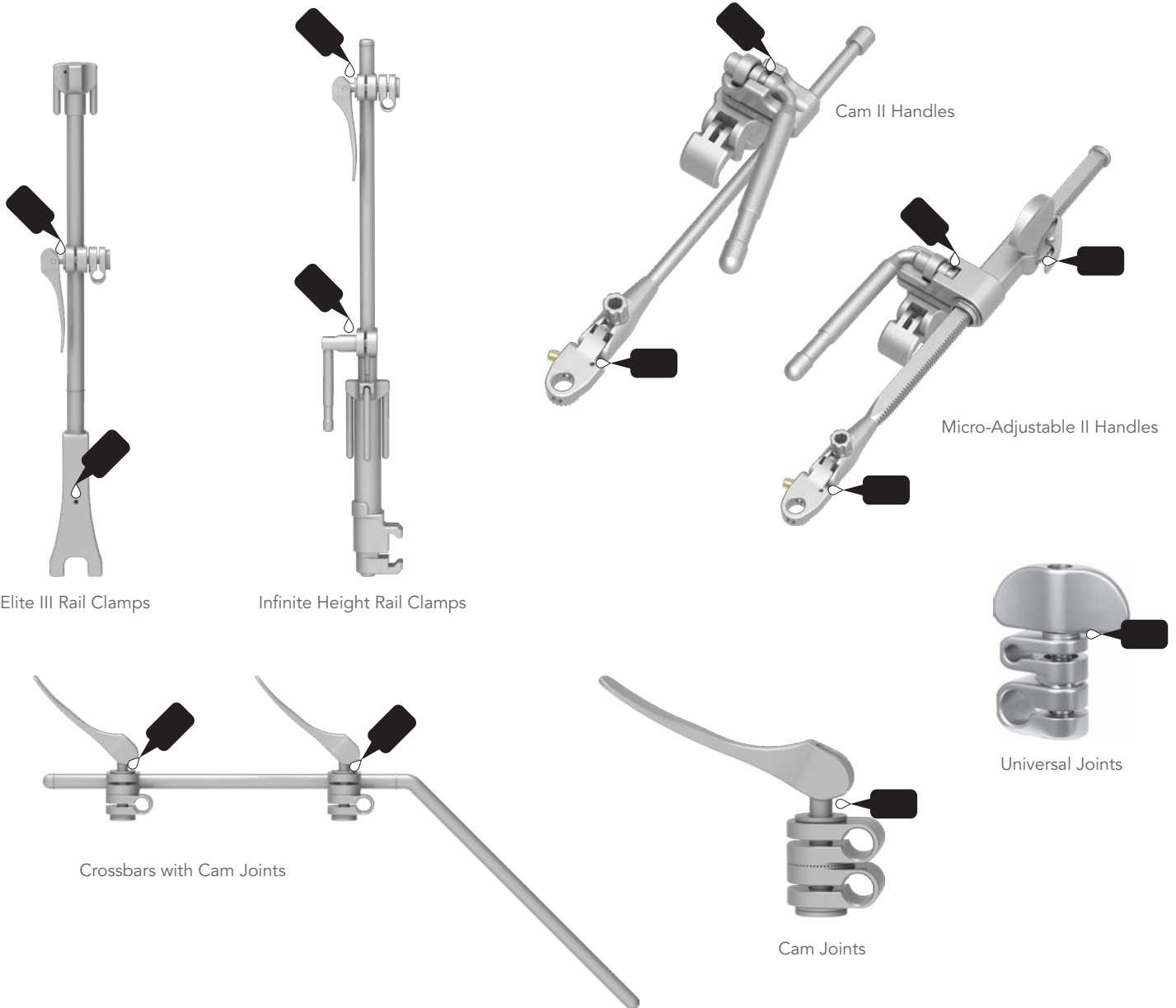


THOMPSON RETRACTOR LUBRICATION INSTRUCTIONS

In order to keep your Thompson Retractor components working properly, LUBRICATE ALL MOVING MECHANISMS on instruments with a steam penetrable, water-soluble product after every cleaning cycle, prior to sterilization.

Examples of areas which may require special attention include the features pictured below. Please refer to individual part laser markings. Automated lubrication application processes may not be effective.



**Thompson**
SURGICAL INSTRUMENTS
10341 East Cherry Bend Road
Traverse City, Michigan 49684
phone: 231.922.0177
fax: 231.922.0174
thompsonsurgical.com

For a Free Trial Call **1-800-227-7543** *

* Free trial valid for U.S. customers only. Customers outside the U.S.A., please call +1-231-922-0177 for availability.

© 2020 Thompson Surgical Instruments, Inc.

® S-Lock®, PLA®, and the Thompson "T Circle" logomark  are Registered Trademarks of Thompson Surgical Instruments, Inc.
Patents: tpat.com

EC REP

Emergo Europe
Westervoortsedijk 60
6827 AT Arnhem
THE NETHERLANDS

CE 0297

Rev E
011123
dc lub

**Made In
USA**