


Thompson LitePath™ User Manual:

SET UP INSTRUCTIONS FOR THOMPSON LITEPATH™


Thompson LitePath™ User Manual



Warnings and Precautions:

 **Notice:** See Lumitex IFU for care instructions
The LitePath™ is a sterile, single use piece.

Symbol Legend:

					
Do Not Reuse	Do Not Resterilize	Notice	Warnings / Precautions	Sterilized Using Ethylene Oxide	Single Sterile Barrier



Thompson LitePath Set Up:

STEP 1: LIGHTSOURCE & LITEPATH™

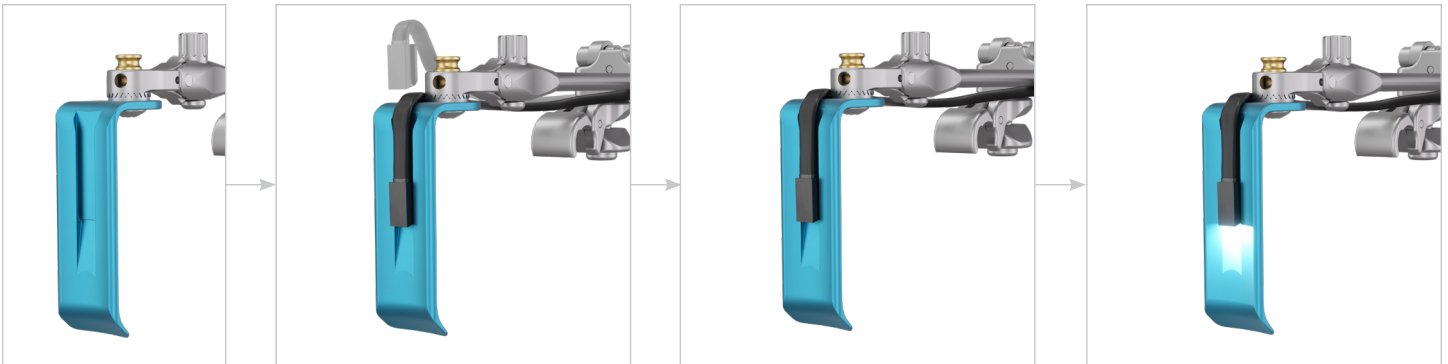
Plug the blue extension cord into the Light Source's port, if extra length is desired. Then insert the LitePath™ connector male end into the Extension Cord's female end.



STEP 2: ASSEMBLY

Assemble Thompson Retractor Handle and Blade, and attach to the Thompson Frame. Then, slide the LitePath's™ metal tip into the groove.

TIP: Attach Retractor Handle and Blade to the Thompson Frame prior to inserting lite into channel.



STEP 3: EXPOSE

Press Light Source's "on" button to illuminate, and expose!

TIP: The LitePath's™ cord is malleable, and may be bent away from the blade to keep it out of the surgical site.



For a Free Trial Call Today*

1.800.227.7543

Rev A
082824
trlpum



Uncompromised Exposure

VISIT US ONLINE: THOMPSONRETRACTOR.COM



Thompson
SURGICAL INSTRUMENTS

10341 East Cherry Bend Road
Traverse City, Michigan 49684

phone: 231.922.0177

fax: 231.922.0174

thompsonretractor.com

EC REP

Emergo Europe

Westervoortsedijk 60

6827 AT Arnhem

THE NETHERLANDS

* Free trial valid for U.S. customers only. Customers outside U.S. please call +1-231-922-0177 for availability.

© 2024 Thompson Surgical Instruments, Inc. Printed in the U.S.A.

® S-Lock®, PLA®, and the "T Circle" logomark are Registered Trademarks of Thompson Surgical Instruments, Inc.

Patents: trpat.com

Note: As we continually strive to provide the best products possible, some of the images in this document may appear slightly different from the product received.

CE 0297

Made In
USA