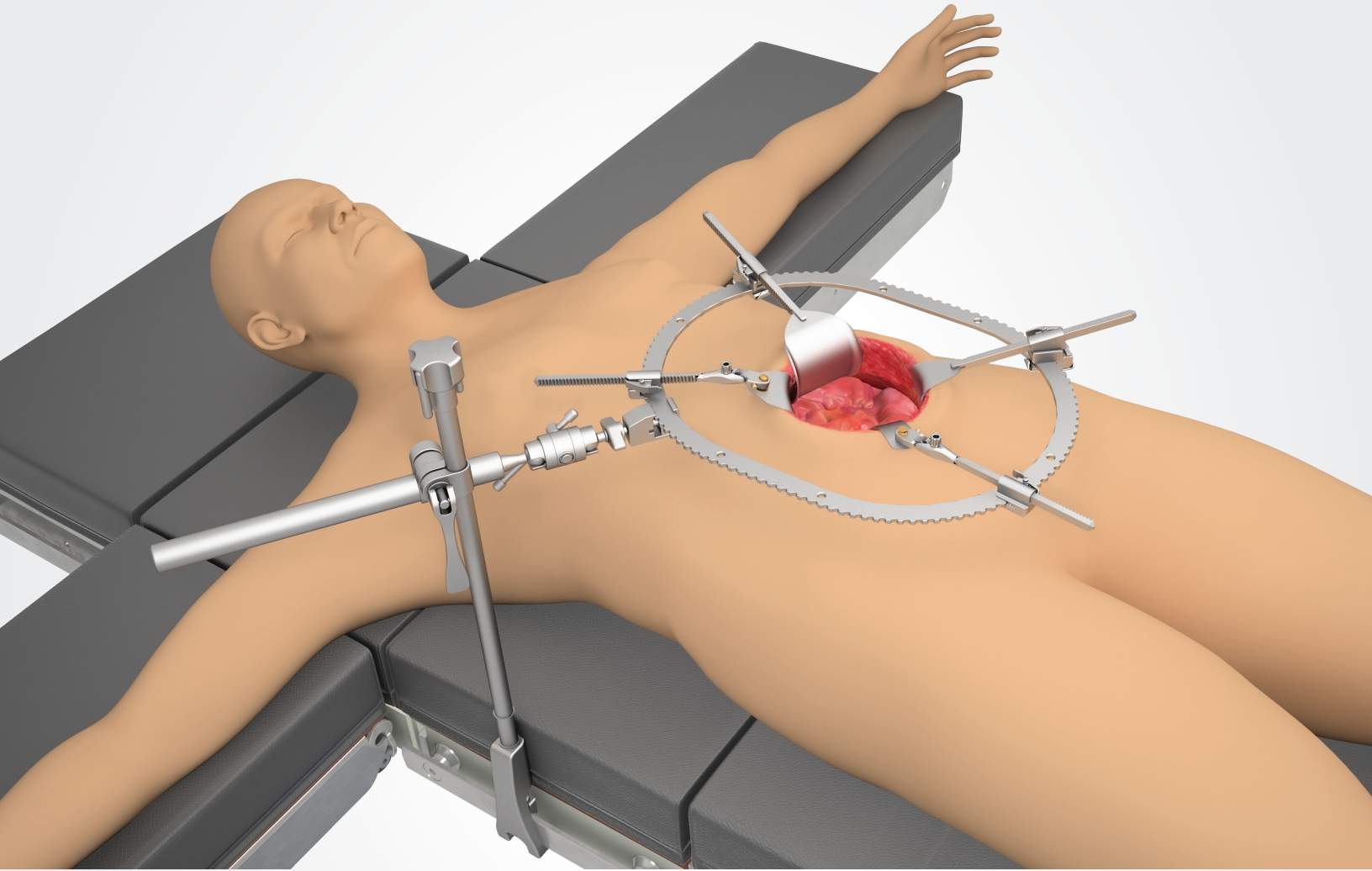


NEW the Thompson RingTrack™ System combines Thompson Retractor quality and innovation with a ratchet-style ring retractor.



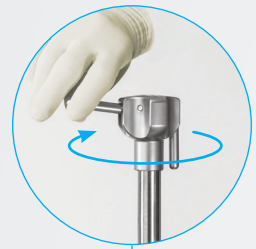
Uncompromised Exposure™ with the **Thompson RingTrack™ Retractor System**

NEW RingTrack™ Retractor System

Quick, Uncompromised Exposure for abdominal procedures. The ratcheted ring frame allows for quick attachment of handles around the surgical site while providing the surgeon with an unobstructed view of the working area.

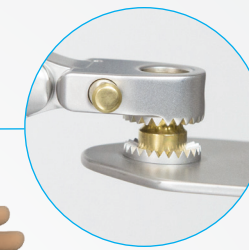
The Thompson RingTrack™ System functions similarly to other ratcheted rings, with the option to add Thompson's patented S-Lock® and Quick Angle features.

Thompson Retractor Exclusive Features: Thompson is dedicated to offering the most forward thinking, proven, and high quality features. These exclusive, often patented, features define Thompson and allow for Uncompromised Exposure.



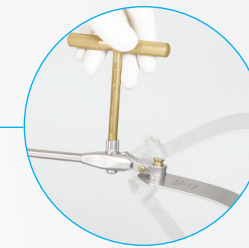
Elite III Rail Clamp

Our newest Elite Rail Clamp is faster and lighter than ever before. Mounts and adjusts within the sterile field.



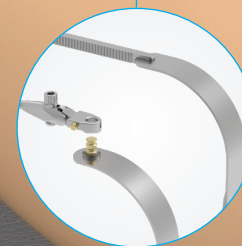
NEW S-Lock® Technology

Swivel 360° or lock blade in any position. Easily switch from 'swivel' to 'locked' with the push of a button.



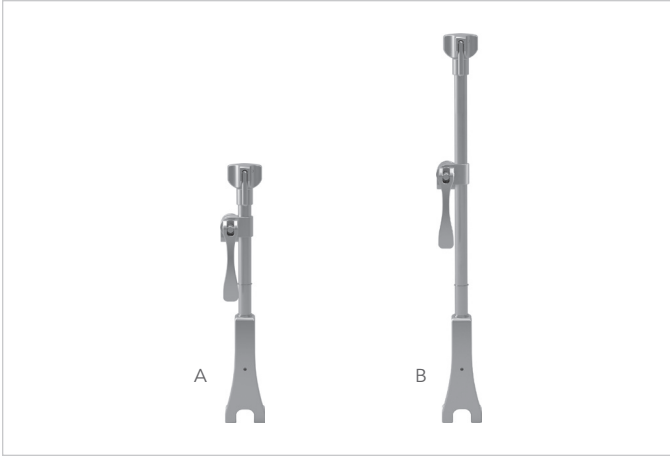
NEW Quick Angle Handles

Blades are quickly and precisely angled in or out 45° with fingers or T-Handle.



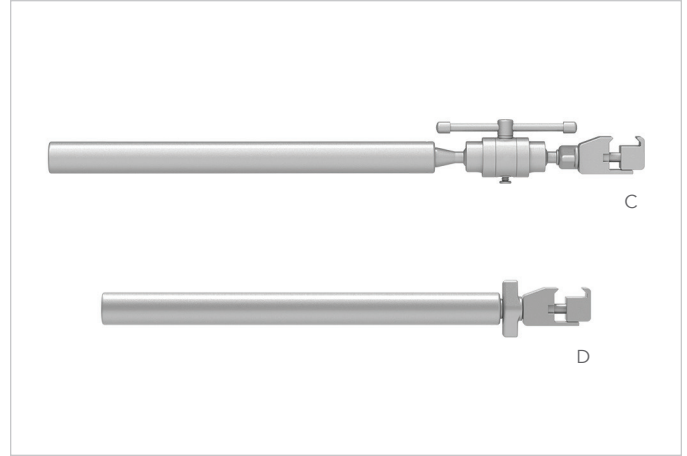
Versatility

Option to use traditional fixed retractors, or upgrade to S-Lock® Quick Angle handles, which may be used with any Thompson SL blade style.



ELITE III RAIL CLAMPS

REF	ITEM DESCRIPTION	PART #
A	RingTrack Elite III Rail Clamp 11" with 1 Cam Joint	47902ACS
	RingTrack Elite III Rail Clamp 16" with 1 Cam Joint	47902ACL
B	RingTrack Elite III Rail Clamp 18" with 1 Cam Joint	47902AC
	RingTrack Elite III Rail Clamp 22" with 1 Cam Joint	47904AC
	RingTrack Elite III Rail Clamp 26" with 1 Cam Joint	47906AC



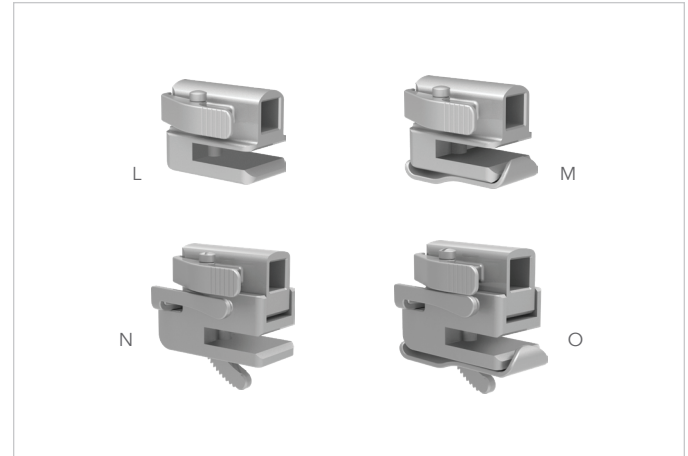
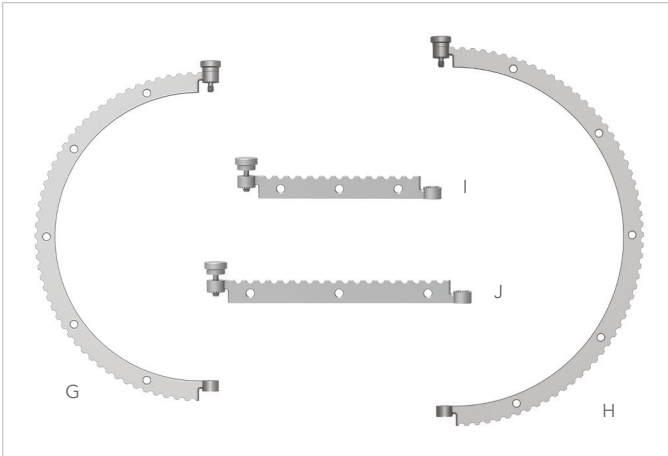
HORIZONTAL BARS

REF	ITEM DESCRIPTION	PART #
C	RingTrack Articulating Horizontal Bar 18 ½"	47400
D	RingTrack Horizontal Bar 14 ¼"	47437



EXTENSION BAR + JOINT

REF	ITEM DESCRIPTION	PART #
E	RingTrack Extension Bar 12"	47402
F	RingTrack Cam III Joint 1" x 1"	47403

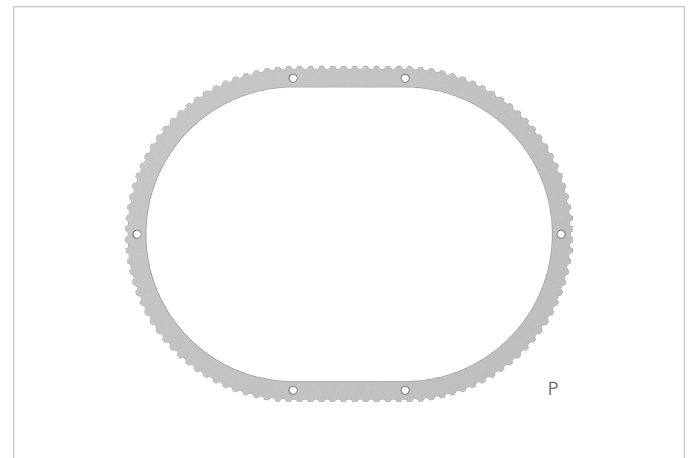
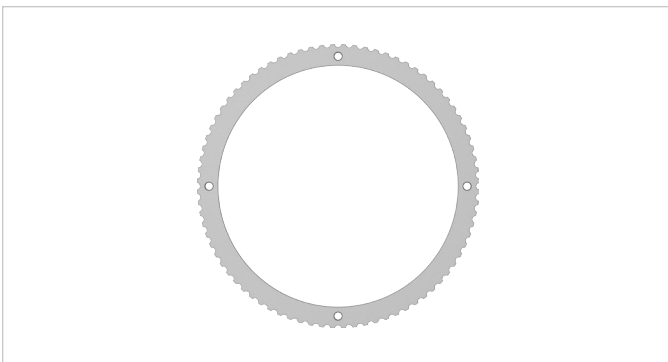


SEGMENTED RINGS

REF	ITEM DESCRIPTION	PART #
	RingTrack Round Ring Small Half 8 ½"	47416
G	RingTrack Round Ring Medium Half 10 ½"	47418
H	RingTrack Round Ring Large Half 12 ½"	47420
	RingTrack Straight Segment 4 ½"	47430
I	RingTrack Straight Segment 6"	47432
J	RingTrack Straight Segment 8"	47434

RATCHETS

REF	ITEM DESCRIPTION	PART #
L	RingTrack Ratchet	47440
M	RingTrack Ratchet with Clip	47441
N	RingTrack Angling Ratchet	47442
O	RingTrack Angling Ratchet with Clip	47443



ROUND RINGS

REF	ITEM DESCRIPTION	PART #
K	RingTrack Round Ring Small 8 ½"	47404
	RingTrack Round Ring Medium 10 ½"	47406
	RingTrack Round Ring Large 12 ½"	47408

OVAL RINGS

REF	ITEM DESCRIPTION	PART #
	RingTrack Oval Ring Small 8" x 12 ¼"	47410
P	RingTrack Oval Ring Medium 10 ½" x 14 ½"	47412
	RingTrack Oval Ring Large 12" x 18 ½"	47414



RINGTRACK HARRINGTON BLADE

ITEM DESCRIPTION	PART #
64mm x 152mm (2 1/2" x 6")	46160W



RINGTRACK DEAVER BLADE

ITEM DESCRIPTION	PART #
25mm x 127mm (1" x 5")	46170W



RINGTRACK BALFOUR BLADE

ITEM DESCRIPTION	PART #
[small lips] 83mm x 73mm (3 1/4" x 3")	46141CW



RINGTRACK KELLY BLADE

ITEM DESCRIPTION	PART #
51mm x 64mm (2" x 2 1/2")	46128W



RINGTRACK GELPI BLADE

ITEM DESCRIPTION	PART #
1/2"	47115W



RINGTRACK MALLEABLE BLADES

REF	ITEM DESCRIPTION	PART #
A	38mm x 152mm (1 1/2" x 6")	46120BW
	51mm x 165mm (2" x 6 1/2")	46112W
	76mm x 165mm (3" x 6 1/2")	46113W



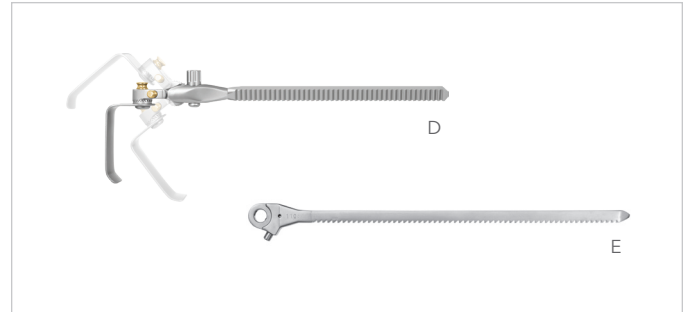
RINGTRACK MINI RICHARDSON BLADES

REF	ITEM DESCRIPTION	PART #
B	19mm x 25mm (¾" x 1")	46125W
	19mm x 51mm (¾" x 2")	46125AW



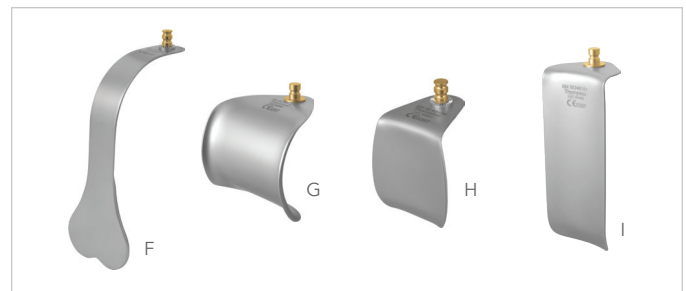
RINGTRACK RICHARDSON BLADES

REF	ITEM DESCRIPTION	PART #
	44mm x 51mm (1 ¾" x 2")	46149W
	51mm x 76mm (2" x 3")	46154W
	51mm x 102mm (2" x 4")	46150W
C	51mm x 127mm (2" x 5")	46151W
	51mm x 152mm (2" x 6")	46152W



S-LOCK + INTERCHANGEABLE RATCHET HANDLES (USED WITH BLADES SHOWN BELOW)

REF	ITEM DESCRIPTION	S-LOCK PART #	INTERCH. PART #
D	Quick Angle 8"	SL45005G	45005G
	Quick Angle 10"	SL45005GL	45005GL
E	10" (non-angling)	SL45005L	45005L



S-LOCK + INTERCHANGEABLE BLADES

REF	ITEM DESCRIPTION	S-LOCK PART #	INTERCH. PART #
F	Harrington 64mm x 152mm (2 ½" x 6")	SL46160	46160
G	Balfour 83mm x 73mm (3 ¼" x 3")	SO46141C	46141C
	Deaver 25mm x 127mm (1" x 5")	SL46170	46170
H	Kelly 51mm x 64mm (2" x 2 ½")	SL46128	46128
	Malleable 38mm x 152mm (1 ½" x 6")	SL46120B	46120B
	Malleable 51mm x 165mm (2" x 6 ½")	SL46112	46112
	Malleable 76mm x 165mm (3" x 6 ½")	SO46113	46113
	Richardson 19mm x 25mm (¾" x 1")	SL46125	46125
	Richardson 19mm x 51mm (¾" x 2")	SL46125A	46125A
	Richardson 44mm x 51mm (1 ¾" x 2")	SL46149	46149
	Richardson 51mm x 76mm (2" x 3")	SL46154	46154
	Richardson 51mm x 102mm (2" x 4")	SL46150	46150
I	Richardson 51mm x 127mm (2" x 5")	SO46151	46151
	Richardson 51mm x 152mm (2" x 6")	SO46152	46152



NOTE:

Additional styles and sizes of S-Lock and Interchangeable blades are also available. Call for information.

For a Free Trial Call Today*

1.800.227.7543

Rev B
083023
dc rtsg



Uncompromised Exposure™

VISIT US ONLINE: THOMPSONSURGICAL.COM

CONTACT

Address

Thompson Surgical Instruments, Inc.
10341 E Cherry Bend Rd.
Traverse City, MI 49684
USA

Phone + Fax

Toll Free 1-800-227-7543
Phone 231-922-0177
Fax 231-922-0174

Online

Email info@thompsonsurgical.com
Website www.thompsonsurgical.com

Social



Thompson
SURGICAL INSTRUMENTS

Made In
USA

* Free trial valid for U.S. customers only. Customers outside the U.S.A., please call +1-231-922-0177 for availability.

© 2020 Thompson Surgical Instruments, Inc. Printed in U.S.A.

© S-Lock®, PLA®, and the "T Circle" logomark are Registered Trademarks of Thompson Surgical Instruments, Inc.
Patents: trpat.com. Other patents pending.

Note: As we continually strive to provide the best products possible, some of the images in this document may appear slightly different from the product received.