

Thompson Retractor

Uncompromised Exposure™



Product Catalog

16TH EDITION

THIS PAGE INTENTIONALLY LEFT BLANK

Table of Contents

New Features	4
Thompson Retractor Components	5-23
Thompson Retractor Blades	24-61
Unique System Components.....	62-77
Product Index	78-93
Service and Warranty Information	93
Product Measurement Guide	94-95

NEW Thompson Retractor Features

Faster, Lighter, More Efficient

Thompson's Elite Rail Clamp, unilateral crossbar, and retractor handles have all been updated for improved performance and ease of use.



Thompson is dedicated to providing the most forward thinking, proven, and high quality features.



Elite III Rail Clamps

Sterile, quick tightening knob locks rail clamp to bed securely in half the time, when compared with the Elite II Rail Clamp, while lightweight base design reduces overall weight by 1 pound.



Quick Angle Handles

Versatile, low-profile positioning of blades helps maintain a low-profile operating field and achieve better exposure. Blades can be toed in or out 45° with a T-Handle.



Improved Cam Joints

Now easier to lock and unlock, Cam II Clip-on Handles have been upgraded to include comfort "pinch" joints for easier removal from the frame.

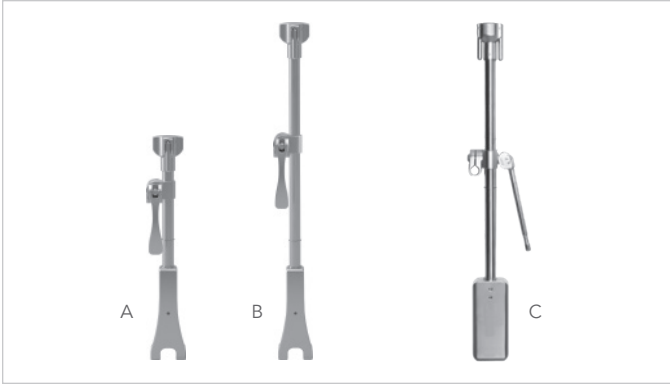


NOTICE:

Elite II Rail Clamps and Angling Handles still available, but may require a longer lead time. Please call for more information.

Thompson Retractor Components

Rail Clamps.....	6-7
Rail Attachments.....	7
Crossbars.....	8
Frame Arms.....	9
Lower Abdominal Bars.....	9
Extension Arms.....	10
Straight Arms.....	10
Rings.....	10
90° Rods.....	11
Upright Arms.....	11
Big-Big Joints.....	12-13
Big-Little Joints.....	14-15
Retractor Handles + Handle Accessories.....	16-19
Illumination.....	20
Accessories.....	21
Instrument Trays.....	22-23

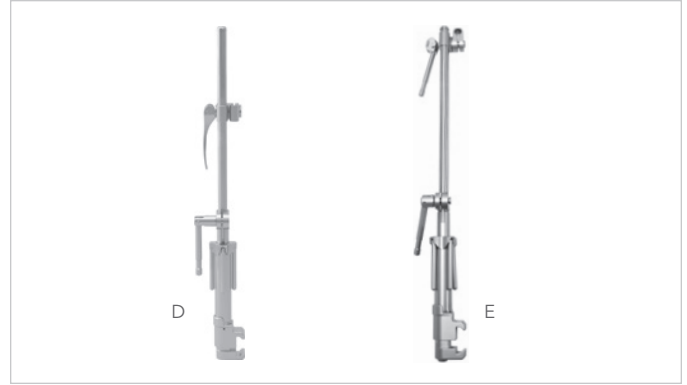


ELITE III RAIL CLAMPS (CURRENT)

REF	ITEM DESCRIPTION	PART #
A	Elite III Rail Clamp 11" (25cm) with 1 Cam Joint	43902ACS
	Elite III Rail Clamp 16" (41cm) with 1 Cam Joint	43902ACL
B	Elite III Rail Clamp 18" (45cm) with 1 Cam Joint	43902AC
	Elite III Rail Clamp 11" (25cm) with 1 (3/8") Cam Joint	43902S
	Elite III Rail Clamp 18" (45cm) with 2 Cam Joints	43903AC
	Elite III Rail Clamp 16" (41cm) with 2 Cam Joints	43903ACL
	Elite III Rail Clamp 22" (55cm) with 1 Cam Joint	43904AC
	Elite III Rail Clamp 22" (55cm) with 2 Cam Joints	43905AC
	Elite III Rail Clamp 26" (65cm) with 1 Cam Joint	43906AC
	Elite III Rail Clamp 26" (65cm) with 2 Cam Joints	43907AC

OLDER GENERATION ELITE RAIL CLAMPS

REF	ITEM DESCRIPTION	PART #
	Elite II Rail Clamp 11" (25cm) with 1 Cam Joint	41902ACS
C	Elite II Rail Clamp 16" (41cm) with 1 Cam Joint	41902ACL
	Elite II Rail Clamp 18" (45cm) with 1 Cam Joint	41902AC
	Elite II Rail Clamp 11" (25cm) with one 3/8" Cam Joint	41902S
	Elite II Rail Clamp 18" (45cm) with 2 Cam Joints	41903AC
	Elite II Rail Clamp 16" (41cm) with 2 Cam Joints	41903ACL
	Elite II Rail Clamp 22" (55cm) with 1 Cam Joint	41904AC
	Elite II Rail Clamp 22" (55cm) with 2 Cam Joints	41905AC
	Elite II Rail Clamp 26" (65cm) with 1 Cam Joint	41906AC
	Elite II Rail Clamp 26" (65cm) with 2 Cam Joints	41907AC



INFINITE HEIGHT RAIL CLAMPS (IHRC) (CURRENT)

REF	ITEM DESCRIPTION	PART #
D	IHRC with 1 Cam Joint 11" - 22"	43902IRC
	IHRC with 2 Cam Joints 11" - 22"	43903IRC

OLDER GENERATION IHRC'S

REF	ITEM DESCRIPTION	PART #
E	IHRC with 1 Cam Joint 11" - 22"	41902IRC
	IHRC with 2 Cam Joints 11" - 22"	41903IRC



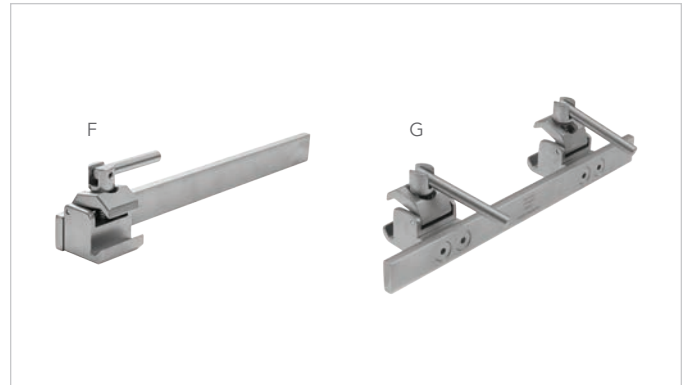
OLDER GENERATION RAIL CLAMPS

ITEM DESCRIPTION	PART #
Power Rail Clamp	41950



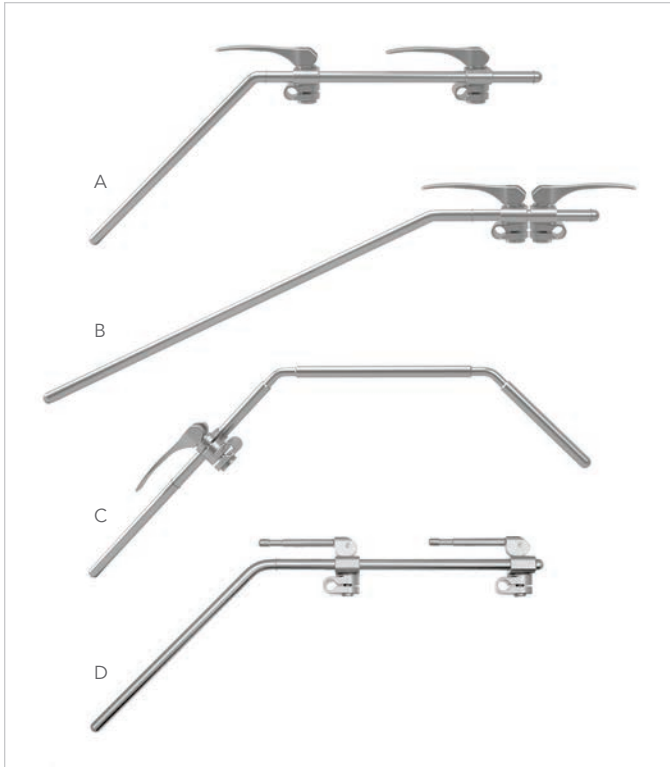
TABLE ADAPTER (CURRENT)

ITEM DESCRIPTION	PART #
Jackson Spine Frame Adapter	41927



RAIL EXTENDERS (CURRENT)

REF	ITEM DESCRIPTION	PART #
F	Rail Extender 15" with 1 Power Rail Clamp	5844
	Rail Extender 15" with 1 Power Rail Clamp (reverse of 5844)	5844B
	Rail Extender 20" with 1 Power Rail Clamp	41938
G	Rail Extender 14" with 2 Power Rail Clamps Offset	41917
	Rail Extender 22" with 2 Power Rail Clamps	41929

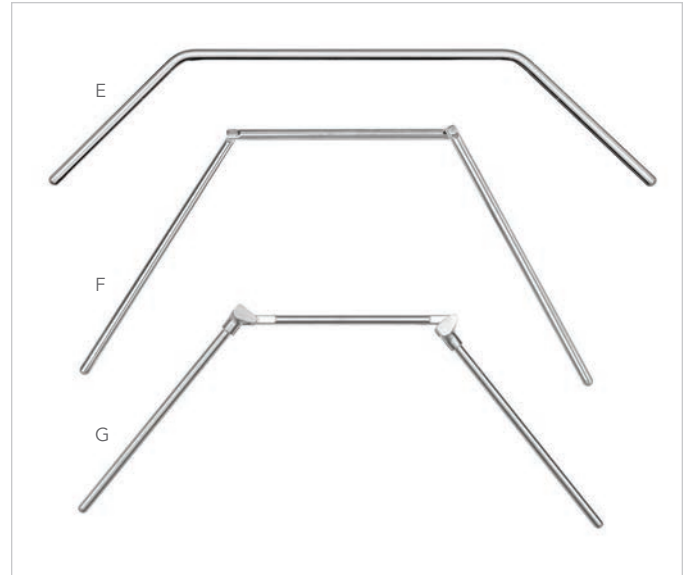


UNILATERAL CROSSBARS (CURRENT)

REF	ITEM DESCRIPTION	PART #
A	Crossbar with 2 Cam III Joints 24" (11" x 13")	43900BC
	Crossbar with 2 Cam III Joints 24" (8" x 16")	43900BCW
B	Crossbar with 2 Cam III Joints (7" x 19 1/2") (in Hip System)	43990
C	Crossbar with 1 Cam III Joint Mini-Incision (in Kidney System)	43800

OLDER GENERATION UNILATERAL CROSSBARS

REF	ITEM DESCRIPTION	PART #
D	Crossbar with 2 Cam Joints 24" (11" x 13")	41900BC
	Crossbar with 2 Cam Joints 24" (8" x 16")	41900BCW
	Crossbar with 2 Adjustable Cam Joints 24"	41900BAC
	Crossbar with 2 Cam Joints (7" x 19 1/2") (in Hip System)	41990
	Crossbar with 1 Cam Joint Mini-Incision (in Kidney System)	44800

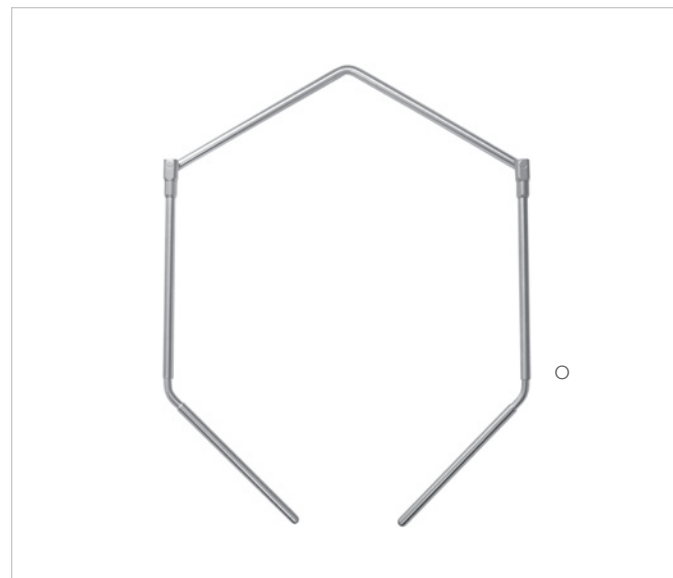
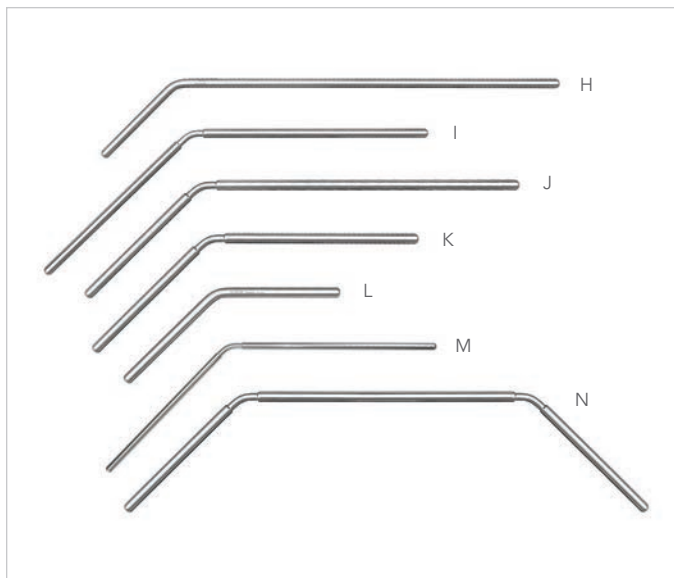


BILATERAL CROSSBARS (CURRENT)

REF	ITEM DESCRIPTION	PART #
E	Bilateral Crossbar 7 1/4" x 13 1/2" x 7 1/4"	41900F
F	34" Bilateral Crossbar Hinged 11 1/2" x 8 1/2" x 11 1/2"	41900PH
	41 1/2" Bilateral Crossbar Hinged 14 1/2" x 10" x 14 1/2"	41900PHL

OLDER GENERATION BILATERAL CROSSBARS

REF	ITEM DESCRIPTION	PART #
G	34" Bilateral Crossbar Hinged 11" x 8 1/2" x 11"	41900H
	41 1/2" Bilateral Crossbar Hinged 14" x 10" x 14"	41900HL
	Bilateral Crossbar with 2 Joints	41900FC



ANGLED LATERAL ARMS (CURRENT)

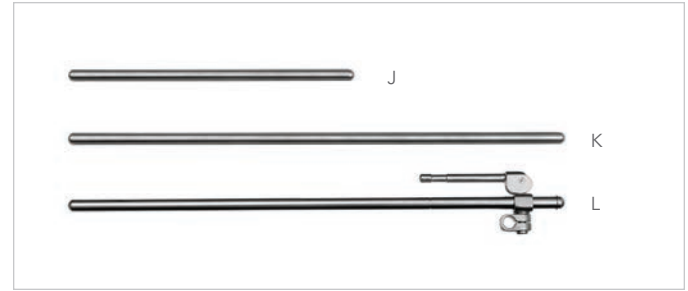
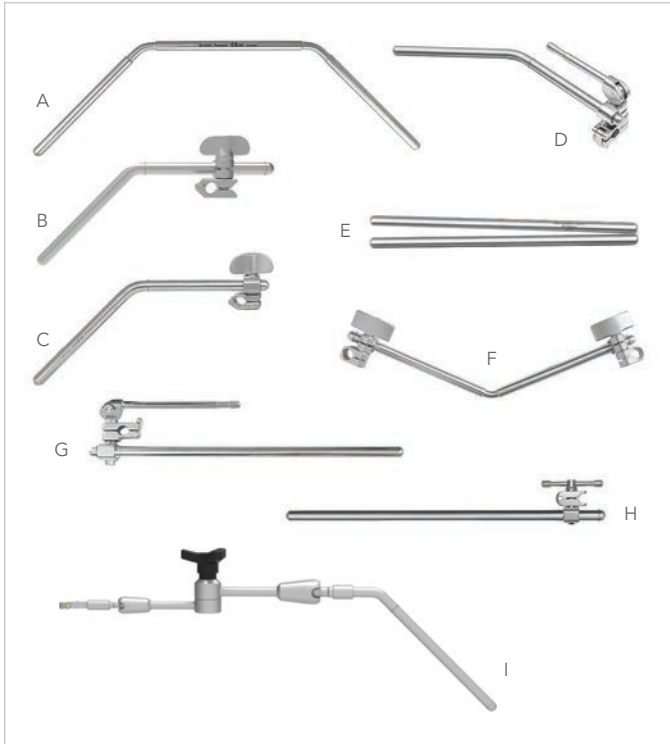
REF	ITEM DESCRIPTION	PART #
H	26" (6" x 20") (15cm x 50cm)	44126
I	24" (11" x 13") (28cm x 33cm)	44124W
J	24" (8" x 16") (20cm x 40cm)	44124N
	20" (10" x 10") (25cm x 25cm)	44120
K	18" (8" x 10") (20cm x 25cm)	44118N
	17" (7" x 10") (25cm x 18cm)	44117N
L	12" (6" x 6") (15cm x 15cm)	44014S
	19" (12" x 7") 3/8" Rod	44119
M	17" (7" x 10") 3/8" Rod	44117
	Double Angled Arm 22" (7" x 9" x 7")	44122DB
N	Double Angled Arm 28" (7 1/4" x 13 1/2" x 7 1/4")	44128DB

LOWER ABDOMINAL BARS (CURRENT)

REF	ITEM DESCRIPTION	PART #
O	Lower Abdominal Bar 14" x 6"	44112SP
	Lower Abdominal Bar 10" x 8"	44111SP
	Lower Abdominal Bar 10" x 6"	44110SP

OLDER GENERATION ANGLED LATERAL ARMS

ITEM DESCRIPTION	PART #
12" (30cm)	44014
12" (30cm)	44014N
24" (61cm)	44124

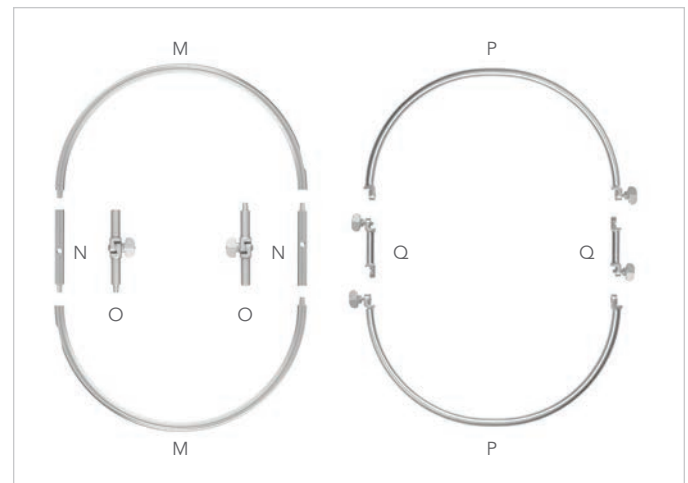


STRAIGHT ARMS (CURRENT)

REF	ITEM DESCRIPTION	PART #
J	Straight Arm 12" (30cm)	44012N
K	Straight Arm 20" (50cm)	44120N
	Straight Arm with 1 Cam Joint 18"	44118C
L	Straight Arm with 1 Cam Joint 20" (50cm)	44120C

EXTENSION ARMS (CURRENT)

REF	ITEM DESCRIPTION	PART #
A	Extension Arm 7 1/2" x 8 1/2" x 7 1/2" (in Kidney System)	44200
B	Extension Arm 12" with Spring Hinge Joint	44012H
C	Extension Arm 12" with Hinge Joint	44014HS
	3/8" Extension Arm 12" with Hinge Joint	44014H
D	Extension Arm 12" with Cam Latch Joint	44014LC
E	Hinged Extension Arm 12" x 12" (30cm x 30cm)	44115
	Angled Closure Arm 9" (4 1/2" x 4 1/2")	44109B
F	Angled Closure Arm 13" (6 1/2" x 6 1/2")	44113B
	Angled Closure Arm 18" (9" x 9")	44118B
	Angled Closure Arm 21" (10 1/2" x 10 1/2")	44121B
G	Extension Arm 14" with Cam Latch Mount	44614LC
H	Extension Arm 14" with Clip Joint	44014C
	Extension Arm 16" with Clip Joint	44016C
	Extension Arm 20" with Clip Joint	44020C
	Extension Arm with Fixed Hinge Joint	44615FH
I	S-Lock Articulating Arm Small 15 1/2"	SL42191



RINGS (CURRENT)

REF	ITEM DESCRIPTION	PART #
M	Ring Frame Half 13 1/2" (2 required for use)	44224 *
N	Ring Extension 4"	44223 *
O	Ring Extension Hinged 4"	44229
P	Ring Half Hinged 14 1/2" (2 required for use.)	44218 **
Q	Ring Extension 3" (2 required for use.)	44220 **

* Hex Tool #60021 (shown on page 61) required for assembly, and 2 Extension Arms #44616EFH (shown on page 61), #44615FH, or #44614LC (shown above, left) required for use. Complete Ring System shown on pages 61 - 63.

** Extension Arm #44614LC (shown above, left) required for use.



90° ROD (CURRENT) *

REF	ITEM DESCRIPTION	PART #
R	90° Collapsible Rod with Grooves	44734

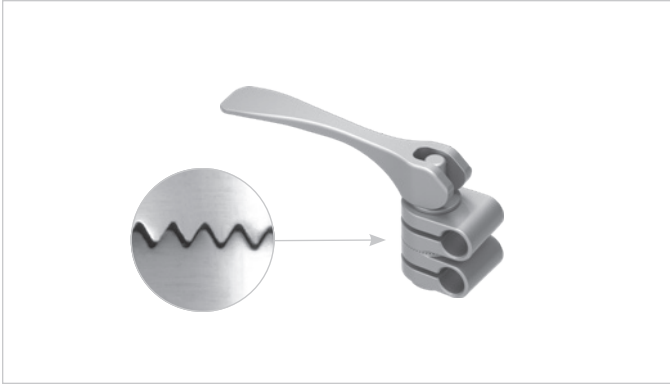
OLDER GENERATION UPRIGHT ARMS

REF	ITEM DESCRIPTION	PART #
S	Upright Arm 20"	44646C
	Upright Arm with Universal Joint 20"	44646N

OLDER GENERATION 90° RODS

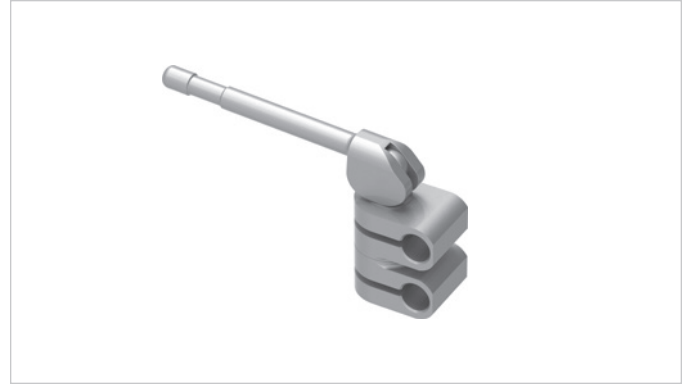
ITEM DESCRIPTION	PART #
90° Collapsible Rod with 1 Cam Joint 14" x 19"	44733C
90° Collapsible Rod with 1 Cam Joint 17" x 19"	44733AC
90° Collapsible Rod with 1 Cam Joint 21" x 21"	44733BC
90° Collapsible Rod 14" x 19"	44733
90° Collapsible Rod 17" x 19"	44733A
90° Collapsible Rod 21" x 21"	44733B
90° Rigid Rod 14" x 19"	40733
90° Rigid Rod 17" x 19"	40733A
90° Rigid Rod 21" x 21"	40733B
90° Rigid Rod 10" x 20"	40732
Extension Arm 90° 10" x 6"	44643

* Current only as part of the Body Contouring System.



CAM III SERRATED SLIDE-ON JOINT (CURRENT) *

ITEM DESCRIPTION	PART #
Cam III Serrated Slide-on Joint 1/2" x 1/2"	43112C



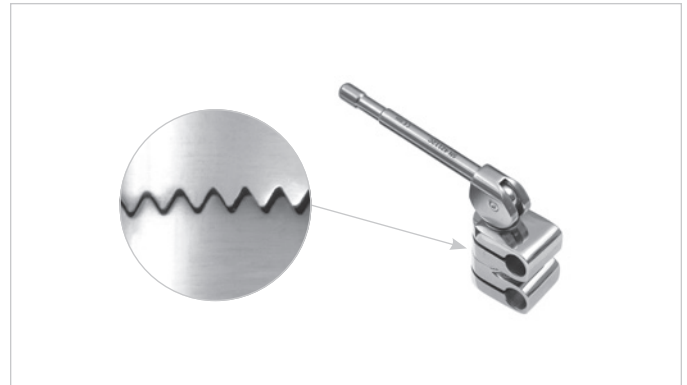
CAM I SLIDE-ON JOINT (CURRENT)

ITEM DESCRIPTION	PART #
Cam I Slide-on Joint 1/2" x 1/2"	42110C



OLDER GENERATION CAM II SLIDE-ON JOINT

ITEM DESCRIPTION	PART #
Cam II Slide-on Joint 1/2" x 1/2"	42110S



OLDER GEN. CAM I SERRATED SLIDE-ON JOINT *

ITEM DESCRIPTION	PART #
Cam I Serrated Slide-on Joint 1/2" x 1/2"	42112C



OLDER GENERATION LATCH CAM JOINT

ITEM DESCRIPTION	PART #
Latch Cam Joint 1/2" x 1/2"	42111LC



OLDER GENERATION SLIDE-ON JOINT

ITEM DESCRIPTION	PART #
Slide-on Joint 1/2" x 1/2"	42110N

* Joint is too wide to slide over elbows on angled arms.



OLDER GENERATION LATCH JOINT

ITEM DESCRIPTION	PART #
Latch Joint 1/2" x 1/2"	42111LN



OLDER GENERATION ONE PIECE UNIVERSAL JOINT

ITEM DESCRIPTION	PART #
Hinged 1/2" x 1/2"	42111H



OLDER GENERATION SERRATED UNIVERSAL JOINT *

ITEM DESCRIPTION	PART #
Slide-on 1/2" x 1/2"	42112N



UNIVERSAL SLIDE-ON JOINT (CURRENT)

ITEM DESCRIPTION	PART #
Slide-On Joint 1/2" x 1/4"	42125N



UNIVERSAL CLIP-ON JOINT (CURRENT)

ITEM DESCRIPTION	PART #
Clip-On Joint 1/2" x 1/4"	42126NCP



CAM II CLIP-ON PINCH JOINT (CURRENT)

ITEM DESCRIPTION	PART #
Cam II Clip-On Pinch Joint 1/2" x 1/4"	42126CP



UNIVERSAL HINGE JOINT (CURRENT)

ITEM DESCRIPTION	PART #
One Piece Universal Hinge Joint 1/2" x 1/4"	42126H



UNIVERSAL LATCH JOINT (CURRENT)

ITEM DESCRIPTION	PART #
Screw Down Universal Latch Joint 1/2" x 1/4"	42126LN



UNIVERSAL SLIDE-ON JOINT (CURRENT)

ITEM DESCRIPTION	PART #
Universal Slide-On Joint Reversed 1/4" x 1/2"	42125NM



OLDER GENERATION CAM II CLIP-ON JOINT

ITEM DESCRIPTION	PART #
Cam II Low Profile Clip-On Joint 1/2" x 1/4"	42126C



OLDER GENERATION CAM II SLIDE-ON JOINT

ITEM DESCRIPTION	PART #
Cam II Low Profile Slide-On Joint 1/2" x 1/4"	42125S



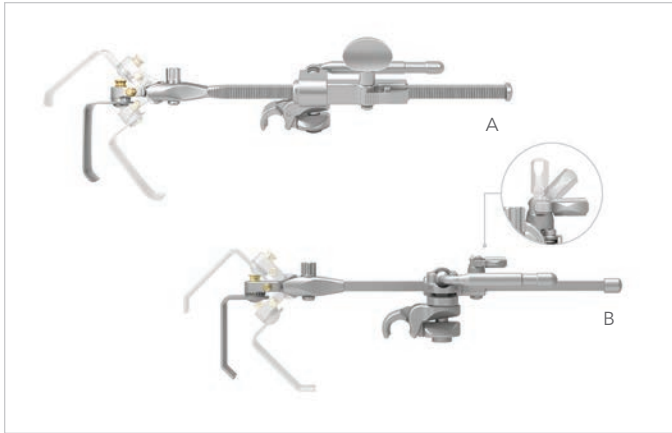
OLDER GENERATION CAM I JOINTS

ITEM DESCRIPTION	PART #
Cam I Slide-On Joint 1/2" x 1/4"	42125C
Cam I Joint 1/2" x 3/8"	42125OC
Cam I Joint 1/4" x 1/4"	42124C



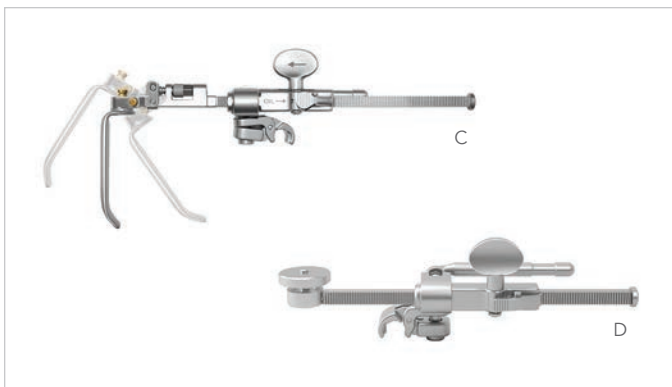
OLDER GENERATION CAM LATCH JOINT

ITEM DESCRIPTION	PART #
Cam Latch Clip-On Joint 1/2" x 1/4"	42126LC



MICRO-ADJUSTABLE II HANDLES (CURRENT)

REF	ITEM DESCRIPTION	S-LOCK PART #	INTERCH. PART #
A	Clip-on Quick Angle 10"	SL45006CGP	45006CGP
	Clip-on Quick Angle 7 3/4"	SL45007CGP	45007CGP
	Clip-on Quick Angle 15"	SL45006CGRP	45006CGRP
	Clip-on Quick Angle 20"	SL45007PGP	45007PGP
B	Mini Clip-on Quick Angle 9"	SL45011CGP	45011CGP
	Clip-on 10 3/4" (non-angling)	SL45006STCP	45006STCP
	Clip-on 8 3/4" (non-angling)	SL45007STCP	45007STCP
	Slide-on Quick Angle 7 3/4"	SL45007STG	45007STG
	Clip-On 10 3/4" Bariatric (non-angling)	—	45006BTCP
	Clip-On 8 3/4" Bariatric (non-angling)	—	45007BTCP



OLDER GENERATION MICRO-ADJUSTABLE II HANDLES

REF	ITEM DESCRIPTION	S-LOCK PART #	INTERCH. PART #
C	Clip-On Angling 10"	SL45006CA	45006CA
	Clip-On Angling 7 3/4"	SL45007CA	45007CA

OLDER GEN. MICRO-ADJ II HANDLES (Continued)

REF	ITEM DESCRIPTION	S-LOCK PART #	INTERCH. PART #
	Clip-On Angling 15"	SL45006CAR	45006CAR
	Clip-On Angling 20 1/2"	SL45007P	45007P
	Clip-On 10 3/4" (non-angling)	SL45006STC	45006STC
	Clip-On 8 3/4" (non-angling)	SL45007STC	45007STC
	Slide-On Angling 10"	SL45006STA	45006STA
	Slide-On Angling 7 3/4"	SL45007STA	45007STA
	Mini Micro Clip-On Angling 8" (cervical use only)	SL45010A	45010A
	Clip-On 15" (non-angling)	—	45006CR
	Clip-On 10 3/4" Bariatric (non-angling)	—	45006BTC
	Clip-On 8 3/4" Bariatric (non-angling)	—	45007BTC
	Slide-On Angling 8"	—	45009CS
	Slide-On 8 3/4" (non-angling)	—	45006ST
	Slide-On 10 3/4" (non-angling)	—	45006CS
	10 3/4" Bariatric (non-angling)	—	45006BS
	Slide-On 10" (non-angling)	—	45006LH
	Slide-On 8 3/4" Bariatric (non-angling)	—	45006BT
	Latch Interchangeable 10"	—	45006CL
	Latch Angling 10"	—	45009CL

OLDER GEN. MICRO-ADJ II ROTATABLE HANDLES

REF	ITEM DESCRIPTION	PART #
	Clip-On Rotatable 10"	45008STCP
D	Clip-On Rotatable 10"	45008STC
	Latch Rotatable 10"	45008C
	Slide-On Rotatable 10"	45008CH
	Slide-On Rotatable 10"	45008CS

OLDER GENERATION MICRO-ADJUSTABLE I HANDLES

ITEM DESCRIPTION	INTERCH. PART #
Universal Slide-on 8 3/4" (non-angling)	45007H
Universal Slide-on Angling 10"	45007AH
Slide-on 10"	45006LHB

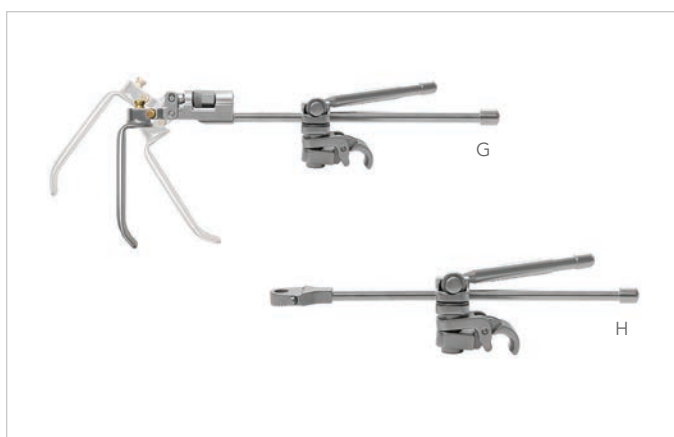


CAM II CLIP-ON HANDLES (CURRENT)

REF	ITEM DESCRIPTION	S-LOCK PART #	INTERCH. PART #
E	Clip-on Quick Angle 8"	SL42126WGP	42126WGP
	Clip-on Quick Angle 10"	SL42126WGLP	42126WGLP
F	Clip-on 8" (non-angling)	SL42126WHP	42126WHP
	Clip-On 10" (non-angling)	SL42126WHLP	42126WHLP
	Clip-on Quick Angle 8" (¾")	SL42127WGP	42127WGP

CAM II CLIP-ON DUAL ANGLE + FREE ANGLE HANDLES (CURRENT)

REF	ITEM DESCRIPTION	S-LOCK PART #	INTERCH. PART #
I	Clip-On Dual Angle 8"	SL42126WDP	42126WDP
J	Clip-On Free Angle 8"	SL42126WFP	42126WFP
K	Hex Tool ⅜" with T-Handle	60021	



OLDER GENERATION CAM II HANDLES

REF	ITEM DESCRIPTION	S-LOCK PART #	INTERCH. PART #
G	Clip-On Angling 8"	SL42126WA	42126WA
	Clip-On Angling 10"	SL42126WAL	42126WAL
	¾" Clip-On Angling 8"	SL42127WA	42127WA
H	Clip-On 8" (non-angling)	SL42126WH	42126WH
	Slide-On Angling 8"	SL42125WA	42125WA
	Slide-On (non-angling) 8"	SL42125WH	42125WH
	Slide-On (non-angling) [½" Handle]	—	42110WH

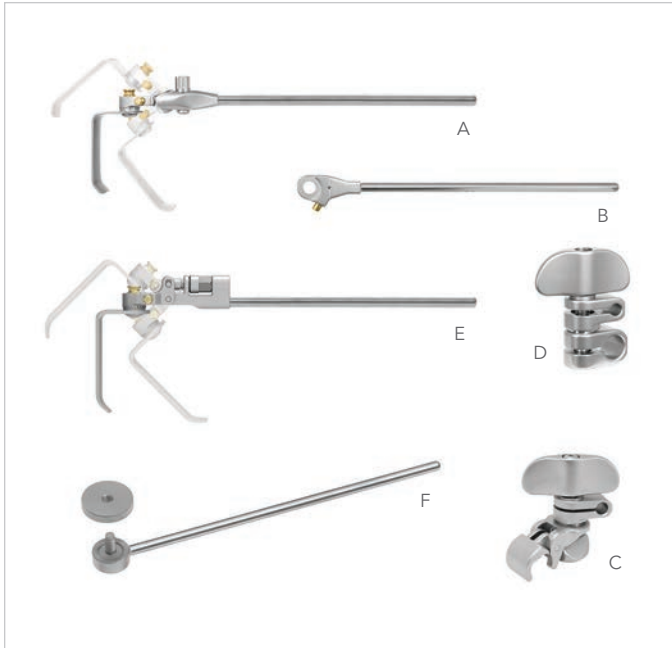
T-HANDLE (CURRENT)

REF	ITEM DESCRIPTION	PART #
L	T-Handle (used with Quick Angle Handles)	60020

OLDER GENERATION WRENCHES

REF	ITEM DESCRIPTION	PART #
M	Angling Head Wrench (used with Angling Handles)	43032
N	Screw Down Wrench (used with Screw Down Joints)	42127

Continued on next page »



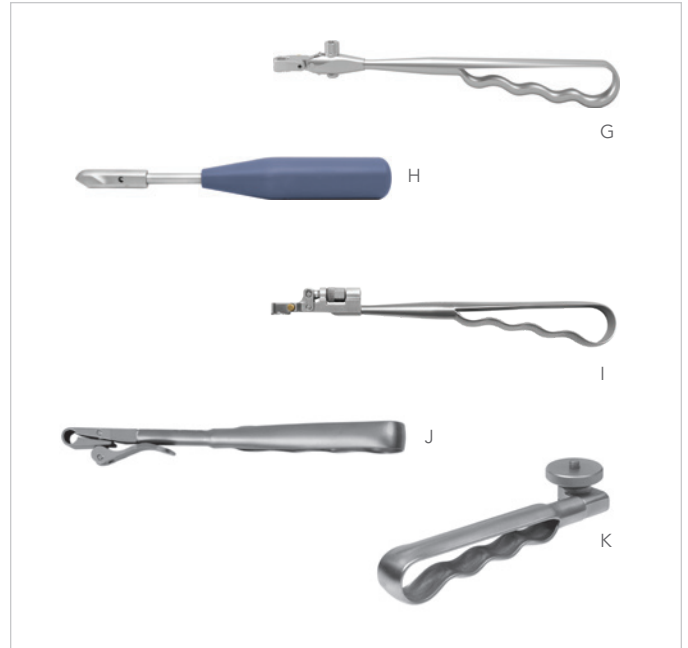
UNIVERSAL JOINTS + HANDLES (CURRENT) *

REF	ITEM DESCRIPTION	S-LOCK PART #	INTERCH. PART #
A	Quick Angle Handle 8"	SL45003GS	45003GS
	Quick Angle Handle 10"	SL45003GSL	45003GSL
B	Handle 8" (non-angling)	SL45003L	45003L
	Handle 10" (non-angling)	SL45003LM	45003LM
C	Clip-on Joint 1/2" x 1/4"		42126NCP
D	Slide-on Joint 1/2" x 1/4"		42125N

OLDER GENERATION HANDLES

REF	ITEM DESCRIPTION	PART #
E	S-Lock Angling Handle 8"	SL45003AS
	S-Lock Angling Handle 10"	SL45003ASL
	Angling Handle 8"	45003AS
	Angling Handle 10"	45003ASL
	S-Lock Handle 8"	SL45003
	Interchangeable Blade Handle 8"	45003
	Angling Retractor Handle	45003A
	Rotatable Handle 6"	45000
F	Rotatable Handle 8"	45001
	Rotatable Handle 10"	45001L

* Additional Big-Little Joint styles shown on pages 14 - 15.



HAND HELD ADAPTERS (CURRENT)

REF	ITEM DESCRIPTION	PART #
G	Quick Angle Hand Held Adapter	SL42128G
H	Manipulator Handle	42228

OLDER GENERATION HAND HELD ADAPTERS

REF	ITEM DESCRIPTION	PART #
I	Angling Hand Held Adapter	SL42128F
J	Locking Cam Hand Held Adapter	42128C
K	Hand Held Adapter	42128

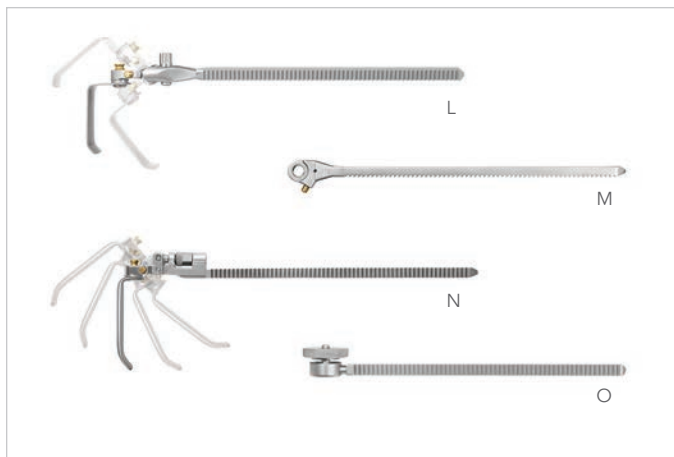


OLDER GEN. REPLACEMENT ROTATABLE KNOB

ITEM DESCRIPTION	PART #
Replacement Knob for Rotatable Handles	4500

Handles for Non-Thompson Systems

The handles on this page allow for Thompson's features and blades to be used with other brands of retractor systems.



RATCHET RETRACTOR HANDLES (CURRENT)

	ITEM DESCRIPTION	S-LOCK PART #	INTERCH. PART #
	Quick Angle 8"	SL45005G	45005G
L	Quick Angle 10 ¼"	SL45005GL	45005GL
M	10 ¼" (non-angling)	SL45005L	45005L

OLDER GENERATION RATCHET RETRACTOR HANDLES

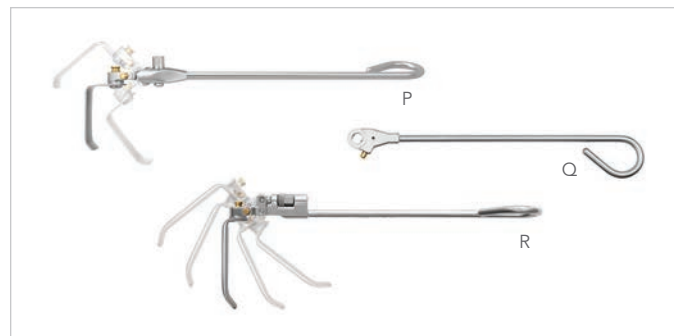
	ITEM DESCRIPTION	PART #
N	S-Lock Angling 10 ¼"	SL45005AL
	Angling 10 ¼"	45005AL
O	Rotatable	45005

RingTrack® components shown on pages 64 - 65.

SynFrame® is a Registered Trademark of DePuy Synthes, Inc.® Thompson® Surgical Instruments, Inc. has no affiliation with the SynFrame® or DePuy Synthes, Inc.®

Omni-Tract® is a Registered Trademark of Integra®. Thompson® Surgical Instruments, Inc. has no affiliation with Omni-Tract® or Integra®.

** Also see standard S-Lock Clip-on Handles.

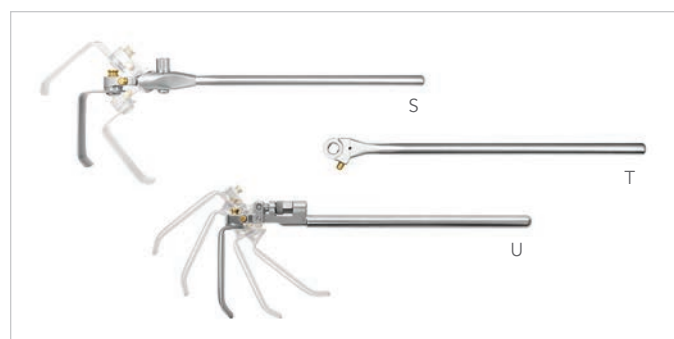


THOMPSON ADAPTER HANDLES FOR SYNFRAME® (CURRENT)

	ITEM DESCRIPTION	S-LOCK PART #	INTERCH. PART #
P	Quick Angle 8 ¾"	SL45014GL	45014GL
Q	8 ¾" (non-angling)	SL45014L	45014L

OLDER GENERATION THOMPSON ADAPTER HANDLES FOR SYNFRAME®

	ITEM DESCRIPTION	S-LOCK PART #	INTERCH. PART #
R	Angling 8 ¾"	SL45014AL	45014AL

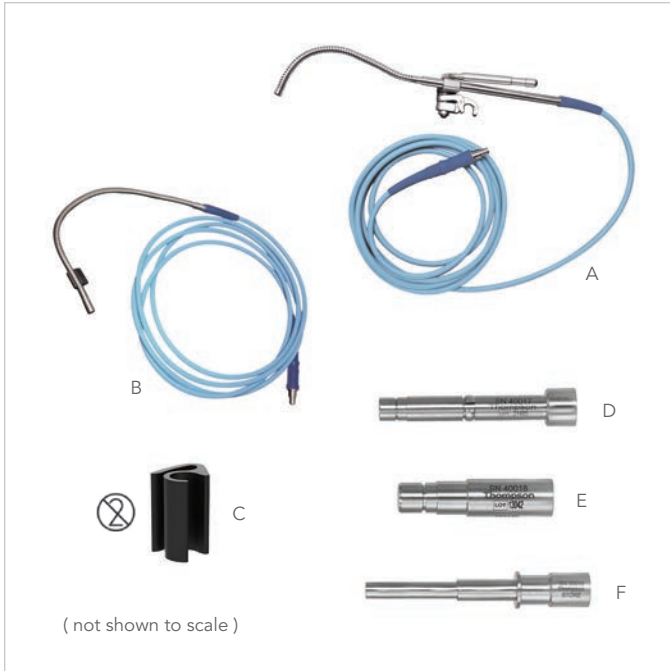


THOMPSON ADAPTER HANDLES FOR OMNI-TRACT® (CURRENT) **

	ITEM DESCRIPTION	S-LOCK PART #	INTERCH. PART #
S	Quick Angle 8 ¾"	SL45004GL	45004GL
T	8 ¾" (non-angling)	SL45004L	45004L

OLDER GENERATION THOMPSON ADAPTER HANDLES FOR OMNI-TRACT®

	ITEM DESCRIPTION	PART #
U	S-Lock Angling 8 ¾"	SL45004AL
	Angling 8 ¾"	45004AL
	Rotatable	45004



XENON * ILLUMINATION (CURRENT)

	ITEM DESCRIPTION	PART #
A	Lite Wand Xe	40020X
B	Retractor Lite Xe **	40020RX
C	Lite Clip - Single Use (Radiopaque)	40024
D	Lite Wand II Olympus Adapter	40017
E	Lite Wand II Wolf Adapter	40018
F	Lite Wand II Storz Adapter	40019

LED ILLUMINATION (CURRENT)

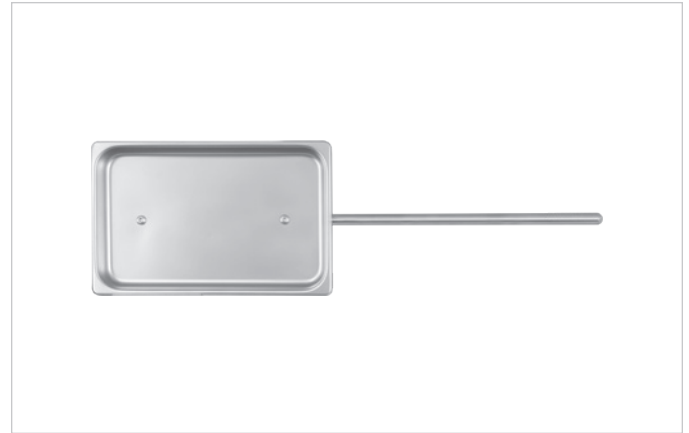
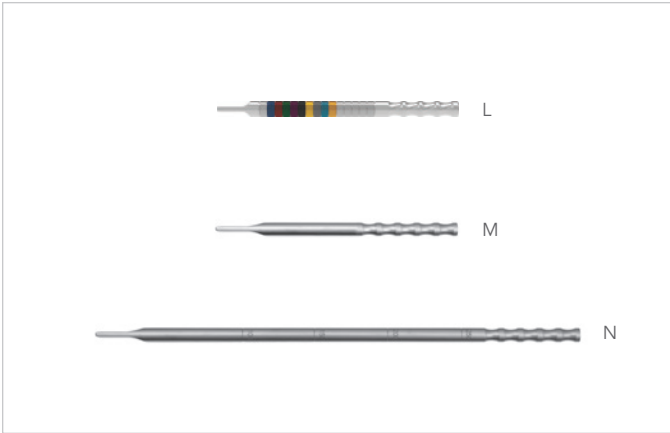
	ITEM DESCRIPTION	PART #
G	Mini Retractor Lite LED (cervical use only)	40002MRL
H	Mini Retractor Lite Clip (Radiopaque)	40026MRL
I	Mini Retractor Lite Clip (Radiopaque) - Reverse	40025MRL
J	PLA MIS Retractor Lite LED (for use with MIS PLA® System only)	40002MIS
K	LED Light Source	LLS-2000-2



LITE / ACCESSORY INSTRUMENT TRAY (CURRENT)

ITEM DESCRIPTION	PART #
6 ¼" x 14" x 2 ½" (plastic)	50000LW

* Xenon light source (not included) required for use.
 * Xenon illumination products do not carry a CE Mark.
 May not be sold in countries where CE Marking required.
 ** Lite Clip (#40024) required for use of Retractor Lite Xe.



DEPTH GAUGES (CURRENT)

	ITEM DESCRIPTION	PART #
L	Anterior Cervical 157.5mm (6 ¼") - Color Coded	46519
M	Anterior Cervical 157.5mm (6 ¼")	46521
N	Anterior Lumbar	51236

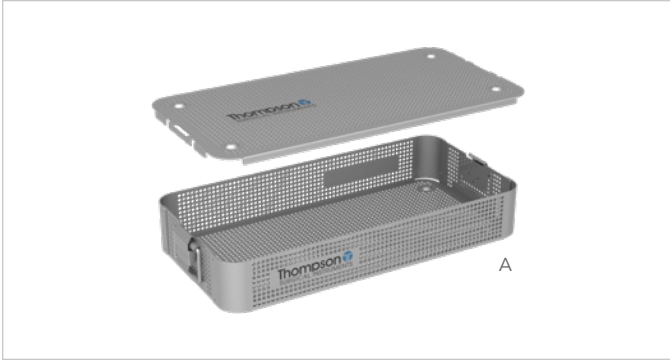
HYSTERECTOMY TRAY (CURRENT)

ITEM DESCRIPTION	PART #
Hysterectomy Tray (Tray 6 ½" x 10 ¼" - Total Length 21")	41933



SALS (CURRENT)

	ITEM DESCRIPTION	PART #
O	Suction for Anterior Lumbar Surgery (SALS)	51234
	Replacement Stylet	51229



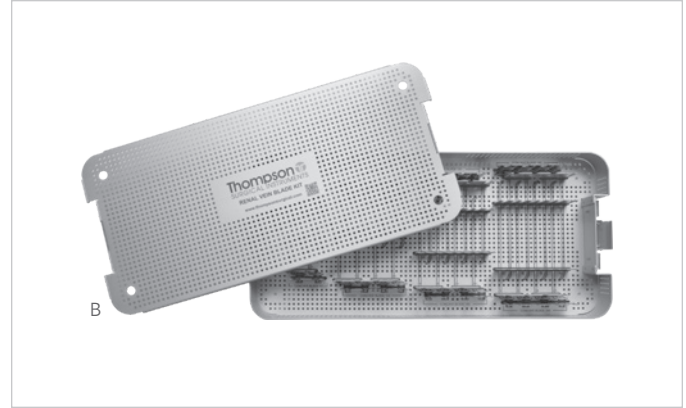
INSTRUMENT CASES (CURRENT)

REF	ITEM DESCRIPTION	PART #
A	22" x 11" x 3 1/2"	50000G
	26" x 10" x 5"	50000BL
	32" x 8" x 3"	50000E
	24" x 16" x 3"	50000W



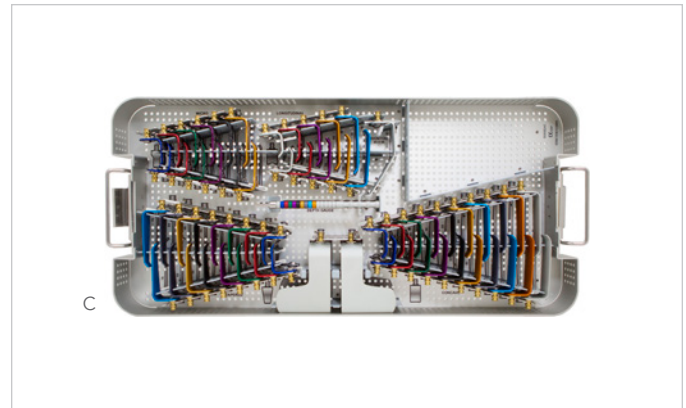
ORGANIZED INSTRUMENT CASES (CURRENT)

ITEM DESCRIPTION	PART #
Accessory - 3 Compartments (23" x 10 3/4" x 2 1/2")	50000A3



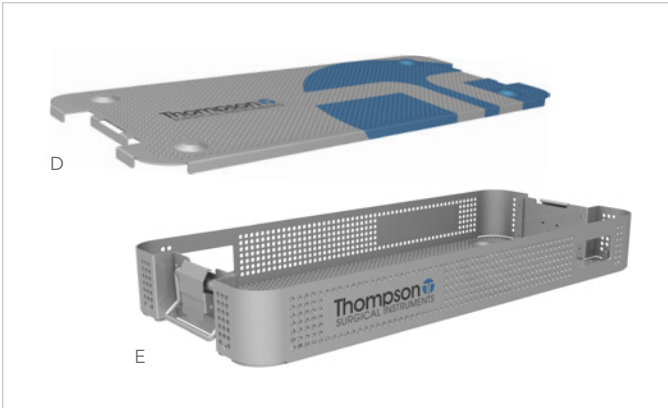
ORGANIZED INSTRUMENT TRAYS - ANTERIOR LUMBAR SPINE (CURRENT)

REF	ITEM DESCRIPTION	PART #
B	AL Renal Vein Blades	50000ALR
	Anterior Lumbar	50000ALT
	Expanded Reverse Lip ASA	50000ERL
	Reverse Lip ASA	50000RLT



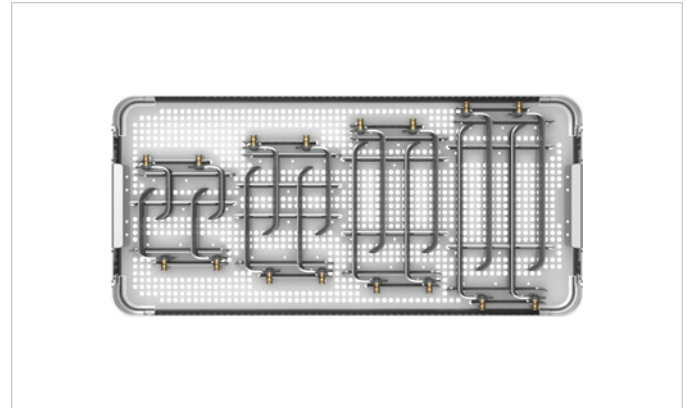
ORGANIZED INSTRUMENT TRAYS - ANTERIOR CERVICAL SPINE (CURRENT)

REF	ITEM DESCRIPTION	PART #
	Anterior Cervical	50000ACT
C	Expanded Anterior Cervical	50000EAC
	Cervical Blade	50000UAC
	Cervical Blade Tray (Insert for 50000UAC)	50000UACT



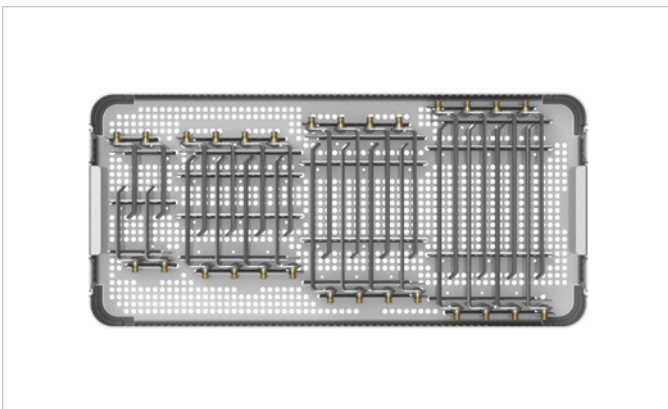
INSTRUMENT TRAY LID AND BASE (CURRENT)

REF	ITEM DESCRIPTION	PART #
D	Instrument Tray Lid	50000L
E	Instrument Tray Base - 1 Level 23 1/2" x 10 1/4" x 3"	50000U1



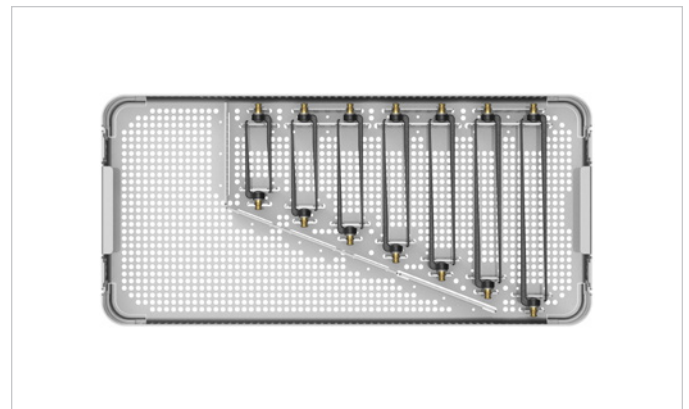
ORGANIZED INSTRUMENT TRAY INSERT (CURRENT)
(#50000U1 and #50000L required for use)

ITEM DESCRIPTION	PART #
Richardson Blades	50000RB



ORGANIZED INSTRUMENT TRAY INSERT (CURRENT)
(#50000U1 and #50000L required for use)

ITEM DESCRIPTION	PART #
Renal Vein Blades	50000RV



ORGANIZED INSTRUMENT TRAY INSERT (CURRENT)
(#50000U1 and #50000L required for use)

ITEM DESCRIPTION	PART #
Fine Vessel Blades	50000FV

Blades

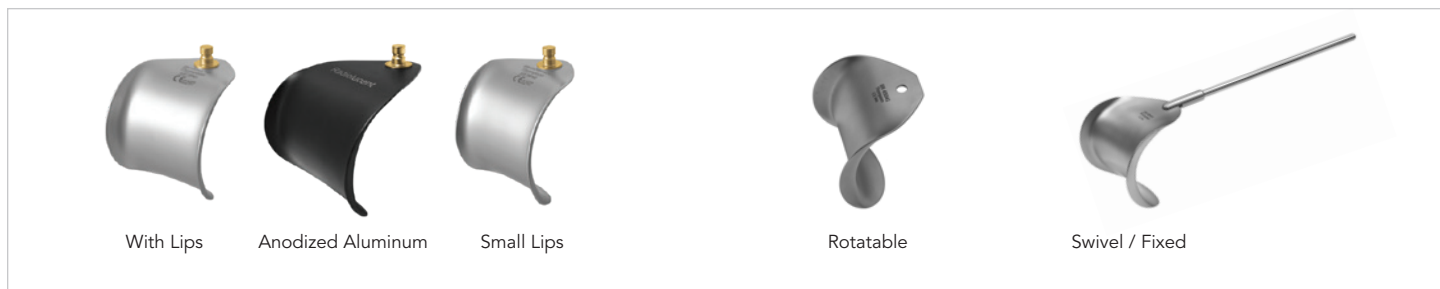
General and Vascular Surgery Blades.....	25-51
Balfour	25-26
Harrington ("Sweetheart").....	27
Weinberg	28
Kelly	28
Splanchnich	29
Fence	29
Malleable	30-32
Mini-Open	32-33
Richardson	33-35
St. Marks	35
Deaver	36
Renal Vein	37-38, 49-50
Fenestrated.....	38
Murphy Rake.....	39
Volkman	39
Aortic Aneurysm	40
Allison Lung	40
Double Angled	41
Heany.....	42
Bladder	42-43
Prostate.....	44
Rectal	45
Anterior Lumbar.....	46-49
Advanced MIS Anterior Lumbar	50-51
Spine Surgery Blades	46-59
Anterior Lumbar.....	46-49
Advanced MIS Anterior Lumbar	50-51
Cervical	52-59
Posterior Lumbar	60-61



BLADE NOTICE:

Non-S-Lock blades may require a longer lead time.
 Many blades also available in aluminum, call for information.

BALFOUR BLADES



ITEM DESCRIPTION	S-LOCK #	INTERCH. #	ROTATABLE #	SWIVEL #	FIXED #
[with lips] 32mm x 32mm (1 ¼" x 1 ¼")	SL46142	46142	45042	45142 *	43142
[with lips] 51mm x 54mm (2" x 2")	SL46142P	46142P	45042P	45142P	43142P
[with lips] 76mm x 51mm (3" x 2")	SL46140P	46140P	45040P	45140P	43140P
[with lips] 70mm x 73mm (2 ¾" x 3")	SO46140	46140	45040	45140	43140 *
[with lips] 83mm x 73mm (3 ¼" x 3")	SO46141	46141	45041	45141	43141 *
[with lips] 83mm x 123mm (3 ¼" x 5")	SO46141D	46141D	45041D	45141D	43141D
[with lips] 83mm x 175mm (3 ¼" x 6 7/8")	SO46141F	46141F	45041F	45141F	43141F
[small lips] 70mm x 73mm (2 ¾" x 3")	SO46140C	46140C	45040C	45140C	43140C
[small lips] 83mm x 73mm (3 ¼" x 3")	SO46141C	46141C	45041C	45141C	43141C
Radiolucent [with lips] 32mm x 32mm (1 ¼" x 1 ¼") [Anodized]	SL46142EB	46142EB	—	—	—
Radiolucent [with lips] 32mm x 32mm (1 ¼" x 1 ¼")	SL46142ET	—	—	—	—
Radiolucent [with lips] 51mm x 51mm (2" x 2") [Anodized]	SL46142PEB	46142PEB	—	—	—
Radiolucent [with lips] 65mm x 72mm (2 ½" x 2 ¾") ANTERIOR LUMBAR USE ONLY	SL46140ET	—	—	—	—
Radiolucent [with lips] 65mm x 72mm (2 ½" x 2 ¾")	SO46140ET	46140ET	45040E	—	—
Radiolucent [with lips] 65mm x 72mm (2 ½" x 2 ¾") [Anodized]	SO46140EB	46140EB	—	—	—
Radiolucent [small lips] 65mm x 72mm (2 ½" x 2 ¾")	SO46140CET	46140CET	45040CE	—	—
Radiolucent [small lips] 65mm x 72mm (2 ½" x 2 ¾") [Anodized]	SO46140CEB	46140CEB	—	—	—
Radiolucent [with lips] 83mm x 70mm (3 ¼" x 2 ¾") ANTERIOR LUMBAR USE ONLY	SL46141ET	—	—	—	—
Radiolucent [with lips] 83mm x 70mm (3 ¼" x 2 ¾")	SO46141ET	46141ET	45041E	—	—
Radiolucent [with lips] 83mm x 70mm (3 ¼" x 2 ¾") [Anodized]	SO46141EB	46141EB	—	—	—
Radiolucent [small lips] 83mm x 70mm (3 ¼" x 2 ¾")	SO46141CET	46141CET	—	—	—
Radiolucent [small lips] 83mm x 70mm (3 ¼" x 2 ¾") [Anodized]	SO46141CEB	46141CEB	—	—	—
Radiolucent [with lips] 83mm x 127mm (3 ¼" x 5")	SO46141DET	—	—	—	—
Radiolucent [with lips] 83mm x 127mm (3 ¼" x 5") [Anodized]	SO46141DEB	46141DEB	—	—	—

* Fixed / Swivel Blades with 6" handle available, add 'S' to front of part number.



NOTICE:

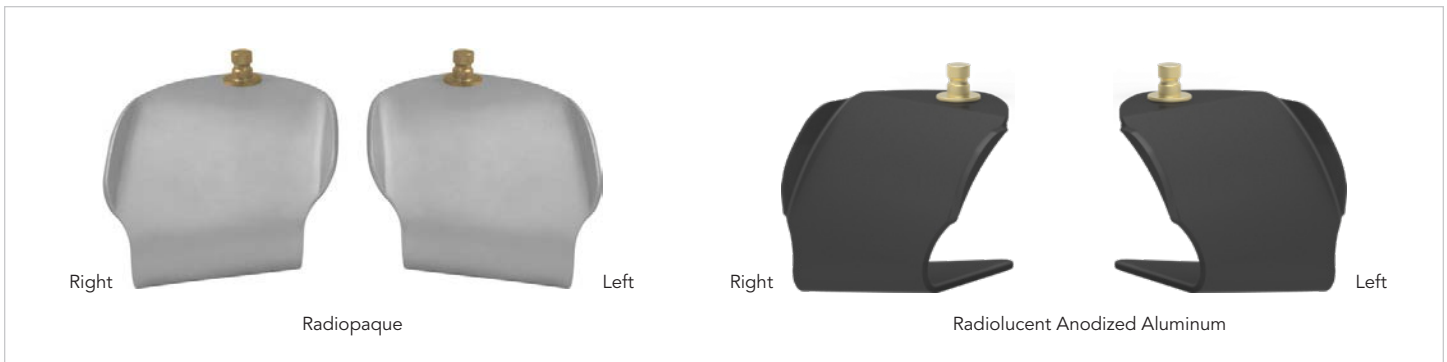
Any Balfour blades may be ordered with small lips or without lips. Call your Thompson representative to order.

WIDE BALFOUR (ROCHARD) BLADES



ITEM DESCRIPTION	S-LOCK #	INTERCH. #	ROTATABLE #	SWIVEL #	FIXED #
83mm x 57mm (3 1/4" x 2 1/4")	SO46241A	46241A	—	—	43241A
100mm x 61mm (4" x 2 3/8")	SO46241B	46241B	—	—	43241B
114mm x 63mm (4 1/2" x 2 1/2")	SO46241C	46241C	—	—	43241C
Radiolucent 83mm x 57mm (3 1/4" x 2 1/4") [Anodized Aluminum]	SO46241AEB	46241AEB	—	—	—
Radiolucent 102mm x 57mm (4" x 2 1/4") [Anodized Aluminum]	SO46241BEB	46241BEB	—	—	—
Radiolucent 114mm x 57mm (4 1/2" x 2 1/4") [Anodized Aluminum]	SO46241CEB	46241CEB	—	—	—

NON-SLIP BALFOUR BLADES



ITEM DESCRIPTION	RIGHT S-LOCK #	LEFT S-LOCK #	RIGHT INTERCH. #	LEFT INTERCH. #
77mm x 94mm (3" x 3 3/4")	SO46170C	SO46171C	46170C	46171C
77mm x 66mm (3" x 2 1/2")	SO46170B	SO46171B	46170B	46171B
Radiolucent 77mm x 94mm (3" x 3 3/4")	SO46170CEB	SO46171CEB	46170CEB	46171CEB
Radiolucent 77mm x 66mm (3" x 2 1/2")	SO46170BEB	SO46171BEB	46170BEB	46171BEB
With Holes 77mm x 94mm (3" x 3 3/4")	SO46169C	SO46168C	46169C	46168C
With Holes 77mm x 66mm (3" x 2 1/2")	SO46169B	SO46168B	46169B	46168B

HARRINGTON (SWEETHEART) BLADES



ITEM DESCRIPTION	S-LOCK #	INTERCH. #	ROTATABLE #	SWIVEL #	FIXED #
38mm x 127mm (1 ½" x 5")	SL46162P	46162P	P45062	45162P	43162P
64mm x 102mm (2 ½" x 4")	SL46165	46165	—	—	43165
64mm x 152mm (2 ½" x 6")	SL46160	46160	45060	45160	43160
64mm x 203mm (2 ½" x 8")	SL46163	46163	45063	45163	43163
64mm x 254mm (2 ½" x 10")	SL46164	46164	45064	45164	43164
114mm x 203mm (4 ½" x 8")	—	46161M	—	—	—
114mm x 254mm (4 ½" x 10")	SL46161	46161	45061	45161	—
38mm x 203mm (1 ½" x 8")	—	46166	—	—	—
Radiolucent 64mm x 152mm (2 ½" x 6") Titanium	SL46160ET	46160ET	—	—	—
Radiolucent 64mm x 152mm (2 ½" x 6") Titanium	SO46160ET	46160ET	—	—	—
Radiolucent 64mm x 152mm (2 ½" x 6") Aluminum	SL46160E	46160E	45060E	—	—
Radiolucent 64mm x 203mm (2 ½" x 8")	SL46163ET	—	—	—	—
Radiolucent 64mm x 254mm (2 ½" x 10")	SL46164ET	—	—	—	—
Radiolucent 64mm x 102mm (2 ½" x 4")	SL46165ET	—	—	—	—

WEINBERG BLADES



ITEM DESCRIPTION	S-LOCK #	INTERCH. #	ROTATABLE #	SWIVEL #	FIXED #
102mm x 152mm (4" x 6")	—	—	—	—	42520 *
83mm x 133mm (3 ¼" x 5 ¼")	—	—	—	—	42521 *
102mm x 203mm (4" x 8")	—	—	—	—	42522 *

* ½" fixed handle requires ½" x ½" joint for use, see pages 12 - 13. (Joint #43112C recommended.)

KELLY BLADES



ITEM DESCRIPTION	S-LOCK #	INTERCH. #	ROTATABLE #	SWIVEL #	FIXED #
38mm x 51mm (1 ½" x 2")	SL46127	46127	45027	45127 *	43127 *
51mm x 64mm (2" x 2 ½")	SL46128	46128	45028	45128	43128 *
64mm x 76mm (2 ½" x 3")	SO46129	46129	45029	45129	43129 *
76mm x 89mm (3" x 3 ½")	SO46130	46130	45030	45130	43130 *
Radiolucent 38mm x 51mm (1 ½" x 2")	SL46127ET	46127ET	—	—	—
Radiolucent 51mm x 64mm (2" x 2 ½")	SL46128ET	46128ET	—	—	—
Radiolucent 64mm x 76mm (2 ½" x 3")	SO46129ET	46129ET	—	—	—
Radiolucent 76mm x 89mm (3" x 3 ½")	SO46130ET	46130ET	—	—	—

* Fixed / Swivel Blades with 6" handle available, add 'S' to front of part number.

SPLANCHNICH BLADES



ITEM DESCRIPTION	S-LOCK #	INTERCH. #	ROTATABLE #	SWIVEL #	FIXED #
51mm x 114mm (2" x 4 1/2")	SL46145	46145	—	45145	—
51mm x 152mm (2" x 6")	SL46146	46146	—	45146	—
Radiolucent 25mm x 152mm (1" x 6")	SL46148ET	46148ET	—	—	—
Radiolucent 25mm x 203mm (1" x 8")	SL46159ET	46159ET	—	—	—
Radiolucent 51mm x 114mm (2" x 4 1/2")	SL46145ET	46145ET	—	—	—
Radiolucent 51mm x 152mm (2" x 6")	SL46146ET	46146ET	—	45145E	—
Radiolucent 51mm x 203mm (2" x 8")	SL46147ET	46147ET	—	—	—

FENCE BLADES



ITEM DESCRIPTION	S-LOCK #	INTERCH. #	ROTATABLE #	SWIVEL #	FIXED #
102mm x 102mm (4" x 4")	SO46134	46134	45034	45134	43134
102mm x 127mm (4" x 5")	SO46135	46135	45035	45135	43135
102mm x 152mm (4" x 6")	SO46136	46136	45036	45136	43136
102mm x 203mm (4" x 8")	SO46136A	46136A	45036A	—	—
Radiolucent 102mm x 102mm (4" x 4")	SO46134ET	46134ET	—	—	—
Radiolucent 102mm x 127mm (4" x 5")	SO46135ET	46135ET	—	—	—
Radiolucent 102mm x 152mm (4" x 6")	SO46136ET	46136ET	—	—	—
Radiolucent 102mm x 203mm (4" x 8")	SO46136AET	46136AET	—	—	—

MALLEABLE BLADES



ITEM DESCRIPTION	S-LOCK #	INTERCH. #	ROTATABLE #	SWIVEL #	FIXED #
25mm x 110 mm (1" x 4 5/16") *	SL45656A	45656A	—	—	—
13mm x 90mm (1/2" x 3 1/2") *	SL45657A	45657A	—	—	—
13mm x 64mm (1/2" x 2 1/2")	SL46115	46115	45015	45115	—
13mm x 152mm (1/2" x 6")	SL46116	46116	45016	45116	—
13mm x 203mm (1/2" x 8")	SL46117	46117	45017	45117	—
25mm x 203mm (1" x 8")	SL46118	46118	45018	45118	43118
25mm x 104mm (1" x 4")	SL46118P	46118P	P45018	45118P	—
25mm x 254mm (1" x 10")	SL46118A	46118A	45018A	45118A	—
38mm x 254mm (1 1/2" x 10")	SL46118B	46118B	45018B	—	—
25mm x 127mm (1" x 5")	SL46119	46119	45019	—	—
51mm x 102mm (2" x 4")	SL46122P	46122P	P45022	45122P	—
51mm x 203mm (2" x 8")	SL46122	46122	45022	45122	43122
51mm x 254mm (2" x 10")	SL46122A	46122A	45022A	45122A	43122A
38mm x 203mm (1 1/2" x 8")	SL46123	46123	45023	45123	—
64mm x 254mm (2 1/2" x 10")	SL46124	46124	45024	45124	43124 **
76mm x 254mm (3" x 10")	SO46124A	46124A	45024A	45124A	43124A
102mm x 254mm (4" x 10")	SO46124B	46124B	45024B	45124B	43124B
Radiolucent 25mm x 110mm (1" x 4 1/2") *	SL45656AT	45656AT	—	—	—
Radiolucent 13mm x 90mm (1/2" x 3 1/2") *	SL45657AT	45657AT	—	—	—
Radiolucent 13mm x 64mm (1/2" x 2 1/2")	SL46115ET	46115ET	—	—	—
Radiolucent 13mm x 152mm (1/2" x 6")	SL46116ET	46116ET	—	—	—
Radiolucent 13mm x 203mm (1/2" x 8")	SL46117ET	46117ET	—	—	—
Radiolucent 25mm x 203mm (1" x 8")	SL46118ET	46118ET	—	—	—
Radiolucent 25mm x 102mm (1" x 4")	SL46118PET	46118PET	—	—	—
Radiolucent 51mm x 254mm (2" x 10")	SL46122AET	46122AET	—	—	—

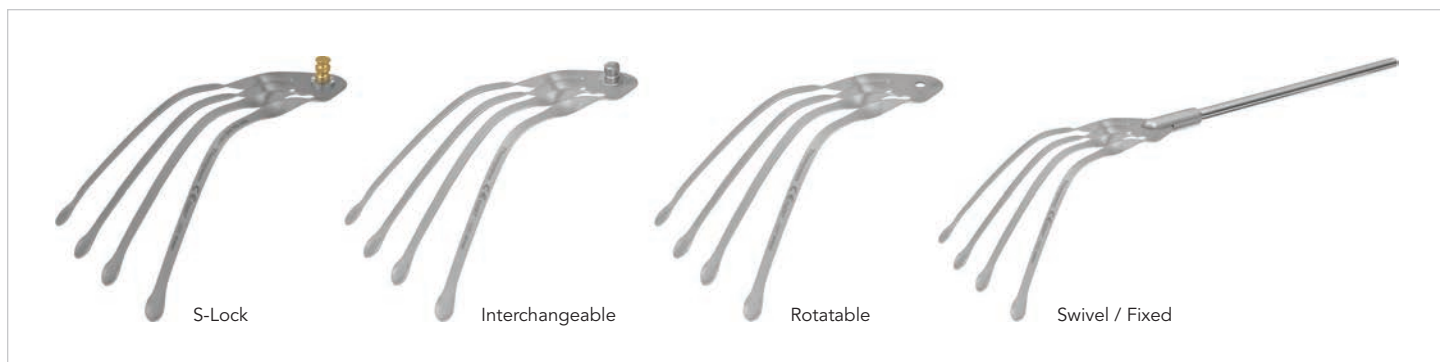
Continued on next page »

MALLEABLE BLADES (Continued)

ITEM DESCRIPTION	S-LOCK #	INTERCH. #	ROTATABLE #	SWIVEL #	FIXED #
Radiolucent 51mm x 203mm (2" x 8")	SL46122ET	46122ET	45022E	—	—
Radiolucent 64mm x 254mm (2 ½" x 10")	SL46124ET	46124ET	—	—	—
Radiolucent 76mm x 254mm (3" x 10")	SO46124AET	46124AET	—	—	—
Radiolucent 102mm x 254mm (4" x 10")	SO46124BET	46124BET	—	—	—
38mm x 102mm (1 ½" x 4")	SL46120	46120	45020	—	—
76mm x 165mm (3" x 6 ½")	SO46113	46113	—	—	—
51mm x 165mm (2" x 6 ½")	SL46112	46112	—	—	—
25mm x 152mm (1" x 6")	SL46119A	46119A	45019A	45119A	—
38mm x 152mm (1 ½" x 6")	SL46120B	46120B	—	—	—
38mm x 127mm (1 ½" x 5")	SL46120A	46120A	—	—	—
25mm x 76mm (1" x 3")	SL46118C	46118C	—	—	—

* Blades are pre-bent; measured from bend to distal end.
 ** Fixed Blade with 6" handle available, add 'S' to front of part number.

MALLEABLE FINGER BLADES



ITEM DESCRIPTION	S-LOCK #	INTERCH. #	ROTATABLE #	SWIVEL #	FIXED #
76mm (3")	SL46191SP	46191SP	—	—	—
102mm (4")	SL46191P	46191P	—	—	—
152mm (6")	SL46191	46191	45091	45191	43191
203mm (8")	SL46191L	46191L	—	—	—
Radiolucent 152mm (6")	SL46191ET	46191ET	—	—	—

MALLEABLE SLOTTED BLADES



ITEM DESCRIPTION	S-LOCK #	INTERCH. #	ROTATABLE #	SWIVEL #	FIXED #
51mm x 203mm (2" x 8")	SL46122V	46122V	—	—	—
76mm x 203mm (3" x 8")	SO46124AV	46124AV	—	—	—
51mm x 165mm (2" x 6 ½")	SL46202	46202	—	—	—
76mm x 165mm (3" x 6 ½")	SO46203	46203	—	—	—

MINI-OPEN MALLEABLE BLADES



ITEM DESCRIPTION	S-LOCK #	INTERCH. #	ROTATABLE #	SWIVEL #	FIXED #
25mm x 75mm (1" x 3")	SL46220	46220	—	—	—
25mm x 100mm (1" x 4")	SL46221	46221	—	—	—
25mm x 125mm (1" x 5")	SL46222	46222	—	—	—

MINI-OPEN DOUBLE ANGLED BLADES



ITEM DESCRIPTION	S-LOCK #	INTERCH. #	ROTATABLE #	SWIVEL #	FIXED #
51mm x 127mm (2" x 5")	SL46224	46224	—	—	—
51mm x 152mm (2" x 6")	SL46225	46225	—	—	—
51mm x 165mm (2" x 6 ½")	SL46226	46226	—	—	—
Deep 51mm x 127mm (2" x 5")	SL46227	46227	—	—	—

MINI-OPEN RICHARDSON BLADES



ITEM DESCRIPTION	S-LOCK #	INTERCH. #	ROTATABLE #	SWIVEL #	FIXED #
51mm x 76mm (2" x 3")	SL46155	46155	45055	—	—
51mm x 76mm (2" x 3")	SO46155	—	—	—	—
51mm x 102mm (2" x 4")	SL46156	46156	—	—	—
51mm x 102mm (2" x 4")	SO46156	—	—	—	—
51mm x 127mm (2" x 5")	SL46157	46157	—	—	—
51mm x 127mm (2" x 5")	SO46157	—	—	—	—
51mm x 152mm (2" x 6")	SL46158	46158	—	45158	—
51mm x 152mm (2" x 6")	SO46158	—	—	—	—

RICHARDSON BLADES



ITEM DESCRIPTION	S-LOCK #	INTERCH. #	ROTATABLE #	SWIVEL #	FIXED #
Radiolucent 50mm x 40mm (2" x 1 1/2")	SL46420ET	46420ET	—	—	—
Radiolucent 50mm x 60mm (2" x 2 3/8")	SL46422ET	46422ET	—	—	—
Radiolucent 50mm x 80mm (2" x 3 1/8")	SL46424ET	46424ET	—	—	—
Radiolucent 50mm x 100mm (2" x 4")	SL46426ET	46426ET	—	—	—
Radiolucent 50mm x 120mm (2" x 4 3/4")	SL46428ET	46428ET	—	—	—
Radiolucent 50mm x 140mm (2" x 5 1/2")	SL46430ET	46430ET	—	—	—
Radiolucent 50mm x 160mm (2" x 6 1/4")	SL46432ET	46432ET	—	—	—
Radiolucent 50mm x 180mm (2" x 7")	SL46434ET	46434ET	—	—	—
Radiolucent 50mm x 200mm (2" x 7 7/8")	SL46436ET	46436ET	—	—	—
Radiolucent 50mm x 210mm (2" x 8 1/4")	SL46437ET	46437ET	—	—	—
Radiolucent 50mm x 220mm (2" x 8 5/8")	SL46438ET	46438ET	—	—	—
Radiolucent 50mm x 230mm (2" x 9")	SL46439ET	46439ET	—	—	—
Radiolucent 50mm x 240mm (2" x 9 1/2")	SL46440ET	46440ET	—	—	—
Radiolucent 50mm x 250mm (2" x 9 7/8")	SL46441ET	46441ET	—	—	—
Radiolucent 51mm x 76mm (2" x 3")	SL46154ET	—	—	—	—
Radiolucent 51mm x 102mm (2" x 4")	SL46150ET	—	—	—	—
Radiolucent 51mm x 127mm (2" x 5")	SO46151ET	—	—	—	—
Radiolucent 51mm x 152mm (2" x 6")	SO46152ET	—	—	—	—
Radiolucent 51mm x 178mm (2" x 7")	SO46153ET	46153ET	—	—	—
Radiolucent 44mm x 51mm (1 3/4" x 2")	SL46149ET	46149ET	—	—	—
44mm x 51mm (1 3/4" x 2")	SL46149	46149	—	—	—
51mm x 76mm (2" x 3")	SL46154	46154	—	—	—
51mm x 102mm (2" x 4")	SL46150	46150	45050	45150	43150
51mm x 127mm (2" x 5")	SL46151 / SO46151	46151	45051	45151 *	43151 *
51mm x 152mm (2" x 6")	SL46152 / SO46152	46152	45052	45152	43152
51mm x 178mm (2" x 7")	SL46153 / SO46153	46153	45053	45153	—

* Fixed Blade with 6" handle available, add 'S' to front of part number.

Additional lengths available, with a longer lead time. Call for information.

MINI RICHARDSON BLADES



ITEM DESCRIPTION	S-LOCK #	INTERCH. #	ROTATABLE #	SWIVEL #	FIXED #
19mm x 25mm (¾" x 1")	SL46125	46125	—	45125 *	43125 *
19mm x 51mm (¾" x 2")	SL46125A	46125A	—	45125A *	43125A
25mm x 32mm (1" x 1 ¼")	SL46126	46126	—	45126 *	43126 *

* Fixed / Swivel Blades with 6" handle available, add 'S' to front of part number.

Older style Fixed Carotid Blades also available, call for more information.

ST. MARKS BLADES



ITEM DESCRIPTION	S-LOCK #	INTERCH. #	ROTATABLE #	SWIVEL #	FIXED #
[no lip] 64mm x 178mm (2 ½" x 7")	SO46187A	46187A	45087A	—	—
[with lip] 64mm x 178mm (2 ½" x 7")	SO46188	46188	45088	45188	43188
[with lip] 64mm x 140mm (2 ½" x 5 ½")	SO46189	46189	45089	—	—
Radiolucent [with lip] 64mm x 140mm (2 ½" x 5 ½")	SO46189ET	46189ET	—	—	—
Radiolucent [with lip] 64mm x 178mm (2 ½" x 7")	SO46188ET	46188ET	—	—	—

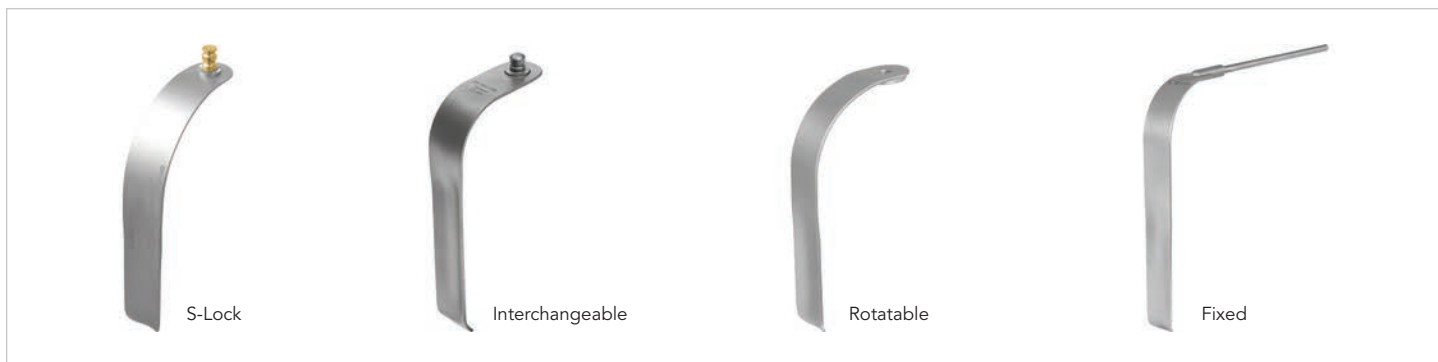
DEAVER BLADES (NON-MALLEABLE)



ITEM DESCRIPTION	S-LOCK #	INTERCH. #	ROTATABLE #	SWIVEL #	FIXED #
25mm x 127mm (1" x 5")	SL46170	46170	45070	45170	43170 *
38mm x 127mm (1 1/2" x 5")	SL46172	46172	45072	45172	43172 *
51mm x 127mm (2" x 5")	SL46174	46174	45074	45174	43174
64mm x 127mm (2 1/2" x 5")	SL46175 / SO46175	46175	45075	45175	43175
76mm x 127mm (3" x 5")	SO46176	46176	45076	45176	43176 *
102mm x 127mm (4" x 5")	SO46178	46178	—	—	—
51mm x 102mm (2" x 4")	—	—	P45074	—	—
Radiolucent 25mm x 127mm (1" x 5")	SL46170ET	46170ET	—	—	—
Radiolucent 38mm x 127mm (1 1/2" x 5")	SL46172ET	46172ET	—	—	—
Radiolucent 51mm x 127mm (2" x 5")	SL46174ET	46174ET	—	—	—
Radiolucent 64mm x 127mm (2 1/2" x 5")	SO46175ET	46175ET	—	—	—
Radiolucent 76mm x 127mm (3" x 5")	SO46176ET	46176ET	45076E	—	—
Radiolucent 76mm x 127mm (3" x 5") ANTERIOR LUMBAR USE ONLY	SL46176ET	—	—	—	—
Radiolucent 102mm x 127mm (4" x 5")	SO46178ET	46178ET	—	—	—
Radiolucent 102mm x 127mm (4" x 5") ANTERIOR LUMBAR USE ONLY	SL46178ET	—	—	—	—

* Fixed Blades with 6" handle available, add 'S' to front of part number.

CONCAVE ROUND NECK RENAL BLADES



ITEM DESCRIPTION	S-LOCK #	INTERCH. #	ROTATABLE #	SWIVEL #	FIXED #
25mm x 140mm (1" x 5 1/2") Rigid	SL46119B	46119B	45019B	—	—
25mm x 191mm (1" x 7 1/2") Rigid	SL46119C	46119C	45019C	—	43119C

MALLEABLE CONCAVE RENAL BLADES

ITEM DESCRIPTION	S-LOCK #	INTERCH. #	ROTATABLE #	SWIVEL #	FIXED #
Radiolucent 25mm x 140mm (1" x 5 1/2") Malleable	SL46119BET	46119BET	45019BE	—	—
Radiolucent 25mm x 190mm (1" x 7 1/2") Malleable	SL46119CET	46119CET	45019CE	—	—

LONG NECK RENAL BLADES



ITEM DESCRIPTION	S-LOCK #	INTERCH. #	ROTATABLE #	SWIVEL #	FIXED #
Radiolucent 25mm x 203mm (1" x 8")	SL46118RET	46118RET	—	—	—
Radiolucent 25mm x 140mm (1" x 5 1/2")	SL46119RET	46119RET	45019RE	—	—
Radiolucent 25mm x 191mm (1" x 7 1/2")	SL46120RET	46120RET	—	—	—
Radiolucent 25mm x 178mm (1" x 7")	—	—	45020RE	—	—
Radiolucent 25mm x 254mm (1" x 10")	SL46121RET	46121RET	45021RE	—	—
Radiolucent 25mm x 305mm (1" x 12")	SL46122RET	46122RET	45022RE	—	—
Radiolucent 25mm x 152mm (1" x 6")	—	46118CET	45018CE	—	—
Radiolucent 51mm x 152mm (2" x 6")	—	46118DET	—	—	—
Radiolucent 51mm x 203mm (2" x 8")	—	46118EET	—	—	—

Renal Blades continued on next page, additional Renal Blades shown with Anterior Lumbar Spine Blades.

MALLEABLE RENAL BLADES



ITEM DESCRIPTION	S-LOCK #	INTERCH. #	ROTATABLE #	SWIVEL #	FIXED #
25mm x 203mm (1" x 8")	SL46118R	46118R	45018R	45118R	43118R

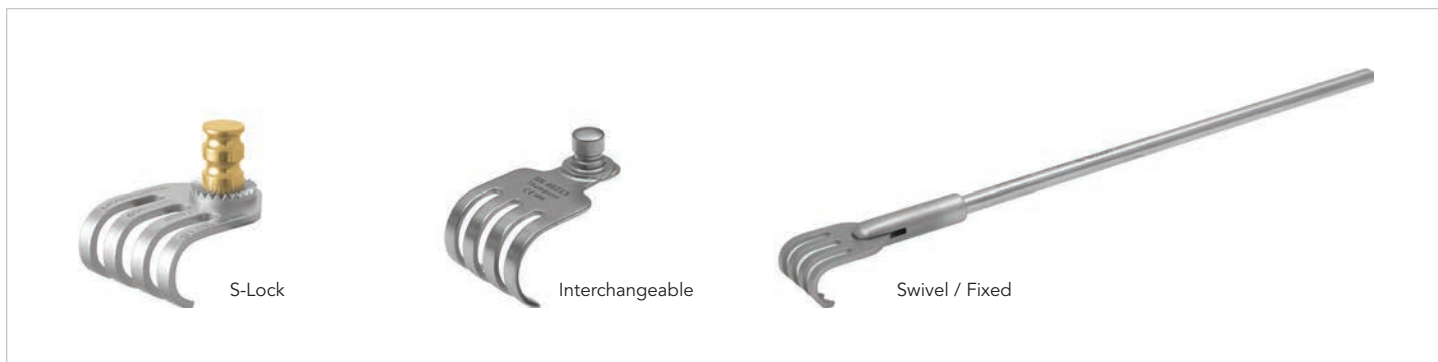
Additional Renal Blades shown on previous page, and with Anterior Lumbar Spine Blades.

FENESTRATED BLADES



ITEM DESCRIPTION	S-LOCK #	INTERCH. #	ROTATABLE #	SWIVEL #	FIXED #
44mm x 89mm (1 3/4" x 3 1/2")	SL46143	46143	—	45143	43143
48mm x 127mm (1 7/8" x 5")	SL46144	46144	—	45144	—

MURPHY RAKE BLADES



ITEM DESCRIPTION	S-LOCK #	INTERCH. #	ROTATABLE #	SWIVEL #	FIXED #
Sharp - 3 Prong 19mm x 13mm (¾" x ½")	SL46216	46216	—	45216	—
Sharp - 4 Prong 25mm x 13mm (1" x ½")	SL46214	46214	—	45214	43214
Blunt - 3 Prong 19mm x 13mm (¾" x ½")	SL46217	46217	—	45217	—
Blunt - 4 Prong 25mm x 13mm (1" x ½")	SL46215	46215	—	45215	—

VOLKMAN BLADES



ITEM DESCRIPTION	S-LOCK #	INTERCH. #	ROTATABLE #	SWIVEL #	FIXED #
Sharp 25mm x 13mm (1" x ½")	SL46210	46210	—	45210	—
Blunt 25mm x 13mm (1" x ½")	SL46211	46211	—	45211	—
Sharp 16mm x 13mm (⅝" x ½")	SL46212	46212	—	45212	—
Blunt 16mm x 13mm (⅝" x ½")	SL46213	46213	—	45213	—

AORTIC ANEURYSM BLADES



ITEM DESCRIPTION	S-LOCK #	INTERCH. #	ROTATABLE #	SWIVEL #	FIXED #
Large 457mm x 229mm (18" x 9")	SO46124C	46124C	45024C	—	—
Small 305mm x 216mm (12" x 8 ½")	SO46124D	46124D	45024D	45124D	—

ALLISON LUNG RETRACTORS



ITEM DESCRIPTION	S-LOCK #	INTERCH. #	ROTATABLE #	SWIVEL #	FIXED #
229mm (9")	SL46183	46183	45083	—	—

DOUBLE ANGLED BLADES



ITEM DESCRIPTION	S-LOCK #	INTERCH. #	ROTATABLE #	SWIVEL #	FIXED #
13mm x 70mm (½" x 2 ¾")	SL46663	46663	—	—	—
13mm x 64mm (½" x 2 ½")	—	—	—	45663Q	—
13mm x 76mm (½" x 3")	SL46662	46662	—	45662Q	—
25mm x 64mm (1" x 2 ½")	SL46661	46661	—	45661Q	—
25mm x 76mm (1" x 3")	SL46660	46660	—	45660Q	—

DOUBLE ANGLED BULB BLADES



ITEM DESCRIPTION	S-LOCK #	INTERCH. #	ROTATABLE #	SWIVEL #	FIXED #
25mm x 64mm (1" x 2 ½")	SL46664	46664	—	—	—

HEAVY BLADES



ITEM DESCRIPTION	S-LOCK #	INTERCH. #	ROTATABLE #	SWIVEL #	FIXED #
25mm x 102mm (1" x 4")	SL46180	46180	45080	—	—
25mm x 127mm (1" x 5")	SL46182	46182	45082	45182	43182 *

* Fixed Blade with 6" handle available, add 'S' to front of part number.

DOUBLE BLADED BLADES



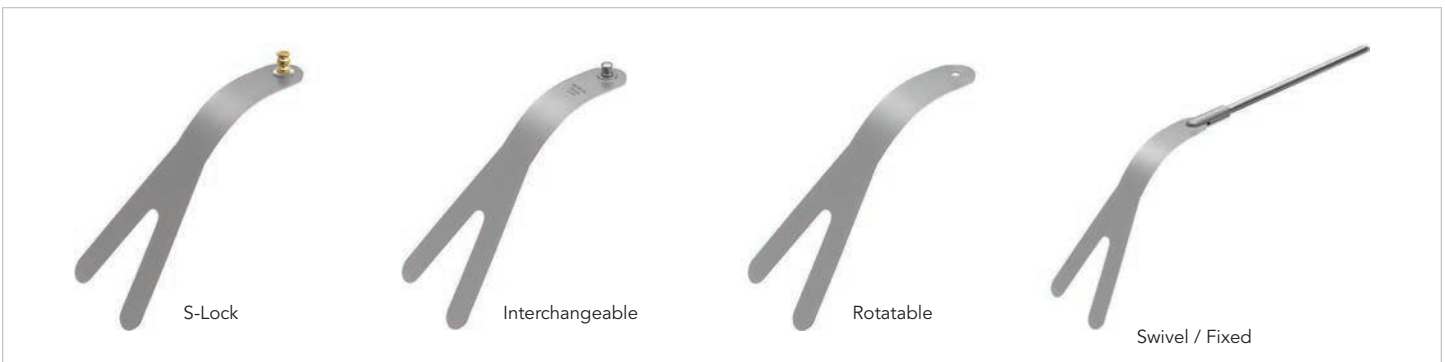
ITEM DESCRIPTION	S-LOCK #	INTERCH. #	ROTATABLE #	SWIVEL #	FIXED #
76mm x 114mm (3" x 4 1/2")	SL46190	46190	45090	45190	43190

HOLTGREWE BLADES



ITEM DESCRIPTION	S-LOCK #	INTERCH. #	ROTATABLE #	SWIVEL #	FIXED #
60mm x 152mm (2 3/8" x 6") Malleable	SL46137	46137	45037	45137	—

"Y" BLADDER BLADES



ITEM DESCRIPTION	S-LOCK #	INTERCH. #	ROTATABLE #	SWIVEL #	FIXED #
81mm x 216mm (3 1/8" x 8 1/2")	SL46139	46139	45039	45139	43139

BLADDER BLADES



ITEM DESCRIPTION	S-LOCK #	INTERCH. #	ROTATABLE #	SWIVEL #	FIXED #
35mm x 89mm (1 3/8" x 3 1/2")	SL46192	46192	—	45192	—

HARRIS PROSTATE RETRACTORS



ITEM DESCRIPTION	S-LOCK #	INTERCH. #	ROTATABLE #	SWIVEL #	FIXED #
8mm (5/16")	SL45753AM	45753AM	—	45665Q	—

MALLEABLE PROSTATE BLADE



ITEM DESCRIPTION	S-LOCK #	INTERCH. #	ROTATABLE #	SWIVEL #	FIXED #
280mm x 40mm (11" x 1 1/2")	—	46223	—	—	—

HILL-FERGUSON RECTAL BLADES



ITEM DESCRIPTION	S-LOCK #	INTERCH. #	ROTATABLE #	SWIVEL #	FIXED #
32mm x 76mm (1 1/4" x 3")	SL46185	46185	—	45185	—
25mm x 64mm (1" x 2 1/2")	SL46186	46186	—	45186	—

RECTAL BLADES



ITEM DESCRIPTION	S-LOCK #	INTERCH. #	ROTATABLE #	SWIVEL #	FIXED #
13mm x 117mm (1/2" x 4 1/2")	SL46187	46187	—	—	—

BRAU REVERSE LIP BLADES



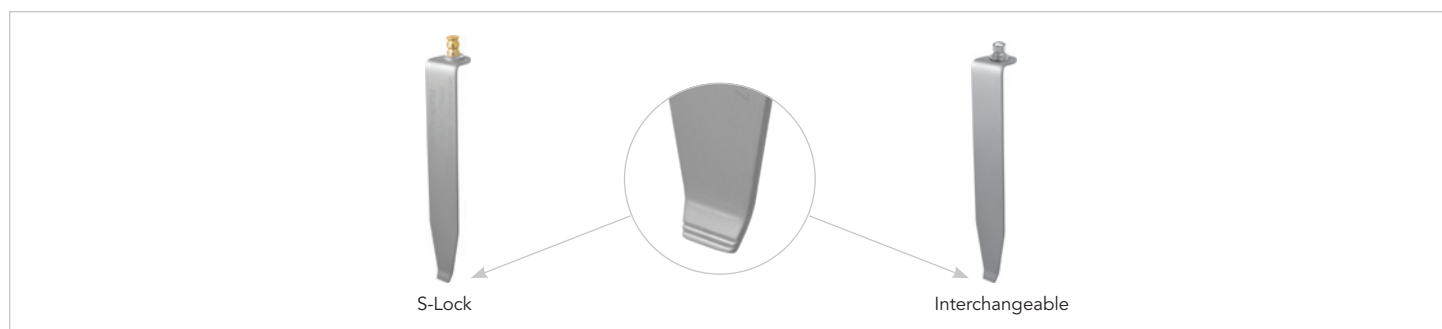
ITEM DESCRIPTION	S-LOCK #	INTERCH. #	ROTATABLE #	SWIVEL #	FIXED #
Radiolucent Rigid 25mm x 80mm (1" x 3 1/8")	SL46258RET	—	—	—	—
Radiolucent Rigid 25mm x 90mm (1" x 3 1/2")	SL46259RET	—	—	—	—
Radiolucent Rigid 25mm x 100mm (1" x 4")	SL46260RET	46260RET	—	—	—
Radiolucent Rigid 25mm x 110mm (1" x 4 3/8")	SL46261RET	46261RET	—	—	—
Radiolucent Rigid 25mm x 120mm (1" x 4 3/4")	SL46262RET	46262RET	—	—	—
Radiolucent Rigid 25mm x 130mm (1" x 5 1/8")	SL46263RET	46263RET	—	—	—
Radiolucent Rigid 25mm x 140mm (1" x 5 1/2")	SL46264RET	46264RET	—	—	—
Radiolucent Rigid 25mm x 150mm (1" x 5 7/8")	SL46265RET	46265RET	—	—	—
Radiolucent Rigid 25mm x 160mm (1" x 6 1/4")	SL46266RET	46266RET	—	—	—
Radiolucent Rigid 25mm x 170mm (1" x 6 5/8")	SL46267RET	46267RET	—	—	—
Radiolucent Rigid 25mm x 180mm (1" x 7")	SL46268RET	46268RET	—	—	—
Radiolucent Rigid 25mm x 190mm (1" x 7 1/2")	SL46269RET	46269RET	—	—	—
Radiolucent Rigid 25mm x 200mm (1" x 7 7/8")	SL46270RET	46270RET	—	—	—
Radiolucent Rigid 25mm x 210mm (1" x 8 1/4")	SL46271RET	46271RET	—	—	—
Radiolucent Rigid 25mm x 220mm (1" x 8 5/8")	SL46272RET	46272RET	—	—	—
Radiolucent Rigid 25mm x 230mm (1" x 9")	SL46273RET	46273RET	—	—	—
Radiolucent Rigid 25mm x 240mm (1" x 9 1/2")	SL46274RET	46274RET	—	—	—
Radiolucent Rigid 25mm x 250mm (1" x 9 7/8")	SL46275RET	46275RET	—	—	—
Radiolucent Rigid 32mm x 100mm (1 1/4" x 4")	SL46280RET	46280RET	—	—	—
Radiolucent Rigid 32mm x 110mm (1 1/4" x 4 3/8")	SL46281RET	46281RET	—	—	—
Radiolucent Rigid 32mm x 120mm (1 1/4" x 4 3/4")	SL46282RET	46282RET	—	—	—
Radiolucent Rigid 32mm x 130mm (1 1/4" x 5 1/8")	SL46283RET	46283RET	—	—	—
Radiolucent Rigid 32mm x 140mm (1 1/4" x 5 1/2")	SL46284RET	46284RET	—	—	—
Radiolucent Rigid 32mm x 150mm (1 1/4" x 5 7/8")	SL46285RET	46285RET	—	—	—
Radiolucent Rigid 32mm x 160mm (1 1/4" x 6 1/4")	SL46286RET	46286RET	—	—	—
Radiolucent Rigid 32mm x 170mm (1 1/4" x 6 5/8")	SL46287RET	46287RET	—	—	—

Continued on next page »

BRAU REVERSE LIP BLADES (Continued)

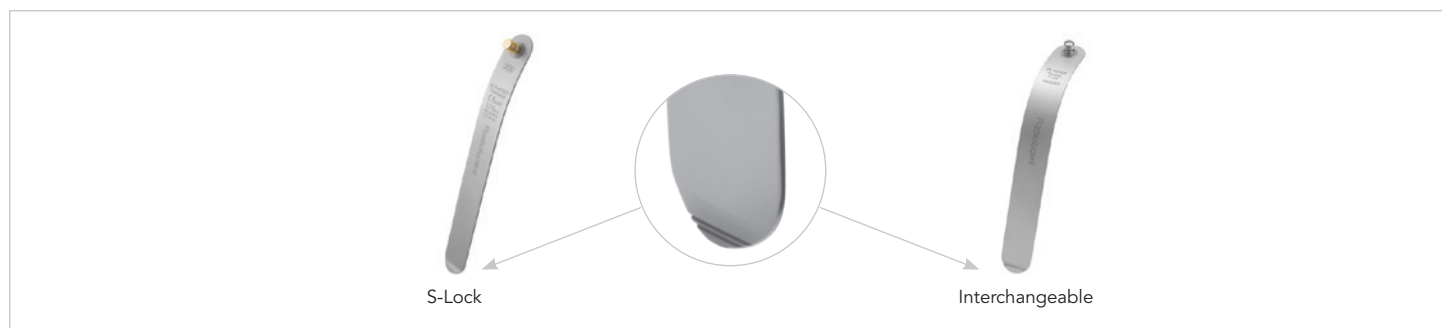
ITEM DESCRIPTION	S-LOCK #	INTERCH. #	ROTATABLE #	SWIVEL #	FIXED #
Radiolucent Rigid 32mm x 180mm (1 ¼" x 7")	SL46288RET	46288RET	—	—	—
Radiolucent Rigid 32mm x 190mm (1 ¼" x 7 ½")	SL46289RET	46289RET	—	—	—
Radiolucent Rigid 32mm x 200mm (1 ¼" x 7 ⅞")	SL46290RET	46290RET	—	—	—
Radiolucent Rigid 32mm x 210mm (1 ¼" x 8 ¼")	SL46291RET	46291RET	—	—	—
Radiolucent Rigid 32mm x 220mm (1 ¼" x 8 ⅝")	SL46292RET	46292RET	—	—	—
Radiolucent Rigid 32mm x 230mm (1 ¼" x 9")	SL46293RET	46293RET	—	—	—
Radiolucent Rigid 32mm x 240mm (1 ¼" x 9 ½")	SL46294RET	46294RET	—	—	—
Radiolucent Rigid 32mm x 250mm (1 ¼" x 9 ⅞")	SL46295RET	46295RET	—	—	—

BRAU REVERSE LIP TAPERED BLADES



ITEM DESCRIPTION	S-LOCK #	INTERCH. #	ROTATABLE #	SWIVEL #	FIXED #
Radiolucent Tapered 25mm x 100mm (1" x 4")	SL46260TET	46260TET	—	—	—
Radiolucent Tapered 25mm x 150mm (1" x 5 ⅞")	SL46265TET	46265TET	—	—	—
Radiolucent Tapered 25mm x 200mm (1" x 7 ⅞")	SL46270TET	46270TET	—	—	—
Radiolucent Tapered 25mm x 250mm (1" x 9 ⅞")	SL46275TET	46275TET	—	—	—

BRAU REVERSE LIP MALLEABLE BLADES



ITEM DESCRIPTION	S-LOCK #	INTERCH. #	ROTATABLE #	SWIVEL #	FIXED #
Radiolucent Malleable 25mm x 200mm (1" x 7 ⅞")	SL46192ET	46192ET	—	—	—
Radiolucent Malleable 32mm x 200mm (1 ¼" x 7 ⅞")	SL46193ET	46193ET	—	—	—

BRAU REVERSE LIP BLADES (LONG NECK)

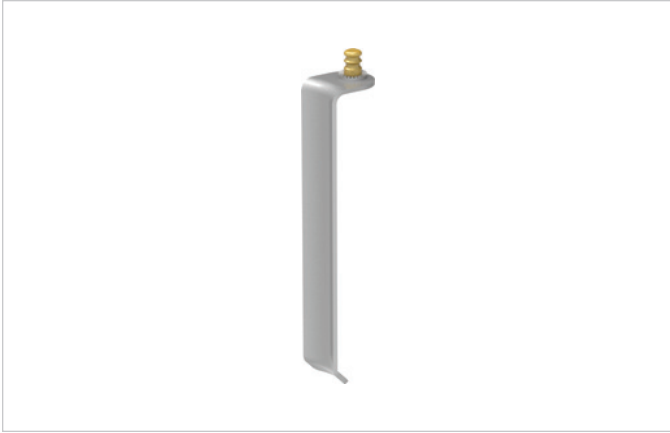


ITEM DESCRIPTION	S-LOCK #	INTERCH. #	ROTATABLE #	SWIVEL #	FIXED #
Radiolucent Rigid 25mm x 100mm (1" x 4")	SL46194RET	46194RET	—	—	—
Radiolucent Rigid 25mm x 150mm (1" x 5 7/8")	SL46195RET	46195RET	—	—	—
Radiolucent Rigid 25mm x 200mm (1" x 7 7/8")	SL46196RET	46196RET	—	—	—
Radiolucent Rigid 32mm x 100mm (1 1/4" x 4")	SL46197RET	46197RET	—	—	—
Radiolucent Rigid 32mm x 150mm (1 1/4" x 5 7/8")	SL46198RET	46198RET	—	—	—
Radiolucent Rigid 32mm x 200mm (1 1/4" x 7 7/8")	SL46199RET	46199RET	—	—	—
Radiolucent Rigid 25mm x 255mm (1" x 10")	SL46200RET	46200RET	—	—	—
Radiolucent Rigid 32mm x 255mm (1 1/4" x 10")	SL46201RET	46201RET	—	—	—
Radiolucent Tapered 25mm x 150mm (1" x 5 7/8")	SL46195TET	46195TET	—	—	—
Radiolucent Tapered 25mm x 200mm (1" x 7 7/8")	SL46196TET	46196TET	—	—	—
Radiolucent Rigid 25mm x 100mm (1" x 4") (flat blade)	SL46194ET	46194ET	—	—	—
Radiolucent Rigid 25mm x 150mm (1" x 5 7/8") (flat blade)	SL46195ET	46195ET	—	—	—
Radiolucent Rigid 25mm x 200mm (1" x 7 7/8") (flat blade)	SL46196ET	46196ET	—	—	—
Radiolucent Rigid 32mm x 100mm (1 1/4" x 4") (flat blade)	SL46197ET	46197ET	—	—	—
Radiolucent Rigid 32mm x 150mm (1 1/4" x 5 7/8") (flat blade)	SL46198ET	46198ET	—	—	—
Radiolucent Rigid 32mm x 200mm (1 1/4" x 7 7/8") (flat blade)	SL46199ET	46199ET	—	—	—
Radiolucent Rigid 25mm x 255mm (1" x 10") (flat blade)	SL46200ET	46200ET	—	—	—
Radiolucent Rigid 32mm x 255mm (1 1/4" x 10") (flat blade)	SL46201ET	46201ET	—	—	—
Radiolucent Rigid Concave 25mm x 200mm (1" x 7 7/8")	SL46196CET	46196CET	—	—	—
Radiolucent Rigid Concave 32mm x 200mm (1 1/4" x 7 7/8")	SL46199CET	46199CET	—	—	—
Radiolucent Rigid Concave 25mm x 255mm (1" x 10")	SL46200CET	46200CET	—	—	—
Radiolucent Rigid Concave 32mm x 255mm (1 1/4" x 10")	SL46201CET	46201CET	—	—	—

CONCAVE SHORT NECK RENAL BLADES



ITEM DESCRIPTION	S-LOCK #	INTERCH. #	ROTATABLE #	SWIVEL #	FIXED #
Radiolucent 25mm x 80mm (1" x 3 1/8")	SL46558	46558	—	—	—
Radiolucent 25mm x 90mm (1" x 3 1/2")	SL46559	46559	—	—	—
Radiolucent 25mm x 100mm (1" x 4")	SL46560	46560	—	—	—
Radiolucent 25mm x 110mm (1" x 4 3/8")	SL46561	46561	—	—	—
Radiolucent 25mm x 120mm (1" x 4 3/4")	SL46562	46562	—	—	—
Radiolucent 25mm x 130mm (1" x 5 1/8")	SL46563	46563	—	—	—
Radiolucent 25mm x 140mm (1" x 5 1/2")	SL46564	46564	—	—	—
Radiolucent 25mm x 150mm (1" x 5 7/8")	SL46565	46565	—	—	—
Radiolucent 25mm x 160mm (1" x 6 1/4")	SL46566	46566	—	—	—
Radiolucent 25mm x 170mm (1" x 6 5/8")	SL46567	46567	—	—	—
Radiolucent 25mm x 180mm (1" x 7")	SL46568	46568	—	—	—
Radiolucent 25mm x 190mm (1" x 7 1/2")	SL46569	46569	—	—	—
Radiolucent 25mm x 200mm (1" x 7 7/8")	SL46570	46570	—	—	—
Radiolucent 25mm x 210mm (1" x 8 1/4")	SL46571	46571	—	—	—
Radiolucent 25mm x 220mm (1" x 8 5/8")	SL46572	46572	—	—	—
Radiolucent 25mm x 230mm (1" x 9")	SL46573	46573	—	—	—
Radiolucent 25mm x 240mm (1" x 9 1/2")	SL46574	46574	—	—	—
Radiolucent 25mm x 250mm (1" x 9 7/8")	SL46575	46575	—	—	—



CONCAVE SHORT NECK RENAL BLADES

ITEM DESCRIPTION	S-LOCK #	INTERCH. #
Radiolucent 25mm x 80mm (1" x 3 1/8")	SL44348	44348
Radiolucent 25mm x 90mm (1" x 3 1/2")	SL44349	44349
Radiolucent 25mm x 100mm (1" x 4")	SL44350	44350
Radiolucent 25mm x 110mm (1" x 4 3/8")	SL44351	44351
Radiolucent 25mm x 120mm (1" x 4 3/4")	SL44352	44352
Radiolucent 25mm x 130mm (1" x 5 1/8")	SL44353	44353
Radiolucent 25mm x 140mm (1" x 5 1/2")	SL44354	44354
Radiolucent 25mm x 150mm (1" x 5 7/8")	SL44355	44355
Radiolucent 25mm x 160mm (1" x 6 1/4")	SL44356	44356
Radiolucent 25mm x 170mm (1" x 6 5/8")	SL44357	44357
Radiolucent 25mm x 180mm (1" x 7")	SL44358	44358
Radiolucent 25mm x 190mm (1" x 7 1/2")	SL44359	44359
Radiolucent 25mm x 200mm (1" x 7 7/8")	SL44360	44360



ADVANCED MIS 18MM RENAL BLADES

ITEM DESCRIPTION	S-LOCK #	INTERCH. #
Radiolucent 18mm x 80mm (3/4" x 3 1/8")	SL44328	44328
Radiolucent 18mm x 90mm (3/4" x 3 1/2")	SL44329	44329
Radiolucent 18mm x 100mm (3/4" x 4")	SL44330	44330
Radiolucent 18mm x 110mm (3/4" x 4 3/8")	SL44331	44331
Radiolucent 18mm x 120mm (3/4" x 4 3/4")	SL44332	44332
Radiolucent 18mm x 130mm (3/4" x 5 1/8")	SL44333	44333
Radiolucent 18mm x 140mm (3/4" x 5 1/2")	SL44334	44334
Radiolucent 18mm x 150mm (3/4" x 5 7/8")	SL44335	44335
Radiolucent 18mm x 160mm (3/4" x 6 1/4")	SL44336	44336
Radiolucent 18mm x 170mm (3/4" x 6 5/8")	SL44337	44337
Radiolucent 18mm x 180mm (3/4" x 7")	SL44338	44338
Radiolucent 18mm x 190mm (3/4" x 7 1/2")	SL44339	44339
Radiolucent 18mm x 200mm (3/4" x 7 7/8")	SL44340	44340



CONCAVE BLADE

ITEM DESCRIPTION	S-LOCK #	INTERCH. #
Radiolucent 30mm x 60mm (1 1/8" x 2 3/8")	SL44432	44432



ADVANCED MIS REVERSE TAPERED BLADES

ITEM DESCRIPTION	S-LOCK #	INTERCH. #
Radiolucent 20mm x 100mm (3/4" x 4")	SL44410	44410
Radiolucent 20mm x 110mm (3/4" x 4 3/8")	SL44412	44412
Radiolucent 20mm x 120mm (3/4" x 4 3/4")	SL44414	44414
Radiolucent 20mm x 130mm (3/4" x 5 1/8")	SL44416	44416
Radiolucent 20mm x 140mm (3/4" x 5 1/2")	SL44418	44418
Radiolucent 20mm x 150mm (3/4" x 5 7/8")	SL44420	44420
Radiolucent 20mm x 160mm (3/4" x 6 1/4")	SL44422	44422
Radiolucent 20mm x 170mm (3/4" x 6 5/8")	SL44424	44424
Radiolucent 20mm x 180mm (3/4" x 7")	SL44426	44426
Radiolucent 20mm x 190mm (3/4" x 7 1/2")	SL44428	44428
Radiolucent 20mm x 200mm (3/4" x 7 7/8")	SL44430	44430

ADVANCED MIS FINE VESSEL BLADES

ITEM DESCRIPTION	S-LOCK #	INTERCH. #
Radiolucent 80mm (3 1/8")	SL44368	44368
Radiolucent 90mm (3 1/2")	SL44369	44369
Radiolucent 100mm (4")	SL44370	44370
Radiolucent 110mm (4 3/8")	SL44371	44371
Radiolucent 120mm (4 3/4")	SL44372	44372
Radiolucent 130mm (5 1/8")	SL44373	44373
Radiolucent 140mm (5 1/2")	SL44374	44374
Radiolucent 150mm (5 7/8")	SL44375	44375
Radiolucent 160mm (6 1/4")	SL44376	44376
Radiolucent 170mm (6 5/8")	SL44377	44377
Radiolucent 180mm (7")	SL44378	44378
Radiolucent 190mm (7 1/2")	SL44379	44379
Radiolucent 200mm (7 7/8")	SL44380	44380

i **BLADE NOTICE:**
Anterior Lumbar Ring System S-Lock blades contain unique S-Lock nipple style, with rounded top.

RADIOLUCENT CONCAVE LATERAL BLADES



ITEM DESCRIPTION	ANODIZED ALUM. S-LOCK #	TITANIUM S-LOCK #	ANODIZED ALUM. INTERCH. #	TITANIUM INTERCH. #
Radiolucent 23mm x 30mm (1" x 1 1/8")	SL46310EB	—	46310EB	—
Radiolucent 23mm x 35mm (1" x 1 3/8")	SL46312EB	SL46312AT	46312EB	46312AT
Radiolucent 23mm x 40mm (1" x 1 1/2")	SL46314EB	SL46314AT	46314EB	46314AT
Radiolucent 23mm x 45mm (1" x 1 3/4")	SL46316EB	SL46316AT	46316EB	46316AT
Radiolucent 23mm x 50mm (1" x 2")	SL46318EB	SL46318AT	46318EB	46318AT
Radiolucent 23mm x 55mm (1" x 2 1/8")	SL46320EB	SL46320AT	46320EB	46320AT
Radiolucent 23mm x 60mm (1" x 2 3/8")	SL46322EB	SL46322AT	46322EB	46322AT
Radiolucent 23mm x 65mm (1" x 2 1/2")	SL46324EB	SL46324AT	46324EB	46324AT
Radiolucent 23mm x 70mm (1" x 2 3/4")	SL46326EB	SL46326AT	46326EB	46326AT
Radiolucent 23mm x 75mm (1" x 3")	SL46328EB	SL46328AT	46328EB	46328AT
Radiolucent 23mm x 80mm (1" x 3 1/8")	SL46330EB	SL46330AT	46330EB	46330AT
Radiolucent 23mm x 85mm (1" x 3 3/8")	—	SL46332AT	—	46332AT
Radiolucent 23mm x 90mm (1" x 3 1/2")	—	SL46334AT	—	46334AT
Radiolucent 23mm x 95mm (1" x 3 3/4")	—	SL46336AT	—	46336AT
Radiolucent 23mm x 100mm (1" x 4")	—	SL46338AT	—	46338AT
Radiolucent 23mm x 105mm (1" x 4 1/8")	—	SL46340AT	—	46340AT
Radiolucent 23mm x 110mm (1" x 4 3/8")	—	SL46342AT	—	46342AT
Radiolucent 23mm x 115mm (1" x 4 1/2")	—	SL46344AT	—	46344AT
Radiolucent 23mm x 120mm (1" x 4 3/4")	—	SL46346AT	—	46346AT
Radiolucent 22mm x 60mm (7/8" x 2 3/8")	—	SL45150AT	—	45150AT
Radiolucent 22mm x 70mm (7/8" x 2 3/4")	—	SL45151AT	—	45151AT
Radiolucent 22mm x 80mm (7/8" x 3 1/8")	—	SL45152AT	—	45152AT

Continued on next page »

RADIOLOUCENT CONCAVE LATERAL BLADES WITH TEETH

ITEM DESCRIPTION	ANODIZED ALUM. S-LOCK #	TITANIUM S-LOCK #	ANODIZED ALUM. INTERCH. #	TITANIUM INTERCH. #
Radiolucent with Teeth 23mm x 30mm (1" x 1 1/8")	SL46310EBT	—	46310EBT	—
Radiolucent with Teeth 23mm x 35mm (1" x 1 3/8")	SL46312EBT	SL46312ATT	46312EBT	46312ATT
Radiolucent with Teeth 23mm x 40mm (1" x 1 1/2")	SL46314EBT	SL46314ATT	46314EBT	46314ATT
Radiolucent with Teeth 23mm x 45mm (1" x 1 3/4")	SL46316EBT	SL46316ATT	46316EBT	46316ATT
Radiolucent with Teeth 23mm x 50mm (1" x 2")	SL46318EBT	SL46318ATT	46318EBT	46318ATT
Radiolucent with Teeth 23mm x 55mm (1" x 2 1/8")	SL46320EBT	SL46320ATT	46320EBT	46320ATT
Radiolucent with Teeth 23mm x 60mm (1" x 2 3/8")	SL46322EBT	SL46322ATT	46322EBT	46322ATT
Radiolucent with Teeth 23mm x 65mm (1" x 2 1/2")	SL46324EBT	SL46324ATT	46324EBT	46324ATT
Radiolucent with Teeth 23mm x 70mm (1" x 2 3/4")	SL46326EBT	SL46326ATT	46326EBT	46326ATT
Radiolucent with Teeth 23mm x 75mm (1" x 3")	SL46328EBT	SL46328ATT	46328EBT	46328ATT
Radiolucent with Teeth 23mm x 80mm (1" x 3 1/8")	SL46330EBT	SL46330ATT	46330EBT	46330ATT
Radiolucent with Teeth 23mm x 85mm (1" x 3 3/8")	—	SL46332ATT	—	46332ATT
Radiolucent with Teeth 23mm x 90mm (1" x 3 1/2")	—	SL46334ATT	—	46334ATT
Radiolucent with Teeth 23mm x 95mm (1" x 3 3/4")	—	SL46336ATT	—	46336ATT
Radiolucent with Teeth 23mm x 100mm (1" x 4")	—	SL46338ATT	—	46338ATT
Radiolucent with Teeth 23mm x 105mm (1" x 4 1/8")	—	SL46340ATT	—	46340ATT
Radiolucent with Teeth 23mm x 110mm (1" x 4 3/8")	—	SL46342ATT	—	46342ATT
Radiolucent with Teeth 23mm x 115mm (1" x 4 1/2")	—	SL46344ATT	—	46344ATT
Radiolucent with Teeth 23mm x 120mm (1" x 4 3/4")	—	SL46346ATT	—	46346ATT
Radiolucent with Teeth 22mm x 60mm (7/8" x 2 3/8")	—	SL45150ATT	—	45150ATT
Radiolucent with Teeth 22mm x 70mm (7/8" x 2 3/4")	—	SL45151ATT	—	45151ATT
Radiolucent with Teeth 22mm x 80mm (7/8" x 3 1/8")	—	SL45152ATT	—	45152ATT

CONCAVE LATERAL BLADES (RADIOPAQUE)

ITEM DESCRIPTION	S-LOCK #	INTERCH. #	ROTATABLE #	SWIVEL #	FIXED #
18mm x 70mm (7/8" x 2 3/4")	SL45640A	45640A	—	S45640Q	—
19mm x 55mm (3/4" x 2 1/4")	SL45150A	45150A	—	—	—
25mm x 30mm (1" x 1 1/4")	SL45156A	45156A	—	—	—
25mm x 35mm (1" x 1 1/2")	SL45157A	45157A	—	—	—
25mm x 50mm (1" x 2")	SL45151A	45151A	—	—	—
25mm x 60mm (1" x 2 3/8")	SL45158A	45158A	—	—	—
25mm x 70mm (1" x 2 3/4")	SL45159A	45159A	—	—	—
25mm x 85mm (1" x 3 3/8")	SL45152A	45152A	—	—	—

RADIOLUCENT CONCAVE TAPERED BLADES



ITEM DESCRIPTION	ANODIZED ALUM. S-LOCK #	TITANIUM S-LOCK #	ANODIZED ALUM. INTERCH. #	TITANIUM INTERCH. #
Radiolucent 23mm x 30mm (1" x 1 1/8")	SL45639EB	—	45639EB	—
Radiolucent 23mm x 35mm (1" x 1 3/8")	SL45643EB	SL45643AT	45643EB	45643AT
Radiolucent 23mm x 40mm (1" x 1 1/2")	SL45644EB	SL45644AT	45644EB	45644AT
Radiolucent 23mm x 45mm (1" x 1 3/4")	SL45645EB	SL45645AT	45645EB	45645AT
Radiolucent 23mm x 50mm (1" x 2")	SL45646EB	SL45646AT	45646EB	45646AT
Radiolucent 23mm x 55mm (1" x 2 1/8")	SL45647EB	SL45647AT	45647EB	45647AT
Radiolucent 23mm x 60mm (1" x 2 3/8")	SL45648EB	SL45648AT	45648EB	45648AT
Radiolucent 23mm x 65mm (1" x 2 1/2")	SL45649EB	SL45649AT	45649EB	45649AT
Radiolucent 23mm x 70mm (1" x 2 3/4")	SL45650EB	SL45650AT	45650EB	45650AT
Radiolucent 23mm x 75mm (1" x 3")	SL45651EB	SL45651AT	45651EB	—
Radiolucent 23mm x 80mm (1" x 3 1/8")	SL45652EB	SL45652AT	45652EB	—
Radiolucent 51mm x 50mm (2" x 2")	—	SL45641AT	—	45641AT
Radiolucent 51mm x 65mm (2" x 2 1/2")	—	SL45642AT	—	45642AT
Radiolucent with Teeth 23mm x 30mm (1" x 1 1/8")	SL45639EBT	—	45639EBT	—
Radiolucent with Teeth 23mm x 35mm (1" x 1 3/8")	SL45643EBT	SL45643ATT	45643EBT	45643ATT
Radiolucent with Teeth 23mm x 40mm (1" x 1 1/2")	SL45644EBT	SL45644ATT	45644EBT	45644ATT
Radiolucent with Teeth 23mm x 45mm (1" x 1 3/4")	SL45645EBT	SL45645ATT	45645EBT	45645ATT
Radiolucent with Teeth 23mm x 50mm (1" x 2")	SL45646EBT	SL45646ATT	45646EBT	45646ATT
Radiolucent with Teeth 23mm x 55mm (1" x 2 1/8")	SL45647EBT	SL45647ATT	45647EBT	45647ATT
Radiolucent with Teeth 23mm x 60mm (1" x 2 3/8")	SL45648EBT	SL45648ATT	45648EBT	45648ATT
Radiolucent with Teeth 23mm x 65mm (1" x 2 1/2")	SL45649EBT	SL45649ATT	45649EBT	45649ATT
Radiolucent with Teeth 23mm x 70mm (1" x 2 3/4")	SL45650EBT	SL45650ATT	45650EBT	45650ATT
Radiolucent with Teeth 23mm x 75mm (1" x 3")	SL45651EBT	SL45651ATT	45651EBT	—
Radiolucent with Teeth 23mm x 80mm (1" x 3 1/8")	SL45652EBT	SL45652ATT	45652EBT	—
Radiolucent with Teeth 51mm x 50mm (2" x 2")	—	SL45641ATT	—	45641ATT
Radiolucent with Teeth 51mm x 65mm (2" x 2 1/2")	—	SL45642ATT	—	45642ATT

NOTE: 23mm wide Concave Tapered blades are 14mm wide at distal end.

Continued on next page »

CONCAVE TAPERED BLADES (RADIOPAQUE)

ITEM DESCRIPTION	S-LOCK #	INTERCH. #	ROTATABLE #	SWIVEL #	FIXED #
19mm x 35mm (¾" x 1 ⅜")	SL45643A	45643A	—	—	—
19mm x 45mm (¾" x 1 ¾")	SL45645A	45645A	—	S45645Q	—
19mm x 50mm (¾" x 2")	SL45646A	45646A	—	—	—
45mm x 50mm (1 ¾" x 2")	SL45641A	45641A	—	—	—
45mm x 65mm (1 ¾" x 2 ¾")	SL45642A	45642A	—	—	—

RADIOLUCENT CONCAVE LONGITUDINAL BLADES



ITEM DESCRIPTION	ANODIZED ALUM. S-LOCK #	TITANIUM S-LOCK #	ANODIZED ALUM. INTERCH. #	TITANIUM INTERCH. #
Radiolucent 23mm x 30mm (1" x 1 ¼")	SL45160EB	SL45160AT	45160EB	45160AT
Radiolucent 23mm x 40mm (1" x 2")	SL45161EB	SL45161AT	45161EB	45161AT
Radiolucent 23mm x 50mm (1" x 2 ¾")	SL45162EB	SL45162AT	45162EB	45162AT
Radiolucent 23mm x 60mm (1" x 2 ¾")	SL45163EB	SL45163AT	45163EB	45163AT
Radiolucent 23mm x 70mm (1" x 2 ¾")	SL45164EB	SL45164AT	45164EB	45164AT
Radiolucent 23mm x 80mm (1" x 3 ⅙")	SL45165EB	SL45165AT	45165EB	45165AT
Radiolucent 23mm x 90mm (1" x 3 ½")	—	SL45166AT	—	45166AT
Radiolucent 23mm x 100mm (1" x 4")	—	SL45167AT	—	45167AT
Radiolucent 23mm x 110mm (1" x 4 ⅜")	—	SL45168AT	—	45168AT

CONCAVE LONGITUDINAL BLADES (RADIOPAQUE)

ITEM DESCRIPTION	S-LOCK #	INTERCH #	ROTATABLE #	SWIVEL #	FIXED #
23mm x 30mm (1" x 1 ¼")	SL45160A	45160A	—	—	—
23mm x 50mm (1" x 2")	SL45161A	45161A	—	—	—
23mm x 70mm (1" x 2 ¾")	SL45162A	45162A	—	—	—

RADIOLUCENT CONCAVE MICRO BLADES

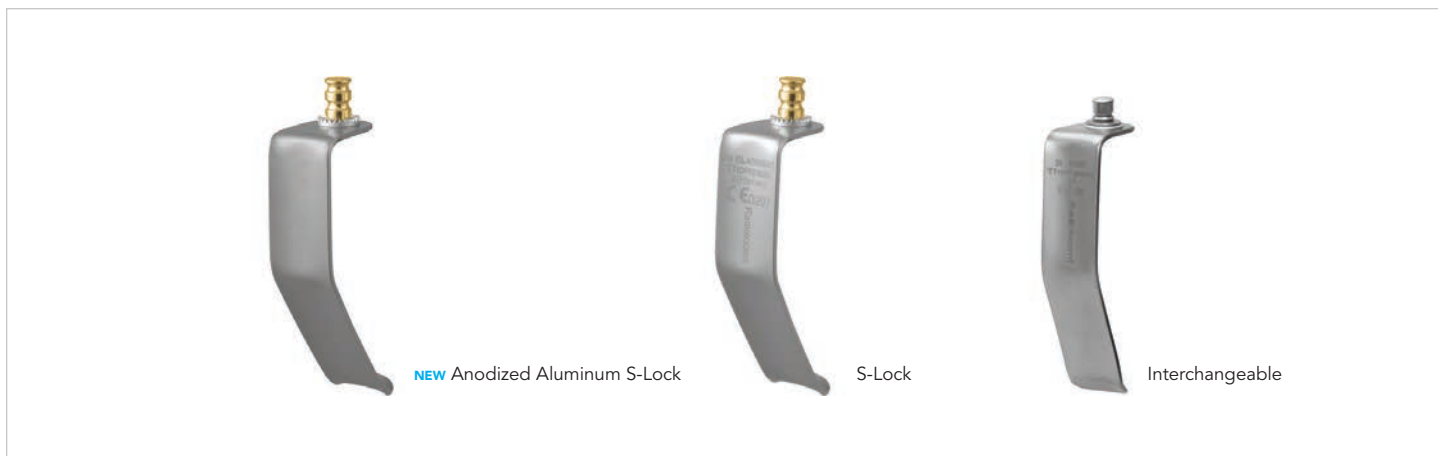


ITEM DESCRIPTION	ANODIZED ALUM. S-LOCK #	TITANIUM S-LOCK #	COLOR CODED INTERCH. #	TITANIUM INTERCH. #
Radiolucent 14mm x 30mm (1/2" x 1 1/8")	SL46508EB *	—	46508EB *	—
Radiolucent 14mm x 35mm (1/2" x 1 3/8")	SL46510EB *	SL46510AT	46510EB *	46510AT
Radiolucent 14mm x 40mm (1/2" x 1 1/2")	SL46512EB *	SL46512AT	46512EB *	46512AT
Radiolucent 14mm x 45mm (1/2" x 1 3/4")	SL46514EB *	SL46514AT	46514EB *	46514AT
Radiolucent 14mm x 50mm (1/2" x 2")	SL46516EB *	SL46516AT	46516EB *	46516AT
Radiolucent 14mm x 55mm (1/2" x 2 1/8")	SL46518EB *	SL46518AT	46518EB *	46518AT
Radiolucent 14mm x 60mm (1/2" x 2 3/8")	SL46520EB *	SL46520AT	46520EB *	46520AT
Radiolucent 14mm x 65mm (1/2" x 2 1/2")	SL46522EB *	SL46523AT *	46522EB *	46523AT *
Radiolucent 14mm x 70mm (1/2" x 2 3/4")	SL46524EB *	SL46524AT *	46524EB *	46524AT *
Radiolucent 14mm x 75mm (1/2" x 3")	SL46526EB *	SL46526AT *	46526EB *	46526AT *
Radiolucent 14mm x 80mm (1/2" x 3 1/8")	SL46528EB *	SL46528AT *	46528EB *	46528AT *
Radiolucent with Teeth 14mm x 30mm (1/2" x 1 1/8")	SL46508EBT *	—	46508EBT *	—
Radiolucent with Teeth 14mm x 35mm (1/2" x 1 3/8")	SL46510EBT *	SL46510ATT	46510EBT *	46510ATT
Radiolucent with Teeth 14mm x 40mm (1/2" x 1 1/2")	SL46512EBT *	SL46512ATT	46512EBT *	46512ATT
Radiolucent with Teeth 14mm x 45mm (1/2" x 1 3/4")	SL46514EBT *	SL46514ATT	46514EBT *	46514ATT
Radiolucent with Teeth 14mm x 50mm (1/2" x 2")	SL46516EBT *	SL46516ATT	46516EBT *	46516ATT
Radiolucent with Teeth 14mm x 55mm (1/2" x 2 1/8")	SL46518EBT *	SL46518ATT	46518EBT *	46518ATT
Radiolucent with Teeth 14mm x 60mm (1/2" x 2 3/8")	SL46520EBT *	SL46520ATT	46520EBT *	46520ATT
Radiolucent with Teeth 14mm x 65mm (1/2" x 2 1/2")	SL46522EBT *	SL46523ATT *	46522EBT *	46523ATT *
Radiolucent with Teeth 14mm x 70mm (1/2" x 2 3/4")	SL46524EBT *	SL46524ATT *	46524EBT *	46524ATT *
Radiolucent with Teeth 14mm x 75mm (1/2" x 3")	SL46526EBT *	SL46526ATT *	46526EBT *	46526ATT *
Radiolucent with Teeth 14mm x 80mm (1/2" x 3 1/8")	SL46528EBT *	SL46528ATT *	46528EBT *	46528ATT *

NOTE: Concave Micro blades are 23mm wide at proximal end, and 14mm wide at distal end.

* Slightly thicker blade.

RADIOLUCENT ODONTOID BLADES



ITEM DESCRIPTION	ANODIZED ALUM. S-LOCK #	S-LOCK #	ANODIZED ALUM. INTERCH. #	INTERCH. #
Radiolucent 20mm x 90mm (3/4" x 3 1/2")	SL45666EB	SL45666AT	45666EB	45666AT

RADIOLUCENT MIDLINE BLADES



ITEM DESCRIPTION	ANODIZED ALUM. S-LOCK #	TITANIUM S-LOCK #	ANODIZED ALUM. INTERCH. #	TITANIUM INTERCH. #
Radiolucent Right 70mm x 83mm (2 3/4" x 3 1/4")	SL45750EB	SL45750AT	45750EB	45750AT
Radiolucent Left 70mm x 83mm (2 3/4" x 3 1/4")	SL45751EB	SL45751AT	45751EB	45751AT

MIDLINE BLADES (RADIOPAQUE)

ITEM DESCRIPTION	S-LOCK #	INTERCH. #	ROTATABLE #	SWIVEL #	FIXED #
Right 70mm x 83mm (2 3/4" x 3 1/4")	SL45750A	45750A	—	—	—
Left 70mm x 83mm (2 3/4" x 3 1/4")	SL45751A	45751A	—	—	—
Left 57mm x 83mm (2 1/4" x 3 1/4")	SL45755A	45755A	—	—	—
Right 57mm x 83mm (2 1/4" x 3 1/4")	SL45754A	45754A	—	—	—

MIS TAPERED (SYD) BLADES



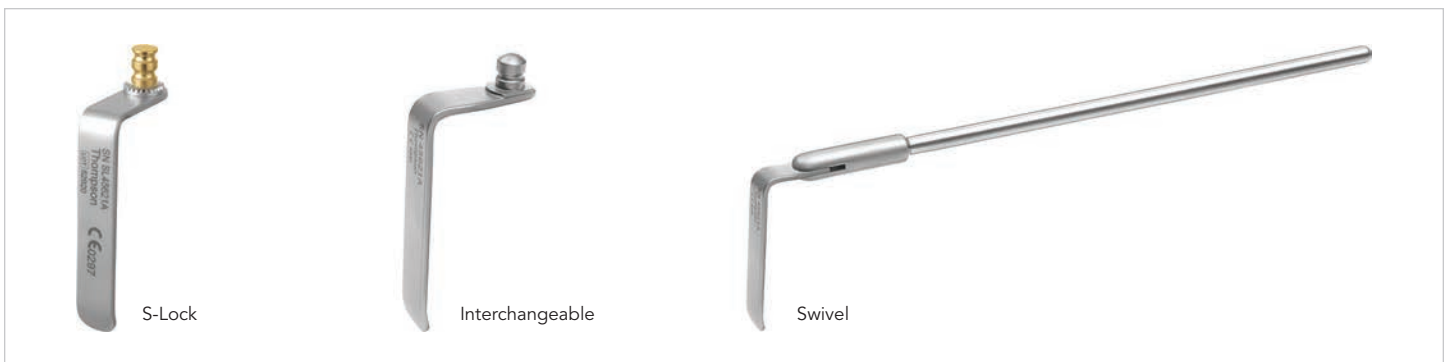
ITEM DESCRIPTION	S-LOCK #	INTERCH. #
Radiolucent 15mm x 23mm x 35mm (5/8" x 1" x 1 3/8")	SL45624AT	45624AT
Radiolucent 15mm x 23mm x 40mm (5/8" x 1" x 1 1/2")	SL45625AT	45625AT
Radiolucent 15mm x 23mm x 45mm (5/8" x 1" x 1 3/4")	SL45626AT	45626AT
Radiolucent 15mm x 23mm x 50mm (5/8" x 1" x 2")	SL45627AT	45627AT
Radiolucent 15mm x 23mm x 55mm (5/8" x 1" x 2 1/8")	SL45628AT	45628AT
Radiolucent 15mm x 23mm x 60mm (5/8" x 1" x 2 3/8")	SL45629AT	45629AT
Radiolucent 15mm x 23mm x 65mm (5/8" x 1" x 2 1/2")	SL45630AT	45630AT
Radiolucent 15mm x 23mm x 70mm (5/8" x 1" x 2 3/4")	SL45631AT	45631AT
Radiolucent 15mm x 23mm x 75mm (5/8" x 1" x 3")	SL45632AT	45632AT

CONCAVE MEDIAL BLADES



ITEM DESCRIPTION	S-LOCK #	INTERCH. #
13mm x 51mm (1/2" x 2")	SL45212A	45212A
13mm x 75mm (1/2" x 3")	SL45214A	45214A
13mm x 100mm (1/2" x 4")	SL45216A	45216A
19mm x 51mm (3/4" x 2")	SL45222A	45222A
19mm x 75mm (3/4" x 3")	SL45224A	45224A
19mm x 100mm (3/4" x 4")	SL45226A	45226A
25mm x 51mm (1" x 2")	SL45232A	45232A
25mm x 75mm (1" x 3")	SL45234A	45234A
25mm x 100mm (1" x 4")	SL45236A	45236A
32mm x 70mm (1 1/4" x 2 3/4")	SL45153A	45153A
38mm x 70mm (1 1/2" x 2 3/4")	SL45154A	45154A
38mm x 85mm (1 1/2" x 3 3/8")	SL45155A	45155A

ARMY-NAVY BLADES



ITEM DESCRIPTION	S-LOCK #	INTERCH. #	ROTATABLE #	SWIVEL #	FIXED #
13mm x 55mm (1/2" x 2 1/8")	SL45620A	45620A	—	S45620Q	—
13mm x 65mm (1/2" x 2 5/8")	SL45621A	45621A	—	—	—
13mm x 75mm (1/2" x 3 1/8")	SL45622A	45622A	—	S45622Q	—

MEYERDING BLADES



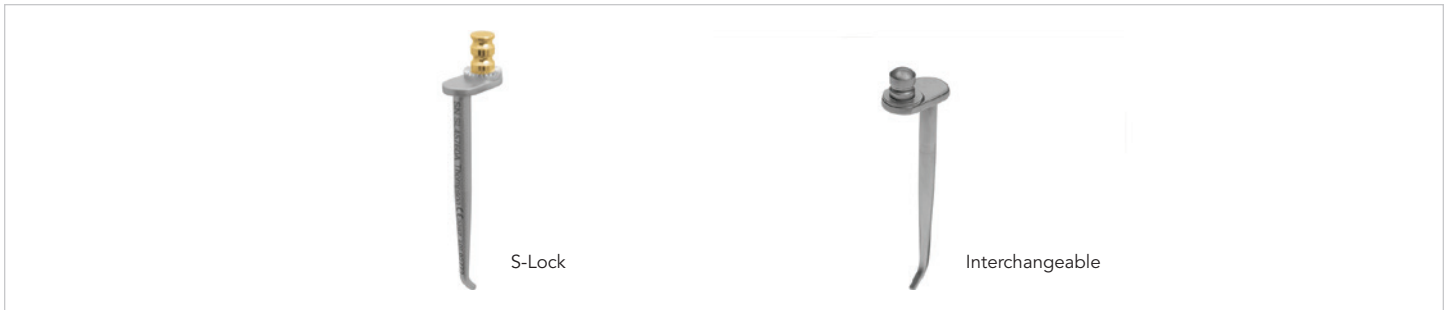
ITEM DESCRIPTION	S-LOCK #	INTERCH. #	ROTATABLE #	SWIVEL #	FIXED #
16mm x 51mm (5/8" x 2")	SL45614A	45614A	—	—	—
16mm x 75mm (5/8" x 3")	SL45600A	45600A	—	—	—
16mm x 100mm (5/8" x 4")	SL45601A	45601A	—	S45601Q	—
25mm x 60mm (1" x 2 3/8")	SL45610A	45610A	—	—	—
25mm x 75mm (1" x 3")	SL45611A	45611A	—	—	—
25mm x 100mm (1" x 4")	SL45602A	45602A	—	—	—
25mm x 125mm (1" x 5")	SL45603A	45603A	—	—	—
51mm x 60mm (2" x 2 3/8")	SO45612A	45612A	—	—	—
51mm x 75mm (2" x 3")	SO45613A	45613A	—	—	—
51mm x 100mm (2" x 4")	SO45615A	45615A	—	—	—
51mm x 125mm (2" x 5")	SO45616A	45616A	—	S45616Q	—
Radiolucent 51mm x 60mm (2" x 2 3/8")	SO45612AET	45612AET	—	—	—
With Teeth 16mm x 51mm (5/8" x 2")	SL45614AT	45614AT	—	—	—
With Teeth 16mm x 75mm (5/8" x 3")	SL45600AT	45600AT	—	—	—
With Teeth 16mm x 100mm (5/8" x 4")	SL45601AT	45601AT	—	—	—
With Teeth 25mm x 60mm (1" x 2 3/8")	SL45610AT	45610AT	—	—	—
With Teeth 25mm x 75mm (1" x 3")	SL45611AT	45611AT	—	—	—
With Teeth 25mm x 100mm (1" x 4")	SL45602AT	45602AT	—	—	—
With Teeth 25mm x 115mm (1" x 4 1/2")	SL45618AT	—	—	—	—
With Teeth 25mm x 125mm (1" x 5")	SL45603AT	45603AT	—	—	—
With Teeth 38mm x 165mm (1 1/2" x 6 1/2")	SL45619AT	—	—	—	—
With Teeth 51mm x 60mm (2" x 2 3/8")	SO45612AT	45612AT	—	—	—
With Teeth 51mm x 75mm (2" x 3")	SO45613AT	45613AT	—	—	—
With Teeth 51mm x 100mm (2" x 4")	SO45615AT	—	—	—	—
With Teeth 51mm x 125mm (2" x 5")	SO45616AT	45616AT	—	—	—
Radiolucent with Teeth 51mm x 60mm (2" x 2 3/8")	SO45612AETT	—	—	—	—

CONCAVE POSTERIOR LUMBAR BLADES



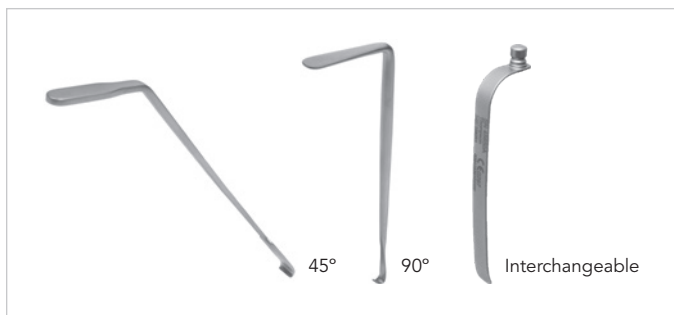
ITEM DESCRIPTION	S-LOCK #	INTERCH. #	ROTATABLE #	SWIVEL #	FIXED #
Radiolucent 23mm x 80mm (7/8" x 3 1/8")	SO45670ATTC	45670ATTC	—	—	—
Radiolucent 45mm x 80mm (1 3/4" x 3 1/8")	SO45671ATTC	45671ATTC	—	—	—
Radiolucent 60mm x 80mm (2 3/8" x 3 1/8")	SO45672ATTC	45672ATTC	—	—	—
Radiolucent 23mm x 100mm (7/8" x 4")	SO45673ATTC	45673ATTC	—	—	—
Radiolucent 45mm x 100mm (1 3/4" x 4")	SO45674ATTC	45674ATTC	—	—	—
Radiolucent 60mm x 100mm (2 3/8" x 4")	SO45675ATTC	45675ATTC	—	—	—
Radiolucent 23mm x 120mm (7/8" x 4 3/4")	SO45676ATTC	45676ATTC	—	—	—
Radiolucent 45mm x 120mm (1 3/4" x 4 3/4")	SO45677ATTC	45677ATTC	—	—	—
Radiolucent 60mm x 120mm (2 3/8" x 4 3/4")	SO45678ATTC	45678ATTC	—	—	—
Radiolucent 23mm x 150mm (7/8" x 5 7/8")	SO45679ATTC	45679ATTC	—	—	—
Radiolucent 45mm x 150mm (1 3/4" x 5 7/8")	SO45680ATTC	45680ATTC	—	—	—
Radiolucent 60mm x 150mm (2 3/8" x 5 7/8")	SO45681ATTC	45681ATTC	—	—	—
Radiolucent 23mm x 180mm (7/8" x 7")	SO45682ATTC	45682ATTC	—	—	—
Radiolucent 45mm x 180mm (1 3/4" x 7")	SO45683ATTC	45683ATTC	—	—	—
Radiolucent 60mm x 180mm (2 3/8" x 7")	SO45684ATTC	45684ATTC	—	—	—

PRONG RETRACTORS



ITEM DESCRIPTION	S-LOCK #	INTERCH. #	ROTATABLE #	SWIVEL #	FIXED #
75mm (3")	SL45760A	45760A	—	—	—
100mm (4")	SL45761A	45761A	—	—	—

NERVE ROOT RETRACTORS



ITEM DESCRIPTION	PART #
90° 5mm x 123mm (1/4" x 4 7/8")	45752A *
45° 8mm x 145mm (3/8" x 5 3/4")	45753A *
Interchangeable 9mm x 114mm (3/8" x 4 1/2")	45650A
Interchangeable 13mm x 114mm (1/2" x 4 1/2")	45651A

* Flexible Blade Holder (42140C) required for use.

FLEXIBLE BLADE HOLDER



ITEM DESCRIPTION	PART #
Flexible Blade Holder with Cam Joint (used to hold Nerve Root Retractors)	42140C

PERESS BLADES **



ITEM DESCRIPTION	S-LOCK #	INTERCH. #	ROTATABLE #	SWIVEL #	FIXED #
35mm x 102mm (1 3/8" x 4")	SL45607A	45607A	—	—	—
35mm x 127mm (1 3/8" x 5")	SL45608A	45608A	—	—	—
35mm x 152mm (1 3/8" x 6")	SL45609A	45609A	—	—	—
60mm x 102mm (2 3/8" x 4")	SL45604A	45604A	—	—	—
60mm x 127mm (2 3/8" x 5")	SL45605A	45605A	—	—	—
60mm x 152mm (2 3/8" x 6")	SL45606A	45606A	—	—	—

** Peress Blades are available, but may require a longer lead time.

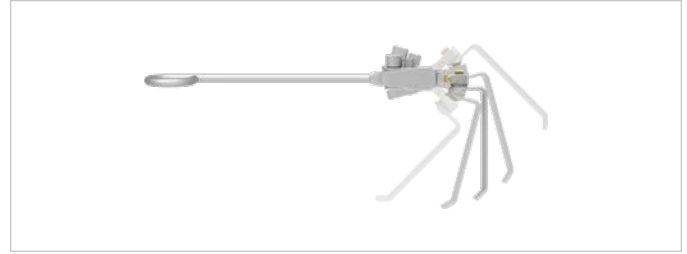
Unique System Components

Anterior Lumbar Ring	63
OneFrame®	64
RingTrack®	64-65
Laparoscopic	66-67
Cardiothoracic	68-69
Bolling Mitral Valve	68-69
Drake Hook	69
Hip	70-71
MIS PLA®	72-75
CCA	76
Body Contouring	77



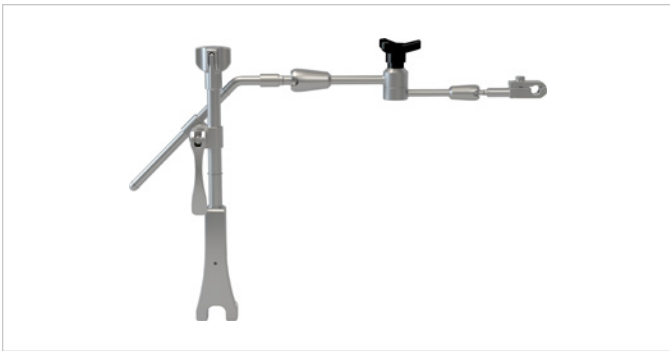
EXTENSION ARM (CURRENT)

ITEM DESCRIPTION	PART #
Extension Arm with Fixed Hinge Joint	44615FH



DUAL ANGLE HANDLE (CURRENT)

ITEM DESCRIPTION	S-LOCK #	INTERCH. #
Dual Angle Handle 8"	SL42101	42101



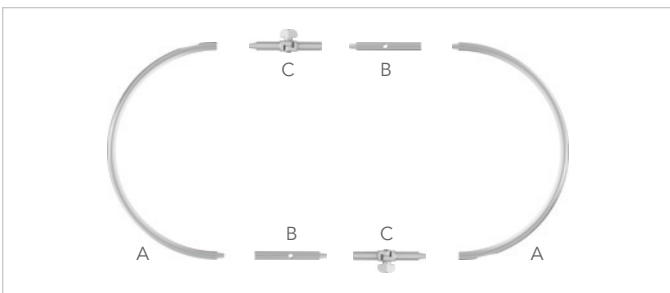
RAIL CLAMP WITH EXTENSION ARM (CURRENT)

ITEM DESCRIPTION	PART #
Elite III Rail Clamp with Extension Arm Fixed Hinge Joint	44616EFH



FREE ANGLE HANDLE (CURRENT)

ITEM DESCRIPTION	S-LOCK #	INTERCH. #
Free Angle Handle 8"	SL42102	42102



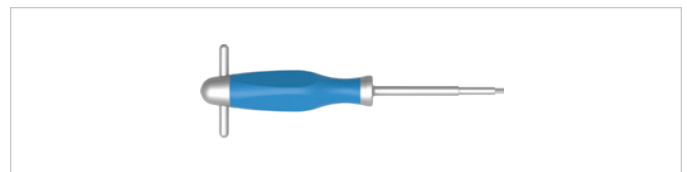
RING FRAME (CURRENT)

REF	ITEM DESCRIPTION	PART #
A	Ring Frame Half 13 1/2" (2 required for use)	44224
B	Ring Extension 4"	44223
C	Ring Extension Hinged 4"	44229



CIRCLE JOINT (CURRENT)

ITEM DESCRIPTION	PART #
Circle Joint 1/2" x 1/4"	42100

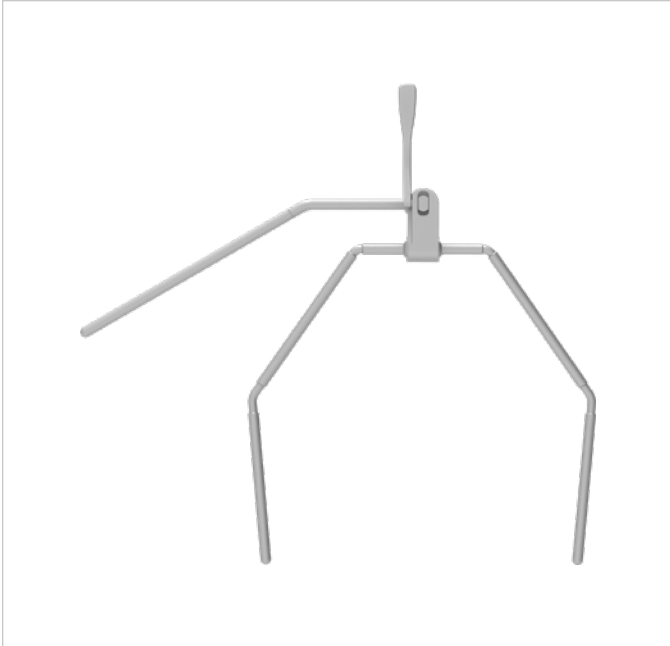


HEX TOOL WITH T-HANDLE (CURRENT)

ITEM DESCRIPTION	PART #
Hex Tool 3/16" with T-Handle	60021

i NOTICE: This page shows parts unique to the Anterior Lumbar Ring System. Additional components common to other systems are shown with standard system components and blades.

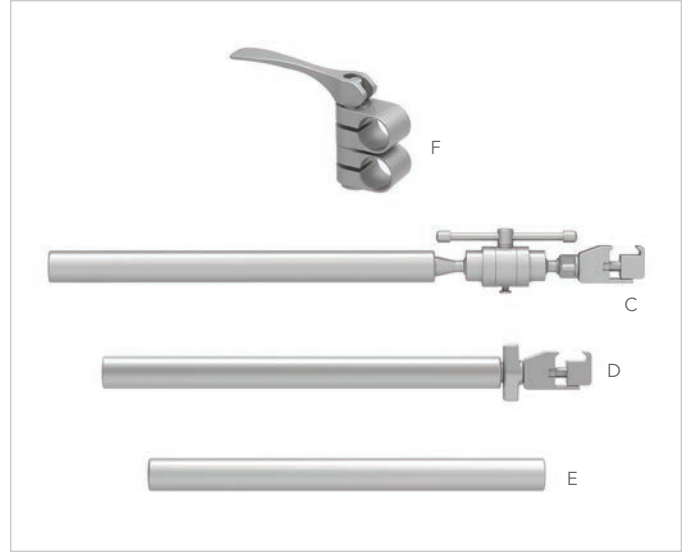
Anterior Lumbar Blades shown on pages 46 - 51



ONEFRAME®

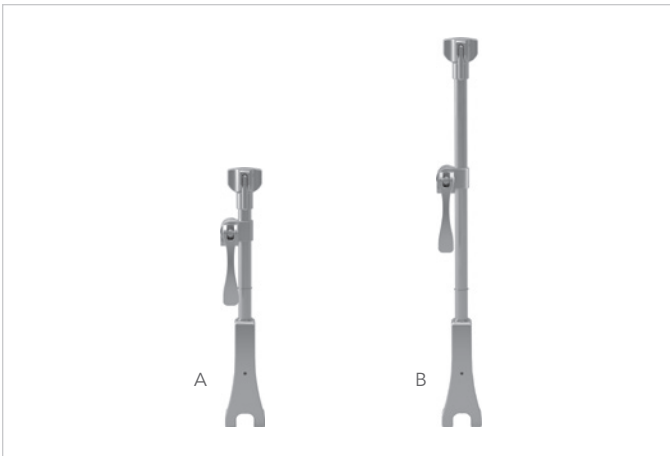
ITEM DESCRIPTION	PART #
Thompson OneFrame®	47500

OneFrame® may be used with standard Thompson components on pages 6 - 61.



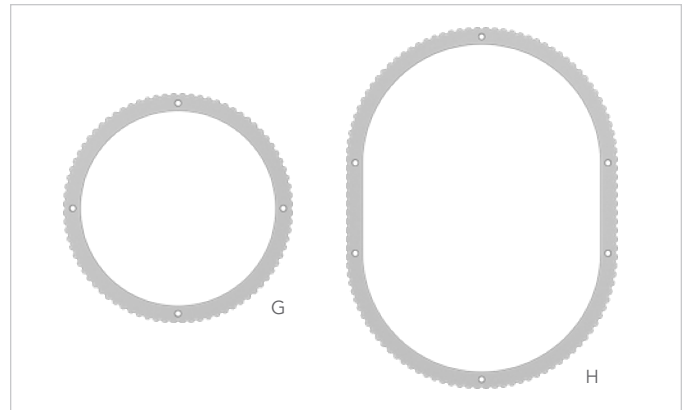
RINGTRACK® HORIZONTAL BARS

REF	ITEM DESCRIPTION	PART #
C	RingTrack Articulating Horizontal Bar 18 ½"	47400
D	RingTrack Horizontal Bar 14 ¼"	47437
E	RingTrack Extension Bar 12"	47402
F	RingTrack Cam III Joint 1" x 1"	47403



RINGTRACK® ELITE III RAIL CLAMPS

REF	ITEM DESCRIPTION	PART #
A	RingTrack Elite III Rail Clamp 11" with 1 Cam Joint	47902ACS
	RingTrack Elite III Rail Clamp 16" with 1 Cam Joint	47902ACL
B	RingTrack Elite III Rail Clamp 18" with 1 Cam Joint	47902AC
	RingTrack Elite III Rail Clamp 22" with 1 Cam Joint	47904AC
	RingTrack Elite III Rail Clamp 26" with 1 Cam Joint	47906AC



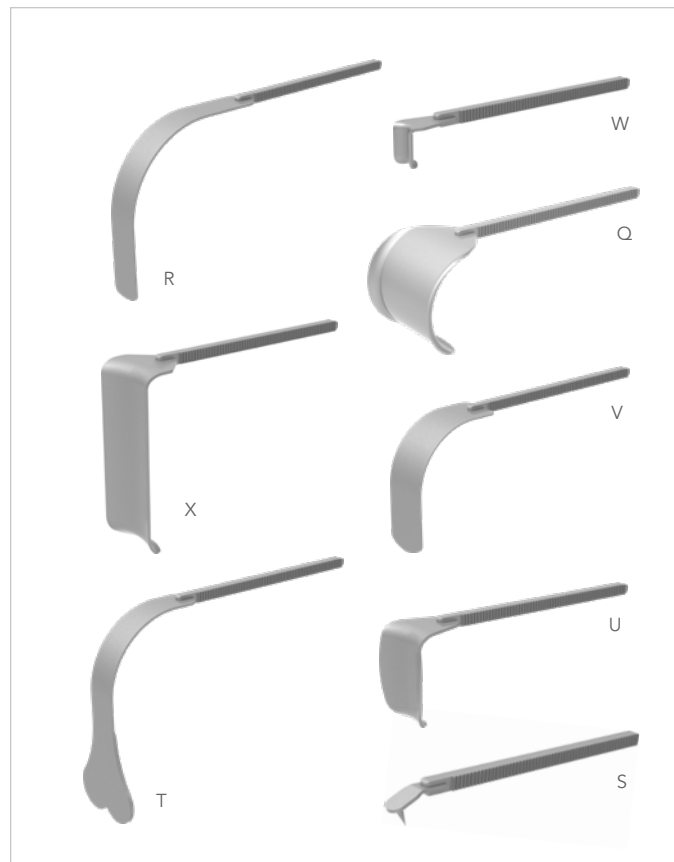
RINGTRACK® RINGS

REF	ITEM DESCRIPTION	PART #
G	RingTrack Round Ring Small 8 ½"	47404
	RingTrack Round Ring Medium 10 ½"	47406
	RingTrack Round Ring Large 12 ½"	47408
	RingTrack Oval Ring Small 8" x 12 ¼"	47410
H	RingTrack Oval Ring Medium 10 ½" x 14 ½"	47412
	RingTrack Oval Ring Large 12" x 18 ½"	47414



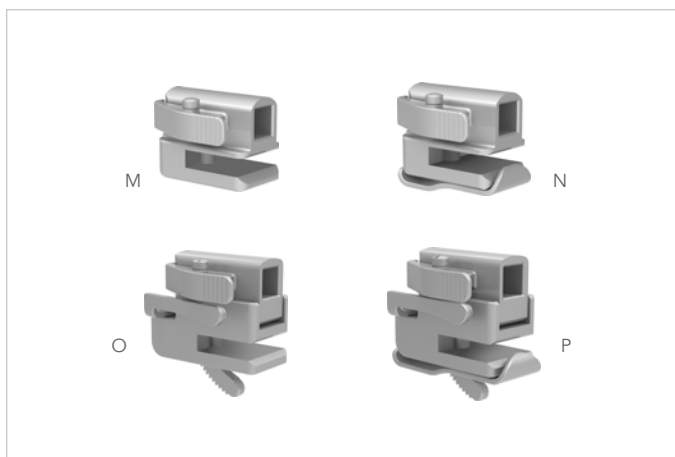
RINGTRACK® SEGMENTED RINGS

REF	ITEM DESCRIPTION	PART #
	RingTrack Round Ring Small Half 8 1/2"	47416
I	RingTrack Round Ring Medium Half 10 1/2"	47418
J	RingTrack Round Ring Large Half 12 1/2"	47420
	RingTrack Straight Segment 4 1/2"	47430
K	RingTrack Straight Segment 6"	47432
L	RingTrack Straight Segment 8"	47434



RINGTRACK® FIXED BLADES

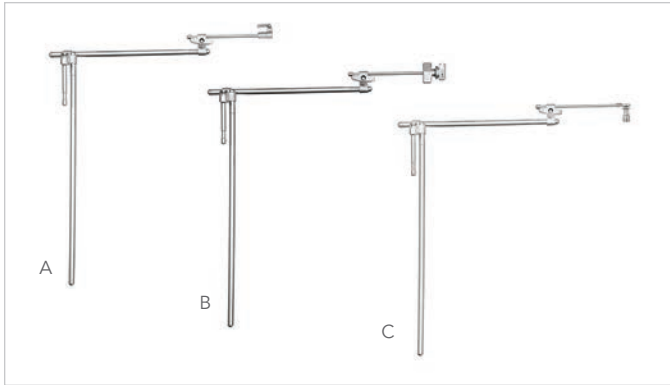
REF	ITEM DESCRIPTION	PART #
Q	RingTrack Balfour [small lips] 83mm x 73mm (3 1/4" x 3")	46141CW
R	RingTrack Deaver 25mm x 127mm (1" x 5")	46170W
S	RingTrack Gelpi 1/2"	47115W
T	RingTrack Harrington 64mm x 152mm (2 1/2" x 6")	46160W
U	RingTrack Kelly 51mm x 64mm (2" x 2 1/2")	46128W
V	RingTrack Malleable 38mm x 152mm (1 1/2" x 6")	46120BW
	RingTrack Malleable 51mm x 165mm (2" x 6 1/2")	46112W
	RingTrack Malleable 76mm x 165mm (3" x 6 1/2")	46113W
W	RingTrack Richardson 19mm x 25mm (3/4" x 1")	46125W
	RingTrack Richardson 19mm x 51mm (3/4" x 2")	46125AW
	RingTrack Richardson 44mm x 51mm (1 3/4" x 2")	46149W
	RingTrack Richardson 51mm x 76mm (2" x 3")	46154W
	RingTrack Richardson 51mm x 102mm (2" x 4")	46150W
X	RingTrack Richardson 51mm x 127mm (2" x 5")	46151W
	RingTrack Richardson 51mm x 152mm (2" x 6")	46152W



RINGTRACK® RATCHETS

REF	ITEM DESCRIPTION	PART #
M	RingTrack Ratchet	47440
N	RingTrack Ratchet with Clip	47441
O	RingTrack Angling Ratchet	47442
P	RingTrack Angling Ratchet with Clip	47443

S-Lock® RingTrack® Handles shown on page 19.



RIGID LAP HOLDERS FOR PRC (CURRENT)

REF	ITEM DESCRIPTION	PART #
A	Universal Rigid Lap Holder for Power Rail Clamp	42139U
B	Rigid Laparoscopic Holder for Power Rail Clamp	42139N
C	S-Lock Rigid Laparoscopic Holder for PRC	SL42139N

OLDER GEN. RIGID LAPAROSCOPIC HOLDERS

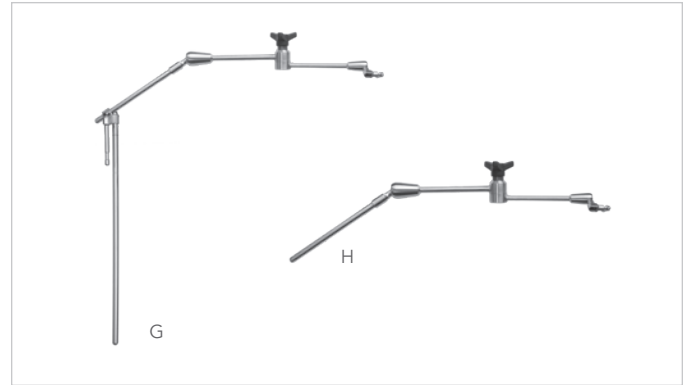
ITEM DESCRIPTION	PART #
Laparoscopic Instrument Holder	42139NC
Instrument Holder	42134N
Laparoscopic Instrument Holder	42139HC



RIGID LAP HOLDERS FOR ELITE (CURRENT)

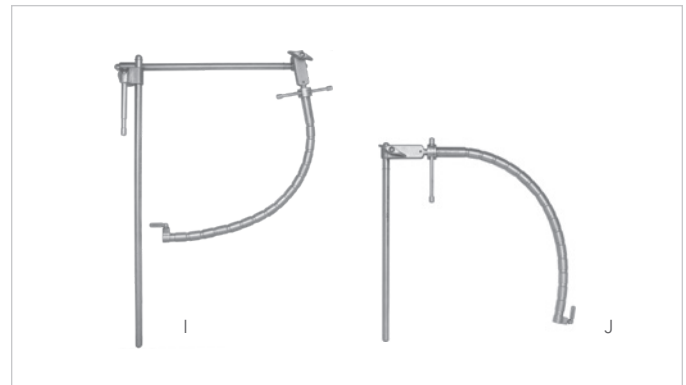
REF	ITEM DESCRIPTION	PART #
D	Universal Rigid Lap Holder for Elite (or IHRC)	42139EU
E	Rigid Laparoscopic Holder for Elite (or IHRC)	42139E
F	S-Lock Rigid Laparoscopic Holder for Elite (or IHRC)	SL42139E

Rail clamps shown on pages 6 - 7.



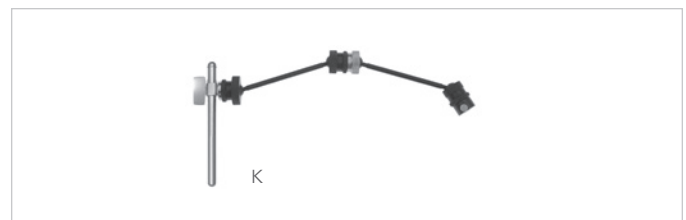
LAPAROSCOPIC ARTICULATING ARMS (CURRENT)

REF	ITEM DESCRIPTION	PART #
G	Laparoscopic Articulating Arm for Power Rail Clamp	42138L
H	Laparoscopic Articulating Arm for Elite (or IHRC)	42138LE



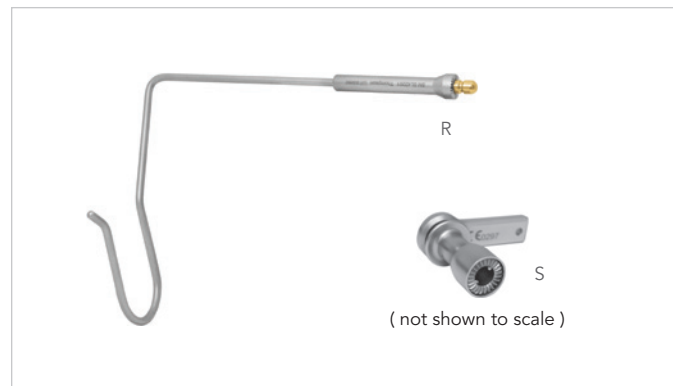
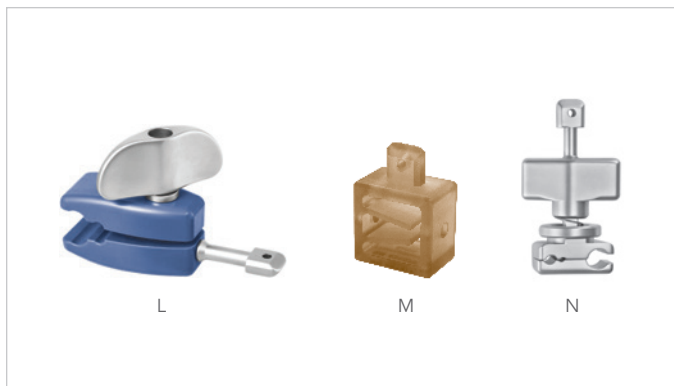
FLEXIBLE LAPAROSCOPIC HOLDERS (CURRENT)

REF	ITEM DESCRIPTION	PART #
I	Flexible Laparoscopic Holder for Power Rail Clamp	42133DN
J	Flexible Laparoscopic Holder for Elite (or IHRC)	42133DEN



OLDER GENERATION SCOPE HOLDERS

REF	ITEM DESCRIPTION	PART #
	Scope Holder "Stay Put Arm"	42137H
K	Scope Holder "Stay Put Arm" for Elite	42137HE



LAPAROSCOPIC ATTACHMENTS (CURRENT)

REF	ITEM DESCRIPTION	PART #
L	Adjustable Scope Grip	33181
M	Scope Clip 5mm *	42137F
	Scope Clip 7mm *	42137S
	Scope Clip 10mm *	42137T
	Scope Clip 11mm *	42137E
N	Duo Head with Tool Grasp Knob 3/5/10mm	42160N

* Scope Clips may be custom ordered to fit any size scope diameter.

S-LOCK® NATHANSON HOOKS (CURRENT)

REF	ITEM DESCRIPTION	PART #
	S-Lock Small 5mm (169mm x 125mm x 12mm)	SL42200
R	S-Lock Medium 5mm (203mm x 167mm x 16mm)	SL42201
	S-Lock Large 5mm (240mm x 222mm x 21mm)	SL42202
	S-Lock Small 6 ½mm (169mm x 125mm x 12mm)	SL42203
	S-Lock Medium 6 ½mm (203mm x 167mm x 16mm)	SL42204
	S-Lock Large 6 ½mm (240mm x 222mm x 21mm)	SL42205
S	S-Lock Nathanson Adapter	SL42161



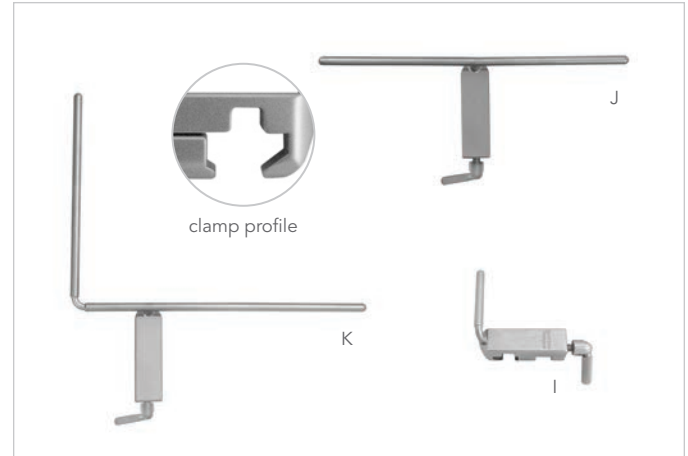
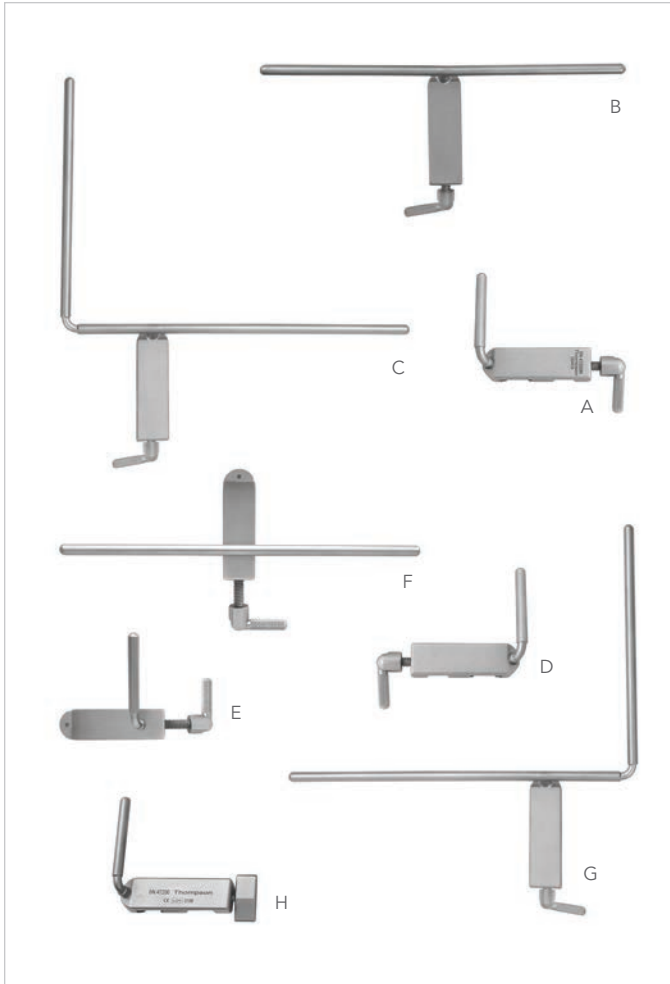
OLDER GEN. LAPAROSCOPIC ATTACHMENTS

REF	ITEM DESCRIPTION	PART #
O	Scope Grip	33154
P	Scope Grip Bushing 5mm **	42136F
	Scope Grip Bushing 10mm	42136T
Q	Duo Head 3/5/10mm	42160

** Additional sizes from 5.1mm - 5.8mm also available.

NATHANSON HOOKS (CURRENT)

REF	ITEM DESCRIPTION	PART #
	Small 5mm (169mm x 125mm x 12mm)	42200
T	Medium 5mm (203mm x 167mm x 16mm)	42201
	Large 5mm (240mm x 222mm x 21mm)	42202
	Small 6 ½mm (169mm x 125mm x 12mm)	42203
	Medium 6 ½mm (203mm x 167mm x 16mm)	42204
	Large 6 ½mm (240mm x 222mm x 21mm)	42205



RECESSED ATTACHMENTS (CURRENT) *

REF	ITEM DESCRIPTION	PART #
I	CV Clamp L-Bar Recess 2" (51mm)	47300N
J	CV Clamp T-Bar Recess 8" (203mm)	47301N
K	CV Clamp L-Bar Recess 6" x 8" (152mm x 203mm)	47302N
	CV Clamp Mini L-Bar Recess Reversed 2" (51mm)	47300NR
	CV Clamp Mini L-Bar Recess Offset 2" (51mm)	47300NF
	CV Clamp T-Bar Recess Offset 8" (203mm)	47301NF
	CV Clamp L-Bar Recess Reversed 6" x 8" (152mm x 203mm)	47302NR

* Recessed Attachments are designed to work with Ankeney sternal spreaders.

ATTACHMENTS (CURRENT)

REF	ITEM DESCRIPTION	PART #
A	CV Clamp L-Bar 2" (51mm)	47200N
B	CV Clamp T-Bar 8" (203mm)	47201N
C	CV Clamp L-Bar 6" x 8" (152mm x 203mm)	47202N
D	CV Clamp Mini L-Bar Reversed 2" (51mm)	47200NR
E	CV Clamp Mini L-Bar Offset 2" (51mm)	47200NF
F	CV Clamp T-Bar Offset 8" (203mm)	47201NF
G	CV Clamp L-Bar Reversed 6" x 8" (152mm x 203mm)	47202NR

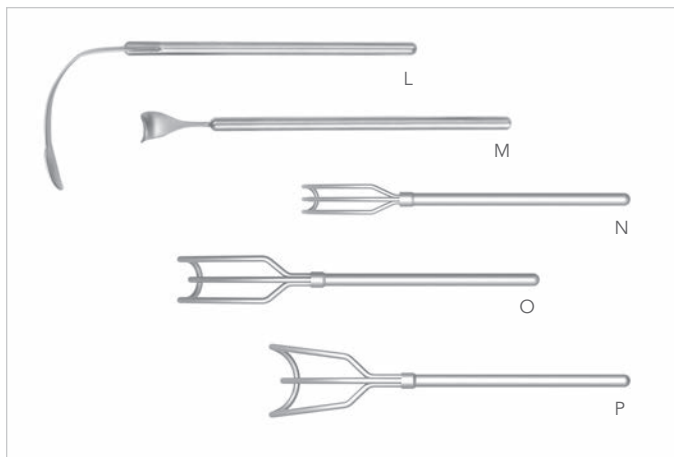


OLDER GENERATION ATTACHMENTS

REF	ITEM DESCRIPTION	PART #
H	CV Clamp L-Bar 2" (51mm)	47200
	CV Clamp T-Bar 8" (203mm)	47201
	CV Clamp L-Bar 6" x 8" (152mm x 203mm)	47202

STERNAL SPREADERS (CURRENT)

ITEM DESCRIPTION	PART #
Morse Sternal Spreader Blades 28mm (w) x 22mm (d) (1 1/8" x 7/8")	300251
Morse Sternal Spreader-Large Blades 28mm (w) x 38mm (d) (1 1/8" x 1 1/2")	300253

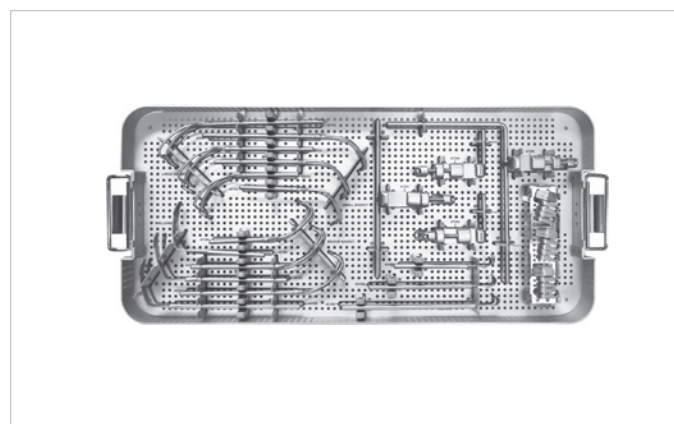


RETRACTORS (CURRENT)

UNIVERSAL JOINT (CURRENT)

REF	ITEM DESCRIPTION	PART #
	Malleable Paddle 5" (127mm)	43100
L	Malleable Paddle 6 ½" (165mm)	43101
	Malleable Paddle 8" (203mm)	43102
	Cushing 5" (127mm)	43103
M	Cushing 6 ½" (165mm)	43104
	Cushing 8" (203mm)	43105
	Basket Small 5" (127mm)	43106
N	Basket Small 6 ½" (165mm)	43107
	Basket Small 8" (203mm)	43108
	Basket Medium 5" (127mm)	43109
O	Basket Medium 6 ½" (165mm)	43110
	Basket Medium 8" (203mm)	43111
	Basket Large 5" (127mm)	43112
P	Basket Large 6 ½" (165mm)	43113
	Basket Large 8" (203mm)	43114

ITEM DESCRIPTION	PART #
Universal Joint	47204



ORGANIZED INSTRUMENT TRAY - BOLLING MITRAL VALVE (CURRENT)

ITEM DESCRIPTION	PART #
Bolling	50000BOL

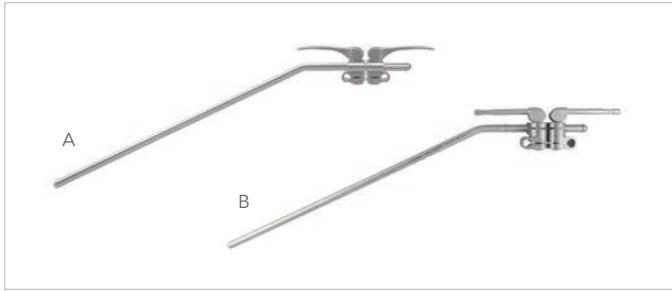


DRAKE HOOK (CURRENT)

INSTRUMENT TRAY - DRAKE HOOK (CURRENT)

ITEM DESCRIPTION	PART #
Drake Hook 258mm (10")	51251

ITEM DESCRIPTION	PART #
Drake Hook	50000DH

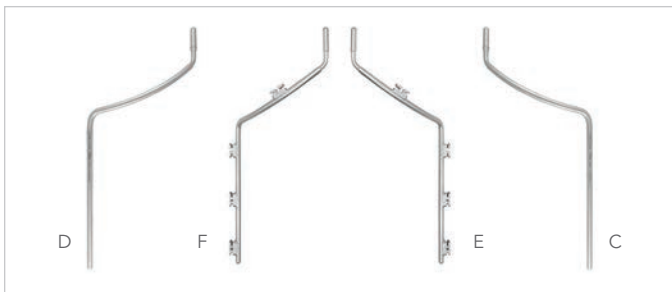


HIP CROSSBAR (CURRENT)

REF	ITEM DESCRIPTION	PART #
A	Crossbar w/2 Cam Joints 7" x 19 1/2"	43990

OLDER GENERATION HIP CROSSBAR

REF	ITEM DESCRIPTION	PART #
B	Crossbar w/2 Cam Joints 7" x 19 1/2"	41990



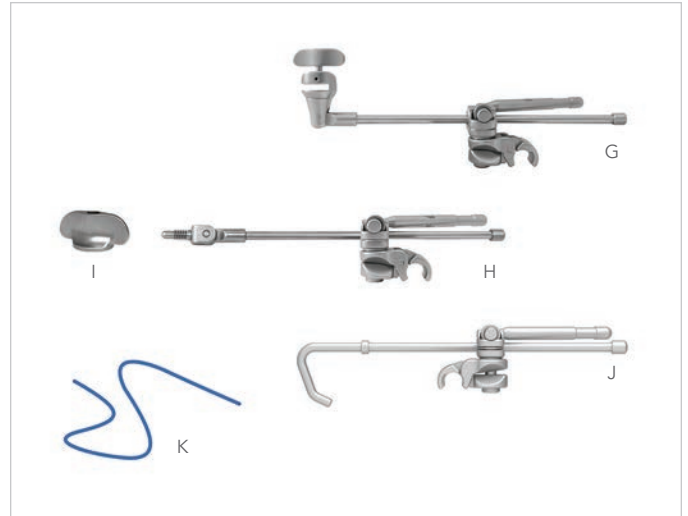
CURVED ARMS (CURRENT)

REF	ITEM DESCRIPTION	PART #
C	20" Curved Arm 1	44201
D	20" Curved Arm 2	44202
E	20" Curved Arm 1 with Cleats	44203
F	20" Curved Arm 2 with Cleats	44204



CLIP-ON HIP CLEAT (CURRENT)

ITEM DESCRIPTION	PART #
Clip-on Joint with Cleat	42103

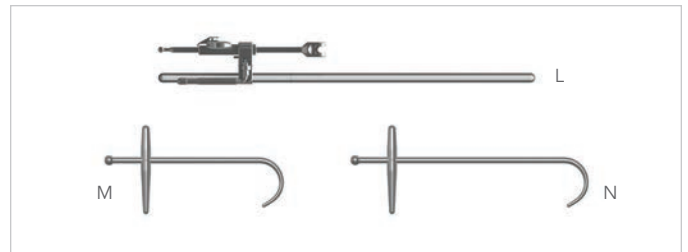


HIP HANDLES + TETHERS (CURRENT)

REF	ITEM DESCRIPTION	PART #
G	Cam II Clip-On Blade Adapter 8 1/2"	42126BP
H	Orthopedic Cam II Clip-On 8 1/2" (60025 required for use)	42126OP
I	Orthopedic Retractor Handle Knob	60025
J	Orthopedic Cam II Clip-On Hook 8 1/2"	42126OHP
K	Hip Tethers (5 Pack)	42105

OLDER GENERATION HIP HANDLES

ITEM DESCRIPTION	PART #
Cam II Clip-On Blade Adapter 8 1/2"	42126B
Orthopedic Cam II Clip-On 8 1/2"	42126O



FEMUR ELEVATORS (CURRENT)

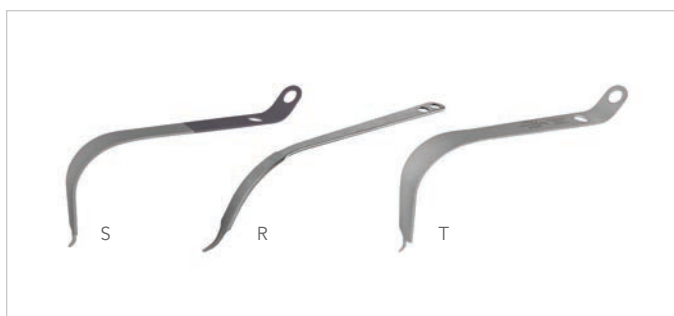
REF	ITEM DESCRIPTION	PART #
L	20" Straight Arm with Elevator Handle	44300
	25" Straight Arm with Elevator Handle	44301
M	Femur Hook 9"	44309
N	Femur Hook 12"	44312



SL ARTICULATING ARM + HIBBS BLADES (CURRENT)

REF	ITEM DESCRIPTION	PART #
O	S-Lock Articulating Arm	SL42190
P	Hibbs with Teeth Long 25mm x 75mm	SL46411T
	Hibbs with Teeth 25mm x 75mm (1" x 3")	SL46410T *
Q	Hibbs with Teeth 25mm x 115mm (1" x 4 1/2")	SL46414T *
	Hibbs with Teeth 25mm x 165mm (1" x 6 1/2")	SL46418T *

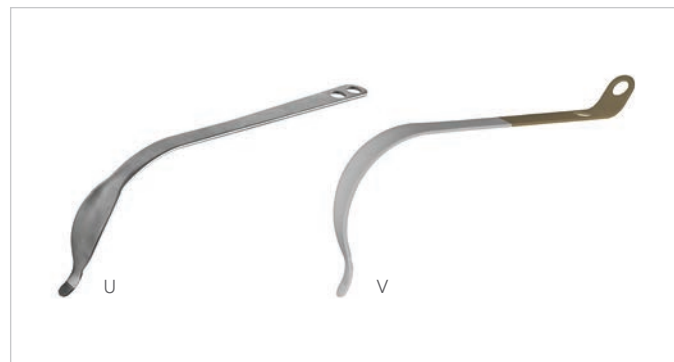
* Hibbs used with Micro-Adjustable Handles (page 16) for Muscle Retraction.



HOHMANN BLADES (CURRENT)

REF	ITEM DESCRIPTION	PART #
R	Hohmann Hip Blade 11"	45305
S	Curved Hohmann Narrow Hip Blade 12" [Coated]	45306C
	Curved Hohmann Narrow Hip Blade 12"	45306
T	Curved Hohmann Wide Hip Blade 12"	45307

NOTICE:
 Only parts unique to our Hip Systems shown on these pages. Additional parts shown with standard system components.



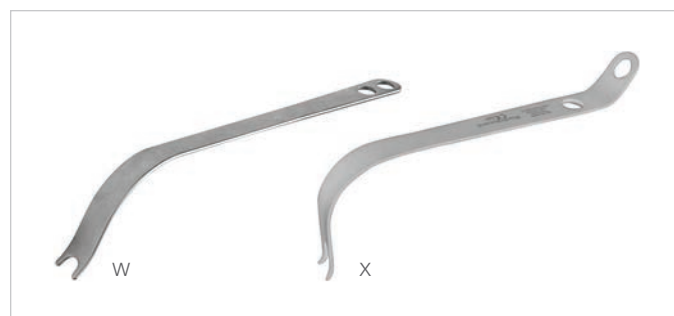
COBRA BLADES (CURRENT)

REF	ITEM DESCRIPTION	PART #
U	Cobra Hip Blade 11"	45301
V	Curved Cobra Hip Blade 12 1/2" [Coated]	45302C
	Curved Cobra Hip Blade 12 1/2"	45302



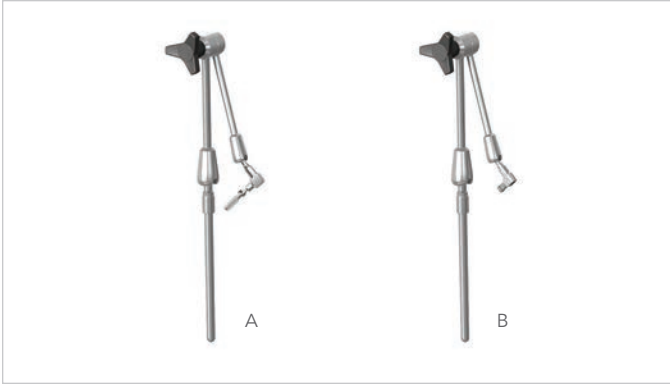
FEMORAL NECK ELEVATOR (CURRENT)

ITEM DESCRIPTION	PART #
Femoral Neck Elevator 14"	45300



DUAL PRONG BLADES (CURRENT)

REF	ITEM DESCRIPTION	PART #
W	Dual Prong Hip Blade 11"	45309
X	Curved Dual Prong Hip Blade 12"	45308

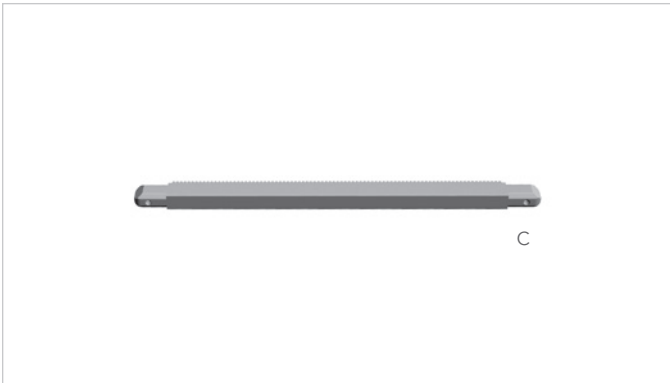


MIS SPINE ARTICULATING ARM (CURRENT)

REF	ITEM DESCRIPTION	PART #
A	MIS Spine Articulating Arm	42138N

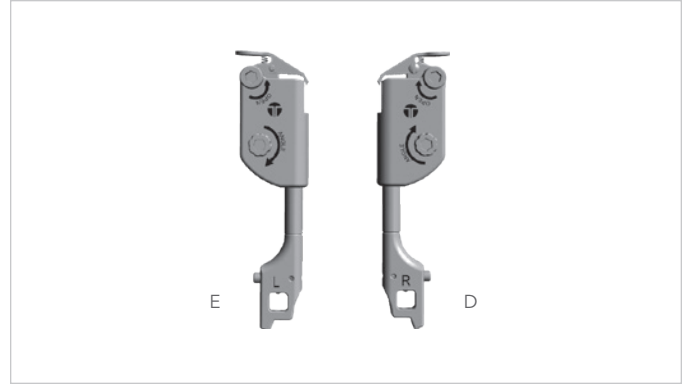
OLDER GENERATION MIS SPINE ARTICULATING ARM

REF	ITEM DESCRIPTION	PART #
B	MIS Spine Articulating Arm	42138S



MIS SPINE FRAME RACKS (CURRENT)

REF	ITEM DESCRIPTION	PART #
C	MIS Spine Frame Rack 200mm (7 7/8")	60010
	MIS Spine Frame Rack 150mm (5 7/8")	60011
	MIS Spine Frame Rack 250mm (9 7/8")	60012



MIS SPINE FRAME ARMS (CURRENT)

REF	ITEM DESCRIPTION	PART #
D	MIS Spine Frame Right Arm	60008
E	MIS Spine Frame Left Arm	60009



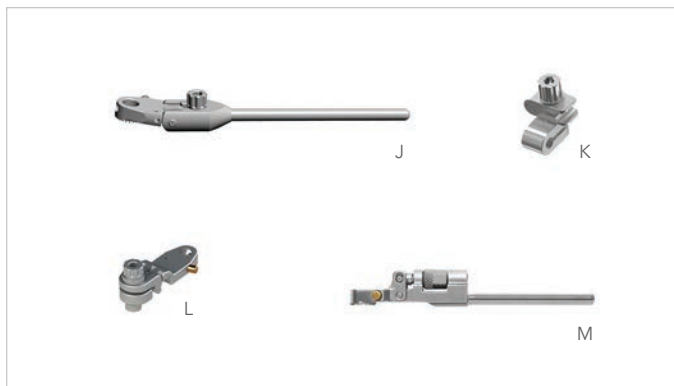
MIS SPINE FRAME ADD-ONS (CURRENT)

REF	ITEM DESCRIPTION	PART #
F	MIS Spine Frame U-Bar Add-On	47212
G	MIS Spine Frame L-Bar Add-On	47213

OLDER GENERATION MIS SPINE FRAME ADD-ONS

REF	ITEM DESCRIPTION	PART #
H	MIS Spine Frame U-Bar Add-On	47210
I	MIS Spine Frame L-Bar Add-On	47211

i NOTICE:
 This page shows parts unique to the MIS PLA® System only.
 Rail Clamp is shown on page 6.



MIS SPINE FRAME ATTACHMENTS (CURRENT)

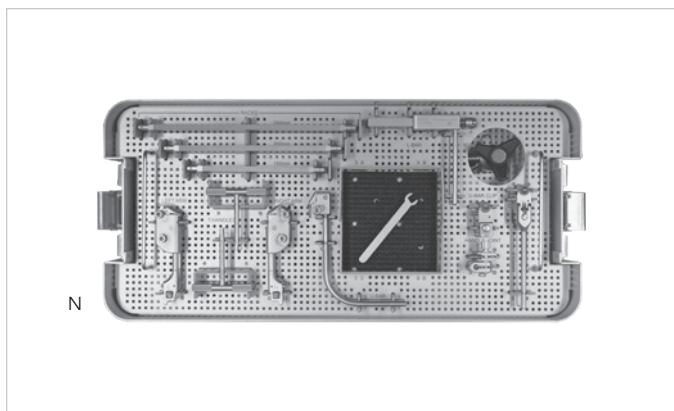
REF	ITEM DESCRIPTION	PART #
J	S-Lock Quick Angle Handle 6"	SL45003G
K	¼" Side Clip x ¼" Slide with Thumb Screw	47205T
L	S-Lock Interchangeable Head with ¼" Scissor	SL45012S

MIS PLA SEQUENTIAL DILATORS (CURRENT)

REF	ITEM DESCRIPTION	PART #
O	Dilator #1 - 7mm (¼")	45831
P	Dilator #2 - 12mm (½")	45832
Q	Dilator #3 - 17mm (⅝")	45833
R	Dilator #4 - 21mm (⅞")	45834

OLDER GEN. MIS SPINE FRAME ATTACHMENT

REF	ITEM DESCRIPTION	PART #
M	S-Lock Angling Handle 6"	SL45002AS



MIS PLA® INSTRUMENT TRAYS (CURRENT)

REF	ITEM DESCRIPTION	PART #
N	MIS Spine Frame	5000MSF
	PLA	5000PLA

Continued on next page »



CAUDAL / CEPHALAD BLADES

ITEM DESCRIPTION	LEFT PART #
Radiolucent R 22mm x 40mm (7/8" x 1 1/2")	45924R
Radiolucent L 22mm x 40mm (7/8" x 1 1/2")	45924L
Radiolucent R 22mm x 50mm (7/8" x 2")	45925R
Radiolucent L 22mm x 50mm (7/8" x 2")	45925L
Radiolucent R 22mm x 60mm (7/8" x 2 3/8")	45926R
Radiolucent L 22mm x 60mm (7/8" x 2 3/8")	45926L
Radiolucent R 22mm x 70mm (7/8" x 2 3/4")	45927R
Radiolucent L 22mm x 70mm (7/8" x 2 3/4")	45927L
Radiolucent R 22mm x 80mm (7/8" x 3 1/8")	45928R
Radiolucent L 22mm x 80mm (7/8" x 3 1/8")	45928L
Radiolucent R 22mm x 90mm (7/8" x 3 1/2")	45929R
Radiolucent L 22mm x 90mm (7/8" x 3 1/2")	45929L
Radiolucent R 22mm x 100mm (7/8" x 4")	45930R
Radiolucent L 22mm x 100mm (7/8" x 4")	45930L
Radiolucent R 22mm x 110mm (7/8" x 4 3/8")	45931R
Radiolucent L 22mm x 110mm (7/8" x 4 3/8")	45931L
Radiolucent R 22mm x 120mm (7/8" x 4 3/4")	45932R
Radiolucent L 22mm x 120mm (7/8" x 4 3/4")	45932L



MEDIAL / LATERAL BLADES W/LIP

ITEM DESCRIPTION	PART #
Radiolucent 13.5mm x 40mm (1/2" x 1 1/2")	SL46704AT
Radiolucent 13.5mm x 50mm (1/2" x 2")	SL46705AT
Radiolucent 13.5mm x 60mm (1/2" x 2 3/8")	SL46706AT
Radiolucent 13.5mm x 70mm (1/2" x 2 3/4")	SL46707AT
Radiolucent 13.5mm x 80mm (1/2" x 3 1/8")	SL46708AT
Radiolucent 13.5mm x 90mm (1/2" x 3 1/2")	SL46709AT
Radiolucent 13.5mm x 100mm (1/2" x 4")	SL46710AT
Radiolucent 13.5mm x 110mm (1/2" x 4 3/8")	SL46711AT
Radiolucent 13.5mm x 120mm (1/2" x 4 3/4")	SL46712AT

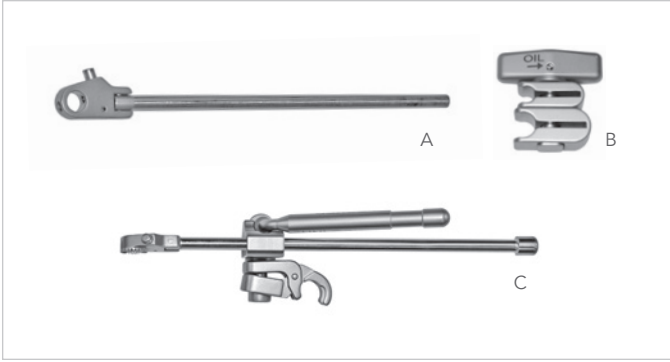
MEDIAL / LATERAL BLADES W/FINE TEETH

ITEM DESCRIPTION	PART #
Radiolucent 13.5mm x 40mm (1/2" x 1 1/2")	SL46604ATT
Radiolucent 13.5mm x 50mm (1/2" x 2")	SL46605ATT
Radiolucent 13.5mm x 60mm (1/2" x 2 3/8")	SL46606ATT
Radiolucent 13.5mm x 70mm (1/2" x 2 3/4")	SL46607ATT
Radiolucent 13.5mm x 80mm (1/2" x 3 1/8")	SL46608ATT
Radiolucent 13.5mm x 90mm (1/2" x 3 1/2")	SL46609ATT
Radiolucent 13.5mm x 100mm (1/2" x 4")	SL46610ATT
Radiolucent 13.5mm x 110mm (1/2" x 4 3/8")	SL46611ATT
Radiolucent 13.5mm x 120mm (1/2" x 4 3/4")	SL46612ATT



HOOK BLADES

ITEM DESCRIPTION	PART #
40mm (1 1/2")	SL45764
50mm (2")	SL45765
60mm (2 3/8")	SL45766
70mm (2 3/4")	SL45767
80mm (3 1/8")	SL45768
90mm (3 1/2")	SL45769
100mm (4")	SL45770
110mm (4 3/8")	SL45771
120mm (4 3/4")	SL45772



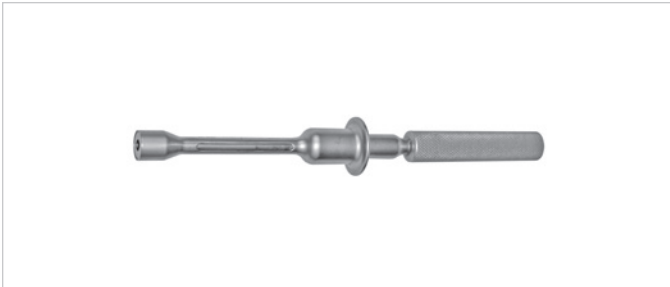
CCA HANDLES + CLIP-CLIP JOINT (CURRENT)

REF	ITEM DESCRIPTION	PART #
A	S-Lock Hinged Handle 8" (Clip-Clip Joint Required for use)	SL45003LH
B	Clip-Clip Joint 3/8" x 1/4"	42123
C	S-Lock Clip-On Hinged Handle 8" (to use CCA Bone Lever Blades with 1/2" frame components)	SL42126LH



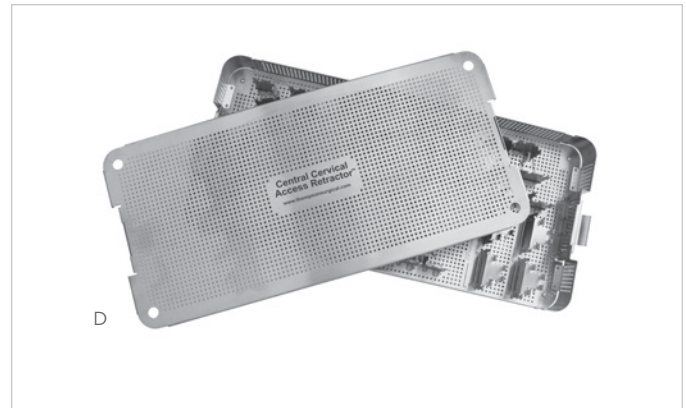
CCA BONE LEVER BLADES (CURRENT)

ITEM DESCRIPTION	PART #
Bone Lever 14mm x 40mm (1/2" x 1 1/2")	SL46982AC
Bone Lever 14mm x 50mm (1/2" x 2")	SL46983AC
Bone Lever 14mm x 60mm (1/2" x 2 3/8")	SL46984AC
Bone Lever 14mm x 70mm (1/2" x 2 3/4")	SL46985AC
Bone Lever 14mm x 80mm (1/2" x 3 1/8")	SL46986AC



MANIPULATOR HANDLE (CURRENT)

ITEM DESCRIPTION	PART #
Manipulator Handle	42128AC



CCA INSTRUMENT TRAYS (CURRENT)

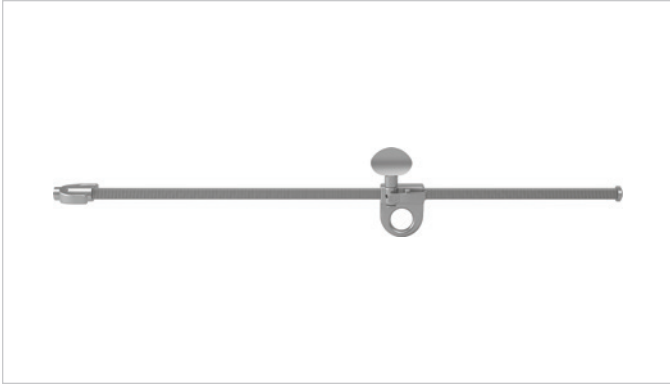
REF	ITEM DESCRIPTION	PART #
D	CCA Blades	50000CCAB
	CCA Frame	50000CCAF



SILICONE SLEEVES (CURRENT)

ITEM DESCRIPTION	PART #
Silicone Sleeve Large (single use)	64049

NOTICE: This page shows parts unique to the CCA System. Additional components common to other systems are shown with standard system components and blades.



TOWEL CLIP MICRO-ADJUSTABLE (CURRENT)

ITEM DESCRIPTION	PART #
Towel Clip Micro-Adjustable	35028



SALDANHA ARCHED BLADES (CURRENT)

ITEM DESCRIPTION	S-LOCK #	INTERCH. #
76mm x 140mm (3" x 5 1/2")	SO46103	46103



TUMMY TUCK BLADES (CURRENT)

ITEM DESCRIPTION	S-LOCK #	INTERCH. #
76mm x 140mm (3" x 5 1/2")	SO46400	46400
102mm x 140mm (4" x 5 1/2")	SO46401	46401



CAT'S PAW BLADES (CURRENT)

ITEM DESCRIPTION	S-LOCK #	INTERCH. #
6mm x 38mm (1/4" x 1 1/2")	SO46402	46402



TOWEL CLIP HOOKS (CURRENT)

ITEM DESCRIPTION	S-LOCK #	INTERCH. #
45mm x 64mm (1 3/4" x 2 1/2")	SO48001	48001

NOTICE: This page shows parts unique to the Body Contouring System. Additional components common to other systems are shown with standard system components and blades.

Product Index

Index by Part Number	79-93
Current Systems by Number	93
Service and Warranty Information	93
Product Measurement Guide	94-95

PART #	DESCRIPTION	PAGE	PART #	DESCRIPTION	PAGE
4500	Replacement Rotatable Knob	18	42125S	Cam II Slide-on Joint 1/2" x 1/4"	15
5844	Rail Extender 15" with 1 Power Rail Clamp.....	7	42125WA	Cam II Slide-on Angling 8"	18
5844B	Rail Extender 15" with 1 Power Rail Clamp (reverse of 5488).....	7	42125WH	Cam II Slide-on (non-angling) 8"	18
33154	Scope Grip	67	42126B	Cam II Clip-On Blade Adapter 8 1/2"	70
33181	Adjustable Scope Grip 5mm-11mm.....	67	42126BP	Cam II Clip-On Blade Adapter 8 1/2"	70
35028	Towel Clip Micro-Adjustable	77	42126C	Cam II Clip-On Joint 1/2" x 1/4"	15
40002MIS	MIS Retractor Lite LED	20	42126CP	Cam II Clip-On Pinch Joint 1/2" x 1/4"	14
40002MRL	Mini Retractor Lite LED	20	42126H	1 Piece Universal Hinge Joint 1/2" x 1/4"	14
40017	Lite Wand II Olympus Adapter.....	20	42126LC	Cam Latch Clip-On Joint 1/2" x 1/4"	15
40018	Lite Wand II Wolf Adapter.....	20	42126LN	Screw Down Latch Universal Clip Joint 1/2" x 1/4"	14
40019	Lite Wand II Storz Adapter.....	20	42126NCP	Clip-On Joint 1/2" x 1/4"	14, 18
40020RX	Retractor Lite Xe.....	20	42126O	Orthopedic Cam II Clip-On 8 1/2"	70
40020X	Lite Wand Xe	20	42126OHP	Orthopedic Cam II Clip-On Hook 8 1/2"	70
40024	Lite Clip - Single Use (Radiopaque).....	20	42126OP	Orthopedic Cam II Clip-On 8 1/2"	70
40025MRL	Mini Retractor Lite LED Lite Clip (Radiopaque) - Reverse	20	42126WA	Cam II Clip-on Angling Handle 8"	17
40026MRL	Mini Retractor Lite LED Lite Clip (Radiopaque).....	20	42126WAL	Cam II Clip On Angling Handle 10"	17
40732	90° Rigid Rod 10" x 20"	11	42126WDP	Cam II Clip-On Dual Angle Handle 8"	17
40733	90° Rigid Rod 14" x 19"	11	42126WFP	Cam II Clip-On Free Angle Handle 8"	17
40733A	90° Rigid Rod 17" x 19"	11	42126WGLP	Cam II Clip-on Quick Angle 10"	17
40733B	90° Rigid Rod 21" x 21"	11	42126WGP	Cam II Clip-on Quick Angle 8"	17
41900BAC	Crossbar with 2 Adjustable Cam Joints 24" (11" x 13")	8	42126WH	Cam II Clip-on 8" (non-angling)	17
41900BC	Crossbar with 2 Cam Joints 24" (11" x 13")	8	42126WHLP	Cam II Clip-On 10" (non-angling)	17
41900BCW	Crossbar with 2 Cam Joints 24" (8" x 16").....	8	42126WHP	Cam II Clip-on 8" (non-angling)	17
41900F	Bilateral Crossbar 7 1/4" x 13 1/2" x 7 1/4"	8	42127	Universal (Screw Down) Joint Wrench	17
41900FC	Bilateral Crossbar with 2 Joints	8	42127WA	Cam II Clip-on Angling 8" (3/4")	17
41900H	Bilateral Crossbar Hinged 34" (11" x 8 1/2" x 11").....	8	42127WGP	Cam II Clip-on Quick Angle 8" (3/4").....	17
41900HL	Bilateral Crossbar Hinged 41 1/2" (14" x 10" x 14").....	8	42128	Hand Held Adapter (for Fixed or Swivel retractors)	18
41900PH	Bilateral Crossbar Hinged 34" (11 1/2" x 8 1/2" x 11 1/2").....	8	42128AC	Manipulator Handle (CCA)	76
41900PHL	Bilateral Crossbar Hinged 41 1/2" (14 1/2" x 10" x 14 1/2").....	8	42128C	Locking Cam Hand Held Adapter	18
41902AC	Elite II Rail Clamp with 1 Cam Joint 18"	6	42133DEN	Laparoscopic Flexible Holder for Elite	66
41902ACL	Elite II Rail Clamp with 1 Cam Joint 16"	6	42133DN	Laparoscopic Flexible Holder for Power Rail Clamp	66
41902ACS	Elite II Rail Clamp with 1 Cam Joint 11"	6	42134N	Instrument Holder	66
41902IRC	Infinite Height Rail Clamp with 1 Cam Joint	6	42136F	Scope Grip Bushing 5mm	67
41902S	Elite II Rail Clamp with 1 (3/4") Cam Joint 11"	6	42136T	Scope Grip Bushing 10mm	67
41903AC	Elite II Rail Clamp with 2 Cam Joints 18"	6	42137E	Scope Clip 11mm.....	67
41903ACL	Elite II Rail Clamp with 2 Cam Joints 16"	6	42137F	Scope Clip 5mm.....	67
41903IRC	Infinite Height Rail Clamp with 2 Cam Joints.....	6	42137H	Scope Holder "Stay Put Arm"	66
41904AC	Elite II Rail Clamp with 1 Cam Joint 22"	6	42137HE	Scope Holder "Stay Put Arm" for Elite	66
41905AC	Elite II Rail Clamp with 2 Cam Joints 22"	6	42137S	Scope Clip 7mm.....	67
41906AC	Elite II Rail Clamp with 1 Cam Joint 26"	6	42137T	Scope Clip 10mm.....	67
41907AC	Elite II Rail Clamp with 2 Cam joints 26"	6	42138L	Laparoscopic Articulating Arm for Power Rail Clamp	66
41917	Rail Extender 14" with 2 Power Rail Clamps Offset	7	42138LE	Laparoscopic Articulating Arm for Elite.....	66
41927	Jackson Frame Adapter.....	7	42138N	MIS Spine Frame Articulating Arm	72
41929	Rail Extender 22" with 2 Power Rail Clamps	7	42138S	MIS Spine Frame Articulating Arm	72
41933	Hysterectomy Tray (Tray 6 1/2" x 10 1/4" - Total Length 21")	21	42139E	Laparoscopic Rigid Holder for Elite.....	66
41938	Rail Extender 20" with 1 Power Rail Clamp.....	7	42139EU	Universal Laparoscopic Rigid Holder for Elite	66
41950	Thompson Power Rail Clamp	7	42139HC	Laparoscopic Instrument Holder	66
41990	Crossbar with 2 Cam Joints 7" x 19 1/2"	8, 68	42139N	Laparoscopic Rigid Holder for Power Rail Clamp	66
42100	Circle Joint 1/2" x 1/4"	63	42139NC	Lap Retractor Holder on Rod	66
42101	Dual Angle Handle 8"	63	42139U	Universal Laparoscopic Rigid Holder for Power Rail Clamp.....	66
42102	Free Angle Handle 8"	63	42140C	Flexible Blade Holder Cam	61
42103	Clip-on Joint with Cleat.....	70	42160	Duo Head 3mm/5mm/10mm.....	67
42105	Hip Tethers 24" - 5 Pack.....	70	42160N	Duo Head 3mm/5mm/10mm with Tool Grasp Knob	67
42110C	Cam I Slide-on Joint 1/2" x 1/2"	12	42200	Nathanson Hook Sm (5mm) 169mm x 125mm x 12mm (6 5/8" x 5" x 1/2")	67
42110N	Slide-on Joint 1/2" x 1/2"	12	42201	Nathanson Hook Med (5mm) 203mm x 167mm x 16mm (8" x 6 1/2" x 5/8")	67
42110S	Cam II Slide-on Joint 1/2" x 1/2"	12	42202	Nathanson Hook Lg (5mm) 240mm x 222mm x 21mm (9 1/2" x 8 3/4" x 7/8").....	67
42110WH	Cam II Slide-on (non-angling) with 1/2" Handle Rod	18	42203	Nathanson Hook Sm (6.5mm) 169mm x 125mm x 12mm (6 5/8" x 5" x 1/2").....	67
42111H	1 Piece Universal Hinge Joint 1/2" x 1/2"	13	42204	Nathanson Hook Med (6.5mm) 203mm x 167mm x 16mm (8" x 6 1/2" x 5/8").....	67
42111LC	Latch Cam Joint 1/2" x 1/2"	12	42205	Nathanson Hook Lg (6.5mm) 240mm x 222mm x 21mm (9 1/2" x 8 3/4" x 7/8").....	67
42111LN	Latch Joint 1/2" x 1/2".....	13	42228	Manipulator Handle.....	18
42112C	Cam I Serrated Slide-on Joint 1/2" x 1/2"	12	42520	Fixed 1/2" Handle Weinberg 102mm x 152mm (4" x 6")	28
42112N	Universal Serrated Slide-on Joint 1/2" x 1/2"	13	42521	Fixed 1/2" Handle Weinberg 83mm x 133mm (3 1/4" x 5 1/4")	28
42123	Clip-Clip Joint 3/8" x 1/4"	76	42522	Fixed 1/2" Handle Weinberg 102mm x 203mm (4" x 8")	28
42124C	Cam I Slide-on Joint 1/4" x 1/4"	15	43032	Angling Head Wrench.....	17
42125C	Cam I Slide-On Joint 1/2" x 1/4"	15	43100	Malleable Paddle 5" (127mm).....	69
42125N	Slide-On Joint 1/2" x 1/4"	14, 18	43101	Malleable Paddle 6 1/2" (165mm).....	69
42125NM	Universal Slide-On Joint Reversed 1/4" x 1/2".....	14	43102	Malleable Paddle 8" (203mm).....	69
42125OC	Cam I Slide-on Joint 1/2" x 3/8"	15	43103	Cushing 5" (127mm).....	69

PRODUCT INDEX

PART #	DESCRIPTION	PAGE	PART #	DESCRIPTION	PAGE
43104	Cushing 6 1/2" (165mm).....	69	43902S	Elite III Rail Clamp with 1 3/8" Joint 11".....	6
43105	Cushing 8" (203mm).....	69	43903AC	Elite III Rail Clamp with 2 Joints 18".....	6
43106	Small Basket 5" (127mm).....	69	43903ACL	Elite III Rail Clamp with 2 Joints 16".....	6
43107	Small Basket 6 1/2" (165mm).....	69	43903IRC	Infinite Height Rail Clamp with 2 Cam III Joints.....	6
43108	Small Basket 8" (203mm).....	69	43904AC	Elite III Rail Clamp with 1 Joint 22".....	6
43109	Medium Basket 5" (127mm).....	69	43905AC	Elite III Rail Clamp with 2 Joints 22".....	6
43110	Medium Basket 6 1/2" (165mm).....	69	43906AC	Elite III Rail Clamp with 1 Joint 26".....	6
43111	Medium Basket 8" (203mm).....	69	43907AC	Elite III Rail Clamp with 2 Joints 26".....	6
43112	Large Basket 5" (127mm).....	69	43990	Crossbar with 2 Cam III Joints 7" x 19 1/2".....	8, 68
43112C	Cam III Serrated Slide-on Joint.....	12	44012H	Extension Arm 12" with Spring Hinge Joint.....	10
43113	Large Basket 6 1/2" (165mm).....	69	44012N	Straight Arm 12".....	10
43114	Large Basket 8" (203mm).....	69	44014	Angled Arm 12".....	9
43118	Fixed Malleable 25mm x 203mm (1" x 8").....	30	44014C	Extension Arm with Clip Joint 14".....	10
43118R	Fixed Malleable Renal 25mm x 203mm (1" x 8").....	38	44014H	Extension Arm 12" with Hinge Joint (3/8").....	10
43119C	Fixed Long Neck Renal 25mm x 191mm (1" x 7 1/2").....	37	44014HS	Extension Arm 12" with Hinge Joint.....	10
43122	Fixed Malleable 51mm x 203mm (2" x 8").....	30	44014LC	Extension Arm 12" with Cam Latch Joint.....	10
43122A	Fixed Malleable 51mm x 254mm (2" x 10").....	30	44014N	Angled Arm 12".....	9
43124	Fixed Malleable 64mm x 254 (2 1/2" x 10").....	30	44014S	Angled Arm 12" (6" x 6").....	9
43124A	Fixed Malleable 76mm x 254mm (3" x 10").....	30	44016C	Extension Arm with Clip Joint 16".....	10
43124B	Fixed Malleable 102 x 254mm (4" x 10").....	30	44020C	Extension Arm with Clip Joint 20".....	10
43125	Fixed Richardson 19mm x 25mm (3/4" x 1").....	35	44109B	Angled Closure Arm 9" (4 1/2" x 4 1/2").....	10
43125A	Fixed Richardson 19mm x 51mm (3/4" x 2").....	35	44110SP	Lower Abdominal Bar 16" (10" x 6").....	9
43126	Fixed Richardson 25mm x 32mm (1" x 1 1/4").....	35	44111SP	Lower Abdominal Bar 18" (10" x 8").....	9
43127	Fixed Kelly 38mm x 51mm (1 1/2" x 2").....	28	44112SP	Lower Abdominal Bar 20" (14" x 6").....	9
43128	Fixed Kelly 51mm x 64mm (2" x 2 1/2").....	28	44113B	Angled Closure Arm 13" (6 1/2" x 6 1/2").....	10
43129	Fixed Kelly 64mm x 76mm (2 1/2" x 3").....	28	44115	Hinged Extension Arm 12" x 12".....	10
43130	Fixed Kelly 76mm x 89mm (3" x 3 1/2").....	28	44117	Angled Arm 17" (10" x 7") @ 45° (3/8").....	9
43134	Fixed Fence 102mm x 102mm (4" x 4").....	29	44117N	Angled Arm 17" (10" x 7") @ 45°.....	9
43135	Fixed Fence 102mm x 127mm (4" x 5").....	29	44118B	Angled Closure Arm 18" (9" x 9").....	10
43136	Fixed Fence 102mm x 152mm (4" x 6").....	29	44118C	Straight Arm with 1 Cam Joint 18".....	10
43139	Fixed "Y" Bladder 81mm x 216mm (3 1/8" x 8 1/2").....	43	44118N	Angled Arm 18" (8" x 10") @ 45°.....	9
43140	Fixed Balfour [with lips] 70mm x 73mm (2 3/4" x 3").....	25	44119	Angled Arm 19" (12" x 7") @ 45° (3/8").....	9
43140C	Fixed Balfour [small lips] 70mm x 73mm (2 3/4" x 3").....	25	44120	Angled Arm 20" (10" x 10") @ 45°.....	9
43140P	Fixed Balfour [with lips] 76mm x 51mm (3" x 2").....	25	44120C	Straight Arm with 1 Cam Joint 20".....	10
43141	Fixed Balfour [with lips] 83mm x 73mm (3 1/4" x 3").....	25	44120N	Straight Arm 20".....	10
43141C	Fixed Balfour [small lips] 83mm x 73mm (3 1/4" x 3").....	25	44121B	Angled Closure Arm 21" (10 1/2" x 10 1/2").....	10
43141D	Fixed Balfour [with lips] 83mm x 123mm (3 1/4" x 5").....	25	44122DB	Double Angled Arm 22" (7" x 9" x 7").....	9
43141F	Fixed Balfour [with lips] 83mm x 175mm (3 1/2" x 6 7/8").....	25	44124	Angled Arm 24" (6" x 18") @ 45°.....	9
43142	Fixed Balfour [with lips] 32mm x 32mm (1 1/4" x 1 1/4").....	25	44124N	Angled Arm 24" (8" x 16") @ 45°.....	9
43142P	Fixed Balfour [with lips] 51mm x 54mm (2" x 2").....	25	44124W	Angled Arm 24" (11" x 13") @ 45°.....	9
43143	Fixed Fenestrated 44mm x 89mm (1 3/4" x 3 1/2").....	38	44126	Angled Arm 26" (6" x 20") @ 45°.....	9
43150	Fixed Richardson 51mm x 102mm (2" x 4").....	34	44128DB	Double Angled Arm 28" (7 1/4" x 13 1/2" x 7 1/4").....	9
43151	Fixed Richardson 51mm x 127mm (2" x 5").....	34	44200	Extension Arm 7 1/2" x 8 1/2" x 7 1/2".....	10
43152	Fixed Richardson 51mm x 152mm (2" x 6").....	34	44201	20" Curved Arm 1.....	70
43160	Fixed Harrington 64mm x 152mm (2 1/2" x 6").....	27	44202	20" Curved Arm 2.....	70
43162P	Fixed Harrington 38mm x 127mm (1 1/2" x 5").....	27	44203	20" Curved Arm with Cleats 1.....	70
43163	Fixed Harrington 64mm x 203mm (2 1/2" x 8").....	27	44204	20" Curved Arm with Cleats 2.....	70
43164	Fixed Harrington 64mm x 254mm (2 1/2" x 10").....	27	44218	Ring Half Hinged 14 1/2".....	10
43165	Fixed Harrington 64mm x 102mm (2 1/2" x 4").....	27	44220	Ring Extension Hinged 3".....	10
43170	Fixed Deaver 25mm x 127mm (1" x 5").....	36	44223	Ring Extension 4".....	10, 63
43172	Fixed Deaver 38mm x 127mm (1 1/2" x 5").....	36	44224	Ring Frame Half 13 1/2".....	10, 63
43174	Fixed Deaver 51mm x 127mm (2" x 5").....	36	44229	Ring Extension Hinged 4".....	10, 63
43175	Fixed Deaver 64mm x 127mm (2 1/2" x 5").....	36	44300	Straight Arm with Elevator Handle 20".....	70
43176	Fixed Deaver 76mm x 127mm (3" x 5").....	36	44301	Straight Arm with Elevator Handle 25".....	70
43182	Fixed Heaney 25mm x 127mm (1" x 5").....	42	44309	Femur Hook 9".....	70
43188	Fixed St Marks [with lip] 64mm x 178mm (2 1/2" x 7").....	35	44312	Femur Hook 12".....	70
43190	Fixed Double Bladed 76mm x 114mm (3" x 4 1/2").....	42	44328	Radio. Advanced MIS 18mm Concave Renal 25mm x 80mm (3/4" x 3 1/8").....	50
43214	Fixed Murphy Sharp 25mm x 19mm (1" x 3/4").....	39	44329	Radio. Advanced MIS 18mm Concave Renal 25mm x 90mm (3/4" x 3 1/2").....	50
43241A	Fixed Wide Balfour [no lips] 83mm x 57mm (3 1/4" x 2 1/4").....	26	44330	Radio. Advanced MIS 18mm Concave Renal 25mm x 100mm (3/4" x 4").....	50
43241B	Fixed Wide Balfour [no lips] 100mm x 61mm (4" x 2 3/8").....	26	44331	Radio. Advanced MIS 18mm Concave Renal 25mm x 110mm (3/4" x 4 3/8").....	50
43241C	Fixed Wide Balfour [no lips] 114mm x 63mm (4 1/2" x 2 1/2").....	26	44332	Radio. Advanced MIS 18mm Concave Renal 25mm x 120mm (3/4" x 4 3/4").....	50
43800	Crossbar with 1 Cam III Joint Mini-Incision.....	8	44333	Radio. Advanced MIS 18mm Concave Renal 18mm x 130mm (3/4" x 5 1/8").....	50
43900BC	Crossbar with 2 Cam III Joints 24" (11" x 13").....	8	44334	Radio. Advanced MIS 18mm Concave Renal 18mm x 140mm (3/4" x 5 1/2").....	50
43900BCW	Crossbar with 2 Cam III Joints 24" (8" x 16").....	8	44335	Radio. Advanced MIS 18mm Concave Renal 18mm x 150mm (3/4" x 5 7/8").....	50
43902AC	Elite III Rail Clamp with 1 Joint 18".....	6	44336	Radio. Advanced MIS 18mm Concave Renal 18mm x 160mm (3/4" x 6 1/4").....	50
43902ACL	Elite III Rail Clamp with 1 Joint 16".....	6	44337	Radio. Advanced MIS 18mm Concave Renal 18mm x 170mm (3/4" x 6 3/8").....	50
43902ACS	Elite III Rail Clamp with 1 Joint 11".....	6	44338	Radio. Advanced MIS 18mm Concave Renal 18mm x 180mm (3/4" x 7").....	50
43902IRC	Infinite Height Rail Clamp with 1 Cam III Joint.....	6	44339	Radio. Advanced MIS 18mm Concave Renal 18mm x 190mm (3/4" x 7 1/2").....	50

PART #	DESCRIPTION	PAGE	PART #	DESCRIPTION	PAGE
44340	Radio. Advanced MIS 18mm Concave Renal 18mm x 200mm (¾" x 7 7/8")	50	45005	Ratchet Retractor Handle Rotatable	19
44348	Radiolucent Concave Short Neck Renal 25mm x 80mm (1" x 3 1/8")	50	45005AL	Ratchet Angling Retractor Handle 10 1/4"	19
44349	Radiolucent Concave Short Neck Renal 25mm x 90mm (1" x 3 1/2")	50	45005G	Ratchet Quick Angle Retractor Handle 8"	19
44350	Radiolucent Concave Short Neck Renal 25mm x 100mm (1" x 4")	50	45005GL	Ratchet Quick Angle Retractor Handle 10 1/4"	19
44351	Radiolucent Concave Short Neck Renal 25mm x 110mm (1" x 4 3/8")	50	45005L	Ratchet Retractor Handle 10 1/4" (non-angling)	19
44352	Radiolucent Concave Short Neck Renal 25mm x 120mm (1" x 4 3/4")	50	45006BS	Micro-Adjustable II Slide-on 10 3/4" Bariatric (non-angling)	16
44353	Radiolucent Concave Short Neck Renal 25mm x 130mm (1" x 5 1/8")	50	45006BT	Micro-Adjustable II Slide-on 8 3/4" Bariatric (non-angling)	16
44354	Radiolucent Concave Short Neck Renal 25mm x 140mm (1" x 5 1/2")	50	45006BTC	Micro-Adjustable II Clip-on 10 3/4" Bariatric (non-angling)	16
44355	Radiolucent Concave Short Neck Renal 25mm x 150mm (1" x 5 7/8")	50	45006BTCP	Micro-Adjustable II Clip-on 10 3/4" Bariatric (non-angling)	16
44356	Radiolucent Concave Short Neck Renal 25mm x 160mm (1" x 6 1/4")	50	45006CA	Micro-Adjustable II Clip-on Angling 10"	16
44357	Radiolucent Concave Short Neck Renal 25mm x 170mm (1" x 6 5/8")	50	45006CAR	Micro-Adjustable II Clip-on Angling 15"	16
44358	Radiolucent Concave Short Neck Renal 25mm x 180mm (1" x 7")	50	45006CGP	Micro-Adjustable II Clip-on Quick Angle 10"	16
44359	Radiolucent Concave Short Neck Renal 25mm x 190mm (1" x 7 1/2")	50	45006CGRP	Micro-Adjustable II Clip-on Quick Angle 15"	16
44360	Radiolucent Concave Short Neck Renal 25mm x 200mm (1" x 7 7/8")	50	45006CL	Micro-Adjustable Latch 10 3/4" (non-angling)	16
44368	Radiolucent Advanced MIS Fine Vessel 80mm (3 1/8")	51	45006CR	Micro-Adjustable II Clip-on 15" Handle (non-angling)	16
44369	Radiolucent Advanced MIS Fine Vessel 90mm (3 1/2")	51	45006CS	Micro-Adjustable II Slide-on 10 3/4" (non-angling)	16
44370	Radiolucent Advanced MIS Fine Vessel 100mm (4")	51	45006LH	Micro-Adjustable Slide-on 10 3/4" (non-angling)	16
44371	Radiolucent Advanced MIS Fine Vessel 110mm (4 3/8")	51	45006LHB	Micro-Adjustable Slide-on 10 3/4" (non-angling)	16
44372	Radiolucent Advanced MIS Fine Vessel 120mm (4 3/4")	51	45006ST	Micro-Adjustable II Slide-on 8 3/4" (non-angling)	16
44373	Radiolucent Advanced MIS Fine Vessel 130mm (5 1/8")	51	45006STA	Micro-Adjustable II Slide-on Angling 10"	16
44374	Radiolucent Advanced MIS Fine Vessel 140mm (5 1/2")	51	45006STC	Micro-Adjustable II Clip-on 10 3/4" (non-angling)	16
44375	Radiolucent Advanced MIS Fine Vessel 150mm (5 7/8")	51	45006STCP	Micro-Adjustable II Clip-on 10 3/4" (non-angling)	16
44376	Radiolucent Advanced MIS Fine Vessel 160mm (6 1/4")	51	45007AH	Micro-Adjustable Universal Slide-on Angling 10"	16
44377	Radiolucent Advanced MIS Fine Vessel 170mm (6 5/8")	51	45007BTC	Micro-Adjustable II Clip-on 8 3/4" Bariatric (non-angling)	16
44378	Radiolucent Advanced MIS Fine Vessel 180mm (7")	51	45007BTCP	Micro-Adjustable II Clip-on 8 3/4" Bariatric (non-angling)	16
44379	Radiolucent Advanced MIS Fine Vessel 190mm (7 1/2")	51	45007CA	Micro-Adjustable II Clip-on Angling 7 3/4"	16
44380	Radiolucent Advanced MIS Fine Vessel 200mm (7 7/8")	51	45007CGP	Micro-Adjustable II Clip-on Quick Angle 7 3/4"	16
44410	Radio. Advanced MIS Reverse Tapered 20mm x 100mm (¾" x 4")	51	45007H	Micro-Adjustable Universal Slide-on 8 3/4" (non-angling)	16
44412	Radio. Advanced MIS Reverse Tapered 20mm x 110mm (¾" x 4 3/8")	51	45007P	Micro-Adjustable II Clip-on Angling 20 1/2"	16
44414	Radio. Advanced MIS Reverse Tapered 20mm x 120mm (¾" x 4 3/4")	51	45007PGP	Micro-Adjustable II Clip-on Quick Angle 20"	16
44416	Radio. Advanced MIS Reverse Tapered 20mm x 130mm (¾" x 5 1/8")	51	45007STA	Micro-Adjustable II Slide-on Angling 7 3/4"	16
44418	Radio. Advanced MIS Reverse Tapered 20mm x 140mm (¾" x 5 1/2")	51	45007STC	Micro-Adjustable II Clip-on 8 3/4" (non-angling)	16
44420	Radio. Advanced MIS Reverse Tapered 20mm x 150mm (¾" x 5 7/8")	51	45007STCP	Micro-Adjustable II Clip-on 8 3/4" (non-angling)	16
44422	Radio. Advanced MIS Reverse Tapered 20mm x 160mm (¾" x 6 1/4")	51	45007STG	Micro-Adjustable II Slide-on Quick Angle 7 3/4"	16
44424	Radio. Advanced MIS Reverse Tapered 20mm x 170mm (¾" x 6 5/8")	51	45008C	Micro-Adjustable II Rotatable Latch 10"	16
44426	Radio. Advanced MIS Reverse Tapered 20mm x 180mm (¾" x 7")	51	45008CH	Micro-Adjustable II Slide-on Rotatable 10"	16
44428	Radio. Advanced MIS Reverse Tapered 20mm x 190mm (¾" x 7 1/2")	51	45008CS	Micro-Adjustable II Slide-on Rotatable 10"	16
44430	Radio. Advanced MIS Reverse Tapered 20mm x 200mm (¾" x 7 7/8")	51	45008STC	Micro-Adjustable II Clip-on Rotatable 10"	16
44432	Radiolucent Concave 30mm x 60mm (1 1/8" x 2 3/8")	50	45008STCP	Micro-Adjustable II Clip-on Rotatable 10"	16
44614LC	Extension Arm 14" with Cam Latch Mount	10	45009CL	Micro-Adjustable Latch Angling 10"	16
44615FH	Extension Arm with Fixed Hinge Joint	10, 63	45009CS	Micro-Adjustable Slide-on Angling 10"	16
44616EFH	Elite III Rail Clamp with Extension Arm Fixed Hinge Joint	63	45010A	Mini Micro-Adjustable Clip-On Angling 8" (cervical use only)	16
44643	Extension Arm 90° 10" x 6"	11	45011CGP	Mini Micro-Adjustable Clip-on Quick Angle 9"	16
44646C	Upright Arm with Serrated Cam Joint 20"	11	45014AL	Angling Thompson Adapter Handle for SynFrame® 8 3/4"	19
44646N	Upright Arm with Universal Joint 20"	11	45014GL	Quick Angle Thompson Adapter Handle for SynFrame® 8 3/4"	19
44733	90° Collapsible Rod 14" x 19"	11	45014L	Thompson Adapter Handle for SynFrame® 8 3/4"	19
44733A	Collapsible 90° Rod 17" x 19"	11	45015	Rotatable Malleable 13mm x 64mm (1/2" x 2 1/2")	30
44733AC	Collapsible 90° Rod with 1 Cam Joint 17" x 19"	11	45016	Rotatable Malleable 13mm x 152mm (1/2" x 6")	30
44733B	Collapsible 90° Rod 21" x 21"	11	45017	Rotatable Malleable 13mm x 203mm (1/2" x 8")	30
44733BC	Collapsible 90° Rod with 1 Cam Joint 21" x 21"	11	45018	Rotatable Malleable 25mm x 203mm (1" x 8")	30
44733C	Collapsible 90° Rod with 1 Cam Joint 14" x 19"	11	45018A	Rotatable Malleable 25mm x 254mm (1" x 10")	30
44734	90° Collapsible Rod with Grooves	11	45018B	Rotatable Malleable 38mm x 254mm (1 1/2" x 10")	30
44800	Crossbar with 1 Cam Joint Mini-Incision	8	45018CE	Rotatable Radiolucent Long Neck Renal 25mm x 152mm (1" x 6")	37
45000	Rotatable Handle 6"	18	45018R	Rotatable Malleable Renal 25mm x 203mm (1" x 8")	38
45001	Rotatable Handle 8"	18	45019	Rotatable Malleable 25mm x 127mm (1" x 5")	30
45001L	Rotatable Handle 10"	18	45019A	Rotatable Malleable 25mm x 152mm (1" x 6")	31
45003	Interchangeable Handle 7 3/4" (non-angling)	18	45019B	Rotatable Rigid Concave Round Neck Renal 25mm x 127mm (1" x 5 1/2")	37
45003A	Angling Handle 8"	18	45019BE	Rotatable Radiolucent Malleable Concave Renal 25mm x 140mm (1" x 5 1/2")	37
45003AS	Angling II Handle 8"	18	45019C	Rotatable Rigid Concave Round Neck Renal 25mm x 191mm (1" x 7 1/2")	37
45003ASL	Angling II Handle 10"	18	45019CE	Rotatable Radio. Malleable Concave Renal 25mm x 191mm (1" x 7 1/2") [A]	37
45003GS	Quick Angle Handle 8"	18	45019RE	Rotatable Radiolucent Long Neck Renal 25mm x 140mm (1" x 5 1/2")	37
45003GSL	Quick Angle Handle 10"	18	45020	Rotatable Malleable 38mm x 102mm (1 1/2" x 4")	31
45003L	Interchangeable Handle 8" (non-angling)	18	45020RE	Rotatable Radiolucent Long Neck Renal 25mm x 178mm (1" x 7")	37
45003LM	Interchangeable Handle 10" (non-angling)	18	45021RE	Rotatable Radiolucent Long Neck Renal 25mm x 254mm (1" x 10")	37
45004	Rotatable Thompson Adapter Handle for Omni-Tract® 8 3/4"	19	45022	Rotatable Malleable 51mm x 203mm (2" x 8")	30
45004AL	Angling Thompson Adapter Handle for Omni-Tract® 8 3/4"	19	45022A	Rotatable Malleable 51mm x 254mm (2" x 10")	30
45004AL	Quick Angle Thompson Adapter Handle for Omni-Tract® 8 3/4"	19	45022E	Rotatable Radiolucent Malleable 51mm x 203mm (2" x 8")	31
45004L	Thompson Adapter Handle for Omni-Tract® 8 3/4" (non-angling)	19	45022RE	Rotatable Radiolucent Long Neck Renal 25mm x 305mm (1" x 12")	37

PRODUCT INDEX

PART #	DESCRIPTION	PAGE	PART #	DESCRIPTION	PAGE
45023	Rotatable Malleable 38mm x 203mm (1 1/2" x 8").....	30	45125	Swivel Richardson 19mm x 25mm (3/8" x 1").....	35
45024	Rotatable Malleable 64mm x 254mm (2 1/2" x 10").....	30	45125A	Swivel Richardson 19mm x 51mm (3/8" x 2").....	35
45024A	Rotatable Malleable 76mm x 254mm (3" x 10").....	30	45126	Swivel Richardson 25mm x 32mm (1" x 1 1/4").....	35
45024B	Rotatable Malleable 102mm x 254mm (4" x 10").....	30	45127	Swivel Kelly 38mm x 51mm (1 1/2" x 2").....	28
45024C	Rotatable Aortic Aneurysm Large 457mm x 229mm (18" x 9").....	40	45128	Swivel Kelly 51mm x 51mm (2" x 2").....	28
45024D	Rotatable Aortic Aneurysm Small 305mm x 216mm (12" x 8 1/2").....	40	45129	Swivel Kelly 64mm x 76mm (2 1/2" x 3").....	28
45027	Rotatable Kelly 38mm x 51mm (1 1/2" x 2").....	28	45130	Swivel Kelly 76mm x 89mm (3" x 3 1/2").....	28
45028	Rotatable Kelly 51mm x 64mm (2" x 2 1/2").....	28	45134	Swivel Fence 102mm x 102mm (4" x 4").....	29
45029	Rotatable Kelly 64mm x 76mm (2 1/2" x 3").....	28	45135	Swivel Fence 102mm x 127mm (4" x 5").....	29
45030	Rotatable Kelly 76mm x 89mm (3" x 3 1/2").....	28	45136	Swivel Fence 102mm x 152mm (4" x 6").....	29
45034	Rotatable Fence 102mm x 102mm (4" x 4").....	29	45137	Swivel Holtgrewe 60mm x 152mm (2 3/8" x 6").....	43
45035	Rotatable Fence 102mm x 127mm (4" x 5").....	29	45139	Swivel "Y" Bladder 81mm x 216mm (3 1/8" x 8 1/2").....	43
45036	Rotatable Fence 102mm x 152mm (4" x 6").....	29	45140	Swivel Balfour [with lips] 70mm x 73mm (2 3/4" x 3").....	25
45036A	Rotatable Fence 102mm x 203mm (4" x 8").....	29	45140C	Swivel Balfour [small lips] 70mm x 73mm (2 3/4" x 3").....	25
45037	Rotatable Holtgrewe Blade 60mm x 152mm (2 3/8" x 6") [Malleable].....	43	45140P	Swivel Balfour [with lips] 76mm x 51mm (2 3/4" x 2").....	25
45039	Rotatable "Y" Bladder 81mm x 216mm (3 1/8" x 8 1/2").....	43	45141	Swivel Balfour [with lips] 83mm x 73mm (3 1/4" x 3").....	25
45040	Rotatable Balfour [with lips] 70mm x 73mm (2 3/4" x 3").....	25	45141C	Swivel Balfour [small lips] 83mm x 73mm (3 1/4" x 3").....	25
45040C	Rotatable Balfour [small lips] 70mm x 73mm (2 3/4" x 3").....	25	45141D	Swivel Balfour [with lips] 83mm x 123mm (3 1/4" x 5").....	25
45040CE	Rotatable Radiolucent Balfour [small lips] 65mm x 72mm (2 3/4" x 3").....	25	45141F	Swivel Balfour [with lips] 83mm x 175mm (3 1/4" x 6 7/8").....	25
45040E	Rotatable Radiolucent Balfour [with lips] 65mm x 72mm (2 3/4" x 3").....	25	45142	Swivel Balfour [with lips] 32mm x 32mm (1 1/4" x 1 1/4").....	25
45040P	Rotatable Balfour [with lips] 76mm x 51mm (2 3/4" x 2").....	25	45142P	Swivel Balfour [with lips] 51mm x 54mm (2" x 2").....	25
45041	Rotatable Balfour [with lips] 83mm x 73mm (3 1/4" x 3").....	25	45143	Swivel Fenestrated 44mm x 89mm (1 3/4" x 3 1/2").....	38
45041C	Rotatable Balfour [small lips] 83mm x 73mm (3 1/4" x 3").....	25	45144	Swivel Fenestrated 48mm x 127mm (1 7/8" x 5").....	38
45041D	Rotatable Balfour [with lips] 83mm x 123mm (3 1/4" x 5").....	25	45145	Swivel Splanchnich 51mm x 114mm (2" x 4 1/2").....	29
45041E	Rotatable Radiolucent Balfour [with lips] 83mm x 70mm (3 1/4" x 3").....	25	45145E	Swivel Radiolucent Splanchnich 51mm x 152mm (2" x 6").....	29
45041F	Rotatable Balfour [with lips] 83mm x 175mm (3 1/4" x 6 7/8").....	25	45150	Swivel Richardson 51mm x 102mm (2" x 4").....	34
45042	Rotatable Balfour [with lips] 32mm x 32mm (1 1/4" x 1 1/4").....	25	45146	Swivel Splanchnich 51mm x 152mm (2" x 6").....	29
45042P	Rotatable Balfour [with lips] 51mm x 54mm (2" x 2").....	25	45150A	Concave Lateral 19mm x 55mm (7/8" x 2 1/8").....	53
45050	Rotatable Richardson 51mm x 102mm (2" x 4").....	34	45150AT	Radiolucent Concave Lateral 22mm x 60mm (7/8" x 2 3/8").....	52
45051	Rotatable Richardson 51mm x 127mm (2" x 5").....	34	45150ATT	Radiolucent Concave Lateral with Teeth 22mm x 60mm (7/8" x 2 3/8").....	53
45052	Rotatable Richardson 51mm x 152mm (2" x 6").....	34	45151	Swivel Richardson 51mm x 127mm (2" x 5").....	34
45053	Rotatable Richardson 51mm x 178mm (2" x 7").....	34	45151A	Concave Lateral 25mm x 50mm (1" x 2").....	53
45055	Rotatable Mini-Open Richardson 51mm x 76mm (2" x 3").....	33	45151AT	Radiolucent Concave Lateral 22mm x 70mm (7/8" x 2 3/4").....	52
45060	Rotatable Harrington 64mm x 152mm (2 1/2" x 6").....	27	45151ATT	Radiolucent Concave Lateral with Teeth 22mm x 70mm (7/8" x 2 3/4").....	53
45060E	Rotatable Radiolucent Harrington 64mm x 152mm (2 1/2" x 6").....	27	45152	Swivel Richardson 51mm x 152mm (2" x 6").....	34
45061	Rotatable Harrington 114mm x 254mm (4 1/2" x 10").....	27	45152A	Concave Lateral 25mm x 85mm (1" x 3 3/8").....	53
45063	Rotatable Harrington 64mm x 203mm (2 1/2" x 8").....	27	45152AT	Radiolucent Concave Lateral 22mm x 80mm (1" x 3 1/8").....	52
45064	Rotatable Harrington 64mm x 254mm (2 1/2" x 10").....	27	45152ATT	Radiolucent Concave Lateral with Teeth 22mm x 80mm (1" x 3 1/8").....	53
45070	Rotatable Deaver 25mm x 127mm (1" x 5").....	36	45153	Swivel Richardson 51mm x 178mm (2" x 7").....	34
45072	Rotatable Deaver 38mm x 127mm (1 1/2" x 5").....	36	45153A	Concave Medial 32mm x 70mm (1 1/4" x 2 3/4").....	58
45074	Rotatable Deaver 51mm x 127mm (2" x 5").....	36	45154A	Concave Medial 38mm x 70mm (1 1/2" x 2 3/4").....	58
45075	Rotatable Deaver 64mm x 127mm (2 1/2" x 5").....	36	45155A	Concave Medial 38mm x 85mm (1 1/2" x 3 3/8").....	58
45076	Rotatable Deaver 76mm x 127mm (3" x 5").....	36	45156A	Concave Lateral 25mm x 30mm (1" x 1 1/4").....	53
45076E	Rotatable Radiolucent Deaver 76mm x 127mm (3" x 5").....	36	45157A	Concave Lateral 25mm x 40mm (1" x 1 1/2").....	53
45080	Rotatable Heaney 25mm x 102mm (1" x 4").....	42	45158	Swivel Mini-Open Richardson 51mm x 152mm (2" x 6").....	33
45082	Rotatable Heaney 25mm x 127mm (1" x 5").....	42	45158A	Concave Lateral 25mm x 60mm (1" x 2 3/8").....	53
45083	Rotatable Allison Lung 229mm (9").....	40	45159A	Concave Lateral 25mm x 70mm (1" x 2 3/4").....	53
45087A	Rotatable St Marks [no lip] 64mm x 178mm (2 1/2" x 7").....	35	45160	Swivel Harrington 64mm x 152mm (2 1/2" x 6").....	27
45088	Rotatable St Marks [with lip] 64mm x 178mm (2 1/2" x 7").....	35	45160A	Concave Longitudinal 23mm x 30mm (1" x 1 1/4").....	55
45089	Rotatable St Marks [with lip] 64mm x 140mm (2 1/2" x 5 1/2").....	35	45160AT	Radiolucent Concave Longitudinal 23mm x 30mm (1" x 1 1/4").....	55
45090	Rotatable Double Bladed 76mm x 114mm (3" x 4 1/2").....	42	45160EB	Radiolucent Concave Longitudinal 23mm x 30mm (1" x 1 1/4") [Anodized].....	55
45091	Rotatable Malleable Finger 152mm (6").....	31	45161	Swivel Harrington 114mm x 254mm (4 1/2" x 10").....	27
45115	Swivel Malleable 13mm x 64mm (1/2" x 2 1/2").....	30	45161A	Concave Longitudinal 23mm x 50mm (1" x 2").....	55
45116	Swivel Malleable 13mm x 152mm (1/2" x 6").....	30	45161AT	Radiolucent Concave Longitudinal 23mm x 40mm (1" x 1 1/2").....	55
45117	Swivel Malleable 13mm x 203mm (1/2" x 8").....	30	45161EB	Radiolucent Concave Longitudinal 23mm x 40mm (1" x 1 1/2") [Anodized].....	55
45118	Swivel Malleable 25mm x 203mm (1" x 8").....	30	45162A	Concave Longitudinal 23mm x 70mm (1" x 2 3/4").....	55
45118A	Swivel Malleable 25mm x 254mm (1" x 10").....	30	45162AT	Radiolucent Concave Longitudinal 23mm x 50mm (1" x 2").....	55
45118P	Swivel Malleable 25mm x 102mm (1" x 4").....	30	45162EB	Radiolucent Concave Longitudinal 23mm x 50mm (1" x 2") [Anodized].....	55
45118R	Swivel Malleable Renal 25mm x 203mm (1" x 8").....	38	45162P	Swivel Harrington 38mm x 127mm (1 1/2" x 5").....	27
45119A	Swivel Malleable 25mm x 152mm (1" x 6").....	31	45163	Swivel Harrington 64mm x 203mm (2 1/2" x 8").....	27
45122	Swivel Malleable 51mm x 203mm (2" x 8").....	30	45163AT	Radiolucent Concave Longitudinal 23mm x 60mm (1" x 2 3/8").....	55
45122A	Swivel Malleable 51mm x 254mm (2" x 10").....	30	45163EB	Radiolucent Concave Longitudinal 23mm x 60mm (1" x 2 3/8") [Anodized].....	55
45122P	Swivel Malleable 51mm x 102mm (2" x 4").....	30	45164	Swivel Harrington 64mm x 254mm (2 1/2" x 10").....	27
45123	Swivel Malleable 38mm x 203mm (1 1/2" x 8").....	30	45164AT	Radiolucent Concave Longitudinal 23mm x 70mm (1" x 2 3/4").....	55
45124	Swivel Malleable 57mm x 254mm (2 1/2" x 10").....	30	45164EB	Radiolucent Concave Longitudinal 23mm x 70mm (1" x 2 3/4") [Anodized].....	55
45124A	Swivel Malleable 76mm x 254mm (3" x 10").....	30	45165AT	Radiolucent Concave Longitudinal 23mm x 80mm (1" x 3 1/8").....	55
45124B	Swivel Malleable 102mm x 254mm (4" x 10").....	30	45165EB	Radiolucent Concave Longitudinal 23mm x 80mm (1" x 3 1/8") [Anodized].....	55
45124D	Swivel Aortic Aneurysm Small 305mm x 216mm (12" x 8 1/2").....	40	45166AT	Radiolucent Concave Longitudinal 23mm x 90mm (1" x 3 1/2").....	55

PART #	DESCRIPTION	PAGE	PART #	DESCRIPTION	PAGE
45167AT	Radiolucent Concave Longitudinal 23mm x 100mm (1" x 3 7/8")	55	45616AT	Meyerding with Teeth 51mm x 125mm (2" x 5")	59
45168AT	Radiolucent Concave Longitudinal 23mm x 110mm (1" x 4 1/4")	55	45620A	Army Navy 13mm x 55mm (1/2" x 2 1/8")	58
45170	Swivel Deaver 25mm x 127mm (1" x 5")	36	45621A	Army Navy 13mm x 65mm (1/2" x 2 5/8")	58
45172	Swivel Deaver 38mm x 127mm (1 1/2" x 5")	36	45622A	Army Navy 13mm x 75mm (1/2" x 3 1/8")	58
45174	Swivel Deaver 51mm x 127mm (2" x 5")	36	45624AT	Radiolucent MIS Tapered 15mm x 23mm x 35mm (5/8" x 1" x 1 3/8")	58
45175	Swivel Deaver 64mm x 127mm (2 1/2" x 5")	36	45625AT	Radiolucent MIS Tapered 15mm x 23mm x 40mm (5/8" x 1" x 1 1/2")	58
45176	Swivel Deaver 76mm x 127mm (3" x 5")	36	45626AT	Radiolucent MIS Tapered 15mm x 23mm x 45mm (5/8" x 1" x 1 3/4")	58
45182	Swivel Heany 25mm x 127mm (1" x 5")	42	45627AT	Radiolucent MIS Tapered 15mm x 23mm x 50mm (5/8" x 1" x 2")	58
45185	Swivel Hill-Ferguson 32mm x 76mm (1 1/4" x 3")	45	45628AT	Radiolucent MIS Tapered 15mm x 23mm x 55mm (5/8" x 1" x 2 1/8")	58
45186	Swivel Hill-Ferguson 22mm x 64mm (7/8" x 2 1/2")	45	45629AT	Radiolucent MIS Tapered 15mm x 23mm x 60mm (5/8" x 1" x 2 3/8")	58
45188	Swivel St Marks [with lip] 64mm x 178mm (2 1/2" x 7")	35	45630AT	Radiolucent MIS Tapered 15mm x 23mm x 65mm (5/8" x 1" x 2 1/2")	58
45190	Swivel Double Bladed 76mm x 114mm (3" x 4 1/2")	42	45631AT	Radiolucent MIS Tapered 15mm x 23mm x 70mm (5/8" x 1" x 2 3/4")	58
45191	Swivel Malleable Finger 152mm (6")	31	45632AT	Radiolucent MIS Tapered 15mm x 23mm x 75mm (5/8" x 1" x 3")	58
45192	Swivel Bladder 35mm x 89mm (1 3/8" x 3 1/2")	43	45639EB	Radiolucent Concave Tapered 23mm x 30mm (1" x 1 1/8") [Anodized Al]	54
45210	Swivel Volkman Sharp 29mm x 19mm (1 1/8" x 3/4")	39	45639EBT	Radiolucent Concave Tapered with Teeth 23mm x 30mm (1" x 1 1/8") [AA]	54
45211	Swivel Volkman Blunt 29mm x 19mm (1 1/8" x 3/4")	39	45640A	Concave Lateral 18mm x 70mm (5/8" x 2 3/4")	53
45212	Swivel Volkman Sharp 19mm x 19mm (3/4" x 3/4")	39	45641A	Concave Tapered 45mm x 50mm (1 3/4" x 2")	54
45212A	Concave Medial 13mm x 50mm (1/2" x 2")	58	45641AT	Radiolucent Concave Tapered 51mm x 50mm (2" x 2")	54
45213	Swivel Volkman Blunt 16mm x 19mm (5/8" x 3/4")	39	45641ATT	Radiolucent Concave Tapered with Teeth 51mm x 50mm (2" x 2")	55
45214	Swivel Murphy Sharp 25mm x 19mm (1" x 3/4")	39	45642A	Concave Tapered 45mm x 65mm (1 3/4" x 2 1/2")	54
45214A	Concave Medial 13mm x 75mm (1/2" x 3")	58	45642AT	Radiolucent Concave Tapered 51mm x 65mm (2" x 2 1/2")	54
45215	Swivel Murphy Blunt 25mm x 22mm (1" x 7/8")	39	45642ATT	Radiolucent Concave Tapered with Teeth 51mm x 65mm (2" x 2 1/2")	55
45216	Swivel Murphy Sharp 19mm x 22mm (3/4" x 7/8")	39	45643A	Concave Tapered 19mm x 35mm (3/4" x 1 3/8")	54
45216A	Concave Medial 13mm x 100mm (1/2" x 4")	58	45643AT	Radiolucent Concave Tapered 23mm x 35mm (1" x 1 3/8")	54
45217	Swivel Murphy Blunt 19mm x 22mm (3/4" x 7/8")	39	45643ATT	Radiolucent Concave Tapered with Teeth 23mm x 35mm (1" x 1 3/8")	54
45222A	Concave Medial 19mm x 50mm (3/4" x 2")	58	45643EB	Radiolucent Concave Tapered 23mm x 35mm (1" x 1 3/8") [Anodized Al]	54
45224A	Concave Medial 19mm x 75mm (3/4" x 3")	58	45643EBT	Radiolucent Concave Tapered with Teeth 23mm x 35mm (1" x 1 3/8") [AA]	54
45226A	Concave Medial 19mm x 100mm (3/4" x 4")	58	45644AT	Radiolucent Concave Tapered 23mm x 40mm (1" x 1 1/2")	54
45232A	Concave Medial 25mm x 50mm (1" x 2")	58	45644ATT	Radiolucent Concave Tapered with Teeth 23mm x 40mm (1" x 1 1/2")	54
45234A	Concave Medial 25mm x 75mm (1" x 3")	58	45644EB	Radiolucent Concave Tapered 23mm x 40mm (1" x 1 1/2") [Anodized Al]	54
45236A	Concave Medial 25mm x 100mm (1" x 4")	58	45644EBT	Radiolucent Concave Tapered with Teeth 23mm x 40mm (1" x 1 1/2") [AA]	54
45300	Femoral Neck Elevator 14"	71	45645A	Concave Tapered 19mm x 45mm (3/4" x 1 3/4")	54
45301	Cobra Hip Blade 11"	71	45645AT	Radiolucent Concave Tapered 23mm x 45mm (1" x 1 3/4")	54
45302	Curved Cobra Hip Blade 12 1/2"	71	45645ATT	Radiolucent Concave Tapered with Teeth 23mm x 45mm (1" x 1 3/4")	54
45302C	Curved Cobra Hip Blade 12 1/2" [Coated]	71	45645EB	Radiolucent Concave Tapered 23mm x 45mm (1" x 1 3/4") [Anodized Al]	54
45305	Hohmann Hip Blade 11"	71	45645EBT	Radiolucent Concave Tapered with Teeth 23mm x 45mm (1" x 1 3/4") [AA]	54
45306	Curved Hohmann Narrow Hip Blade 12"	71	45646A	Concave Tapered 19mm x 50mm (3/4" x 2")	54
45306C	Curved Hohmann Narrow Hip Blade 12" [Coated]	71	45646AT	Radiolucent Concave Tapered 23mm x 50mm (1" x 2")	54
45307	Curved Hohmann Wide Hip Blade 12"	71	45646ATT	Radiolucent Concave Tapered with Teeth 23mm x 50mm (1" x 2")	55
45308	Curved Dual Prong Hip Blade 12"	71	45646EB	Radiolucent Concave Tapered 23mm x 50mm (1" x 2") [Anodized Al]	54
45309	Dual Prong Hip Blade 11"	71	45646EBT	Radiolucent Concave Tapered with Teeth 23mm x 50mm (1" x 2") [AA]	55
45600A	Meyerding 16mm x 75mm (5/8" x 3")	59	45647AT	Radiolucent Concave Tapered 23mm x 55mm (1" x 2 1/8")	54
45600AT	Meyerding with Teeth 16mm x 75mm (5/8" x 3")	59	45647ATT	Radiolucent Concave Tapered with Teeth 23mm x 55mm (1" x 2 1/8")	55
45601A	Meyerding 16mm x 100mm (5/8" x 4")	59	45647EB	Radiolucent Concave Tapered 23mm x 55mm (1" x 2 1/8") [Anodized Al]	54
45601AT	Meyerding with Teeth 16mm x 100mm (5/8" x 4")	59	45647EBT	Radiolucent Concave Tapered with Teeth 23mm x 55mm (1" x 2 1/8") [AA]	55
45602A	Meyerding 25mm x 100mm (1" x 4")	59	45648AT	Radiolucent Concave Tapered 23mm x 60mm (1" x 2 3/8")	54
45602AT	Meyerding with Teeth 25mm x 100mm (1" x 4")	59	45648ATT	Radiolucent Concave Tapered with Teeth 23mm x 60mm (1" x 2 3/8")	55
45603A	Meyerding 25mm x 125mm (1" x 5")	59	45648EB	Radiolucent Concave Tapered 23mm x 60mm (1" x 2 3/8") [Anodized Al]	54
45603AT	Meyerding with Teeth 25mm x 125mm (1" x 5")	59	45648EBT	Radiolucent Concave Tapered with Teeth 23mm x 60mm (1" x 2 3/8") [AA]	55
45604A	Peress 60mm x 102mm (2 3/8" x 4")	61	45649AT	Radiolucent Concave Tapered 23mm x 65mm (1" x 2 1/2")	54
45605A	Peress 60mm x 127mm (2 3/8" x 5")	61	45649ATT	Radiolucent Concave Tapered with Teeth 23mm x 65mm (1" x 2 1/2")	55
45606A	Peress 60mm x 152mm (2 3/8" x 6")	61	45649EB	Radiolucent Concave Tapered 23mm x 65mm (1" x 2 1/2") [Anodized Al]	54
45607A	Peress 35mm x 102mm (1 3/8" x 4")	61	45649EBT	Radiolucent Concave Tapered with Teeth 23mm x 65mm (1" x 2 1/2") [AA]	55
45608A	Peress 35mm x 127mm (1 3/8" x 5")	61	45650A	Nerve Root Retractor 9mm x 114mm (3/8" x 4 1/2")	61
45609A	Peress 35mm x 152mm (1 3/8" x 6")	61	45650AT	Radiolucent Concave Tapered 23mm x 70mm (1" x 2 3/4")	54
45610A	Meyerding 25mm x 60mm (1" x 2 3/8")	59	45650ATT	Radiolucent Concave Tapered with Teeth 23mm x 70mm (1" x 2 3/4")	55
45610AT	Meyerding with Teeth 25mm x 60mm (1" x 2 3/8")	59	45650EB	Radiolucent Concave Tapered 23mm x 70mm (1" x 2 3/4") [Anodized Al]	54
45611A	Meyerding 25mm x 75mm (1" x 3")	59	45650EBT	Radiolucent Concave Tapered with Teeth 23mm x 70mm (1" x 2 3/4") [AA]	55
45611AT	Meyerding with Teeth 25mm x 75mm (1" x 3")	59	45651A	Nerve Root Retractor 13mm x 114mm (1/2" x 4 1/2")	61
45612A	Meyerding 51mm x 60mm (2" x 2 3/8")	59	45651EB	Radiolucent Concave Tapered 23mm x 75mm (1" x 3") [Anodized Al]	54
45612AET	Radiolucent Meyerding 51mm x 60mm (2" x 2 3/8")	59	45651EBT	Radiolucent Concave Tapered with Teeth 23mm x 75mm (1" x 3") [AA]	55
45612AT	Meyerding with Teeth 51mm x 60mm (2" x 2 3/8")	59	45652EB	Radiolucent Concave Tapered 23mm x 80mm (1" x 3 1/8") [Anodized Al]	55
45613A	Meyerding 51mm x 75mm (2" x 3")	59	45652EBT	Radiolucent Concave Tapered with Teeth 23mm x 80mm (1" x 3 1/8") [AA]	55
45613AT	Meyerding with Teeth 51mm x 75mm (2" x 3")	59	45656A	Malleable 25mm x 110mm (1" x 4 1/2")	30
45614A	Meyerding 16mm x 51mm (5/8" x 2")	59	45656AT	Radiolucent Malleable 25mm x 110mm (1" x 4 1/2")	30
45614AT	Meyerding with Teeth 16mm x 51mm (5/8" x 2")	59	45657A	Malleable 13mm x 90mm (1/2" x 3 1/2")	30
45615A	Meyerding 51mm x 100mm (2" x 4")	59	45657AT	Radiolucent Malleable 13mm x 90mm (1/2" x 3 1/2")	30
45616A	Meyerding 51mm x 125mm (2" x 5")	59	45660Q	Swivel Double Angled 25mm x 76mm (1" x 3")	41

PRODUCT INDEX

PART #	DESCRIPTION	PAGE	PART #	DESCRIPTION	PAGE
45661Q	Swivel Double Angled 25mm x 64mm (1" x 2 1/2").....	41	46118A	Malleable 25mm x 254mm (1" x 10")	30
45662Q	Swivel Double Angled 13mm x 76mm (1/2" x 3").....	41	46118B	Malleable 38mm x 254mm (1 1/2" x 10")	30
45663Q	Swivel Double Angled 13mm x 64mm (1/2" x 2 1/2").....	41	46118C	Malleable 25mm x 76mm (1" x 3")	31
45665Q	Swivel Prostate Retractor 8mm (3/8").....	44	46118CET	Radiolucent Long Neck Renal 25mm x 152mm (1" x 6").....	37
45666AT	Radiolucent Odontoid 20mm x 90mm (3/4" x 3 1/2")	57	46118DET	Radiolucent Long Neck Renal 51mm x 152mm (2" x 6").....	37
45666EB	Radiolucent Odontoid 20mm x 90mm (3/4" x 3 1/2") [Anodized Aluminum].....	57	46118EET	Radiolucent Long Neck Renal 51mm x 203mm (2" x 8").....	37
45670ATTC	Radiolucent Concave Posterior Lumbar 23mm x 80mm (1" x 3 1/8").....	60	46118ET	Radiolucent Malleable 25mm x 203mm (1" x 8")	30
45671ATTC	Radiolucent Concave Posterior Lumbar 45mm x 80mm (1 3/4" x 3 1/8").....	60	46118P	Malleable 25mm x 102mm (1" x 4")	30
45672ATTC	Radiolucent Concave Posterior Lumbar 60mm x 80mm (2 3/8" x 3 1/8")	60	46118PET	Radiolucent Malleable 25mm x 102mm (1" x 4")	30
45673ATTC	Radiolucent Concave Posterior Lumbar 23mm x 100mm (1" x 4").....	60	46118R	Malleable Renal 25mm x 203mm (1" x 8").....	38
45674ATTC	Radiolucent Concave Posterior Lumbar 45mm x 100mm (1 3/4" x 4").....	60	46118RET	Radiolucent Long Neck Renal 25mm x 203mm (1" x 8").....	37
45675ATTC	Radiolucent Concave Posterior Lumbar 60mm x 100mm (1 3/4" x 4").....	60	46119	Malleable 25mm x 127mm (1" x 5").....	30
45676ATTC	Radiolucent Concave Posterior Lumbar 23mm x 120mm (1" x 4 3/4").....	60	46119A	Malleable 25mm x 152mm (1" x 6")	31
45677ATTC	Radiolucent Concave Posterior Lumbar 45mm x 120mm (1 3/4" x 4 3/4").....	60	46119B	Concave Round Neck Renal 25mm x 140mm (1" x 5 1/2").....	37
45678ATTC	Radiolucent Concave Posterior Lumbar 60mm x 120mm (2 3/8" x 4 3/4").....	60	46119BET	Radiolucent Malleable Concave Renal 25mm x 140mm (1" x 5 1/2").....	37
45679ATTC	Radiolucent Concave Posterior Lumbar 23mm x 150mm (1" x 5 7/8").....	60	46119C	Concave Round Neck Renal 25mm x 191mm (1" x 7 1/2").....	37
45680ATTC	Radiolucent Concave Posterior Lumbar 45mm x 150mm (1 3/4" x 5 7/8").....	60	46119CET	Radiolucent Malleable Concave Renal 25mm x 190mm (1" x 7 1/2").....	37
45681ATTC	Radiolucent Concave Posterior Lumbar 60mm x 150mm (2 3/8" x 5 7/8").....	60	46119RET	Radiolucent Long Neck Renal 25mm x 140mm (1" x 5 1/2").....	37
45682ATTC	Radiolucent Concave Posterior Lumbar 23mm x 180mm (1" x 7").....	60	46120	Malleable 38mm x 102mm (1 1/2" x 4")	31
45683ATTC	Radiolucent Concave Posterior Lumbar 45mm x 180mm (1 3/4" x 7").....	60	46120A	Malleable 38mm x 127mm (1 1/2" x 5")	31
45684ATTC	Radiolucent Concave Posterior Lumbar 60mm x 180mm (2 3/8" x 7").....	60	46120B	Malleable 38mm x 152mm (1 1/2" x 6")	31
45750A	Midline R 70mm x 83mm (2 3/4" x 3 1/4")	57	46120BW	RingTrack Malleable 38mm x 152mm (1 1/2" x 6").....	65
45750AT	Radiolucent Midline R 70mm x 83mm (2 3/4" x 3 1/4")	57	46120RET	Radiolucent Long Neck Renal 25mm x 190mm (1" x 7 1/2").....	37
45750EB	Radiolucent Midline R 70mm x 83mm (2 3/4" x 3 1/4") [Anodized Al]	57	46121RET	Radiolucent Long Neck Renal 25mm x 255mm (1" x 10").....	37
45751A	Midline L 70mm x 83mm (2 3/4" x 3 1/4")	57	46122	Malleable 51mm x 203mm (2" x 8")	30
45751AT	Radiolucent Midline L 70mm x 83mm (2 3/4" x 3 1/4")	57	46122A	Malleable 51mm x 254mm (2" x 10")	30
45751EB	Radiolucent Midline L 70mm x 83mm (2 3/4" x 3 1/4") [Anodized Al].....	57	46122AET	Radiolucent Malleable 51mm x 254mm (2" x 10")	30
45752A	Nerve Root Retractor 90° 5mm x 123mm (1/4" x 4 7/8").....	61	46122ET	Radiolucent Malleable 51mm x 203mm (2" x 8")	31
45753A	Nerve Root Retractor 45° 8mm x 145mm (3/8" x 5 3/4").....	61	46122P	Malleable 51mm x 102mm (2" x 4")	30
45753AM	Prostate Retractor 8mm (3/8").....	44	46122RET	Radiolucent Long Neck Renal 25mm x 305mm (1" x 12").....	37
45754A	Midline R 57mm x 83mm (2 1/4" x 3 1/4").....	57	46122V	Malleable Slotted 51mm x 203mm (2" x 8").....	32
45755A	Midline L 57mm x 83mm (2 1/4" x 3 1/4")	57	46123	Malleable 38mm x 203mm (1 1/2" x 8")	30
45760A	Prong Retractor 75mm (3")	60	46124	Malleable 64mm x 254mm (2 1/2" x 10")	30
45761A	Prong Retractor 100mm (4")	60	46124A	Malleable 76mm x 254mm (3" x 10")	30
45831	Dilator #1 - 7mm	73	46124AET	Radiolucent Malleable 76mm x 254mm (3" x 10")	31
45832	Dilator #2 - 12mm	73	46124AV	Malleable Slotted 76mm x 203mm (3" x 8").....	32
45833	Dilator #3 - 17mm	73	46124B	Malleable 102mm x 254mm (4" x 10")	30
45834	Dilator #4 - 21mm	73	46124BET	Radiolucent Malleable 102mm x 254mm (4" x 10")	31
45924L	Caudal/Cephalad Left 22mm x 40mm (7/8" x 1 1/2").....	74	46124C	Aortic Aneurysm Large 457mm x 229mm (18" x 9").....	40
45924R	Caudal/Cephalad Right 22mm x 40mm (7/8" x 1 1/2")	74	46124D	Aortic Aneurysm Small 305mm x 216mm (12" x 8 1/2").....	40
45925L	Caudal/Cephalad Left 22mm x 50mm (7/8" x 2").....	74	46124ET	Radiolucent Malleable 64mm x 254mm (2 1/2" x 10").....	31
45925R	Caudal/Cephalad Right 22mm x 50mm (7/8" x 2")	74	46125	Richardson 19mm x 25mm (3/4" x 1")	35
45926L	Caudal/Cephalad Left 22mm x 60mm (7/8" x 2 3/8").....	74	46125W	RingTrack Richardson 19mm x 25mm (3/4" x 1").....	65
45926R	Caudal/Cephalad Right 22mm x 60mm (7/8" x 2 3/8").....	74	46125A	Richardson 19mm x 50mm (3/4" x 2").....	35
45927L	Caudal/Cephalad Left 22mm x 70mm (7/8" x 2 3/4").....	74	46125AW	RingTrack Richardson 19mm x 51mm (3/4" x 2").....	65
45927R	Caudal/Cephalad Right 22mm x 70mm (7/8" x 2 3/4").....	74	46126	Richardson 25mm x 32mm (1" x 1 1/4").....	35
45928L	Caudal/Cephalad Left 22mm x 80mm (7/8" x 3 1/8").....	74	46127	Kelly 38mm x 51mm (1 1/2" x 2")	28
45928R	Caudal/Cephalad Right 22mm x 80mm (7/8" x 3 1/8").....	74	46127ET	Radiolucent Kelly 38mm x 51mm (1 1/2" x 2")	28
45929L	Caudal/Cephalad Left 22mm x 90mm (7/8" x 3 1/2").....	74	46128	Kelly 51mm x 64mm (2" x 2 1/2")	28
45929R	Caudal/Cephalad Right 22mm x 90mm (7/8" x 3 1/2")	74	46128BET	Radiolucent Kelly 51mm x 64mm (2" x 2 1/2")	28
45930L	Caudal/Cephalad Left 22mm x 100mm (7/8" x 4").....	74	46128W	RingTrack Kelly 51mm x 64mm (2" x 2 1/2").....	65
45930R	Caudal/Cephalad Right 22mm x 100mm (7/8" x 4")	74	46129	Kelly 64mm x 76mm (2 1/2" x 3")	28
45931L	Caudal/Cephalad Left 22mm x 110mm (7/8" x 4 3/8").....	74	46129ET	Radiolucent Kelly 64mm x 76mm (2 1/2" x 3")	28
45931R	Caudal/Cephalad Right 22mm x 110mm (7/8" x 4 3/8").....	74	46130	Kelly 76mm x 89mm (3" x 3 1/2")	28
45932L	Caudal/Cephalad Left 22mm x 120mm (7/8" x 4 3/4").....	74	46130ET	Radiolucent Kelly 76mm x 89mm (3" x 3 1/2")	28
45932R	Caudal/Cephalad Right 22mm x 120mm (7/8" x 4 3/4")	74	46134	Fence 102mm x 102mm (4" x 4")	29
46103	Saldanha Arched 76mm x 140mm (3" x 5 1/2").....	77	46134ET	Radiolucent Fence 102mm x 102mm (4" x 4")	29
46112W	RingTrack Malleable 51mm x 165mm (2" x 6 1/2").....	65	46135	Fence 102mm x 127mm (4" x 5")	29
46112	Malleable 51mm x 165mm (2" x 6 1/2")	31	46135ET	Radiolucent Fence 102mm x 127mm (4" x 5")	29
46113	Malleable 76mm x 165mm (3" x 6 1/2")	31	46136	Fence 102mm x 152mm (4" x 6")	29
46113W	RingTrack Malleable 76mm x 165mm (3" x 6 1/2").....	65	46136A	Fence 102mm x 203mm (4" x 8")	29
46115	Malleable 13mm x 64mm (1/2" x 2 1/2")	30	46136AET	Radiolucent Fence 102mm x 203mm (4" x 8")	29
46115ET	Radiolucent Malleable 13mm x 64mm (1/2" x 2 1/2")	30	46136ET	Radiolucent Fence 102mm x 152mm (4" x 6")	29
46116	Malleable 13mm x 152mm (1/2" x 6")	30	46137	Holtgrewe 60mm x 152mm (2 3/8" x 6")	43
46116ET	Radiolucent Malleable 13mm x 152mm (1/2" x 6")	30	46139	"Y" Bladder 81mm x 216mm (3 1/8" x 8 1/2").....	43
46117	Malleable 13mm x 203mm (1/2" x 8")	30	46140	Balfour [with lips] 70mm x 73mm (2 3/4" x 3").....	25
46117ET	Radiolucent Malleable 13mm x 203mm (1/2" x 8")	30	46140C	Balfour [small lips] 70mm x 73mm (2 3/4" x 3").....	25
46118	Malleable 25mm x 203mm (1" x 8")	30	46140CEB	Radiolucent Balfour [small lips] 65mm x 72mm (2 1/2" x 2 3/4") [Anodized].....	25

PART #	DESCRIPTION	PAGE	PART #	DESCRIPTION	PAGE
46140CET	Radiolucent Balfour [small lips] 65mm x 72mm (2 ½" x 2 ¾").....	25	46171C	Non-Slip Balfour L 77mm x 94mm (3" x 3 ¾")	26
46140EB	Radiolucent Balfour [with lips] 65mm x 72mm (2 ½" x 2 ¾") [Anodized].....	25	46171CEB	Radiolucent Non-Slip Balfour L 77mm x 94mm (3" x 3 ¾")	26
46140ET	Radiolucent Balfour [with lips] 65mm x 72mm (2 ½" x 2 ¾").....	25	46172	Deaver 38mm x 127mm (1 ½" x 5").....	36
46140P	Balfour [with lips] 76mm x 51mm (3" x 2").....	25	46172ET	Radiolucent Deaver 38mm x 127mm (1 ½" x 5").....	36
46141	Balfour [with lips] 83mm x 73mm (3 ¼" x 3").....	25	46174	Deaver 51mm x 127mm (2" x 5").....	36
46141C	Balfour [small lips] 83mm x 73mm (3 ¼" x 3").....	25	46174ET	Radiolucent Deaver 51mm x 127mm (2" x 5").....	36
46141CEB	Radiolucent Balfour [small lips] 83mm x 70mm (3 ¼" x 2 ¾") [Anodized].....	25	46175	Deaver 64mm x 127mm (2 ½" x 5").....	36
46141CW	RingTrack Balfour [small lips] 83mm x 73mm (3 ¼" x 3").....	65	46175ET	Radiolucent Deaver 64mm x 127mm (2 ½" x 5").....	36
46141CET	Radiolucent Balfour [small lips] 83mm x 70mm (3 ¼" x 2 ¾").....	25	46176	Deaver 76mm x 127mm (3" x 5").....	36
46141D	Balfour [with lips] 83mm x 123mm (3 ¼" x 5").....	25	46176ET	Radiolucent Deaver 76mm x 127mm (3" x 5").....	36
46141DEB	Radiolucent Balfour [with lips] 83mm x 127mm (3 ¼" x 5") [Anodized].....	25	46178	Deaver 102mm x 127mm (4" x 5").....	36
46141EB	Radiolucent Balfour [with lips] 83mm x 70mm (3 ¼" x 2 ¾") [Anodized].....	25	46178ET	Radiolucent Deaver 100mm x 127mm (4" x 5").....	36
46141ET	Radiolucent Balfour [with lips] 83mm x 70mm (3 ¼" x 2 ¾").....	25	46180	Heany 25mm x 102mm (1" x 4").....	42
46141F	Balfour [with lips] 83mm x 175mm (3 ¼" x 6 ¾").....	25	46182	Heany 25mm x 127mm (1" x 5").....	42
46142	Balfour [with lips] 32mm x 32mm (1 ¼" x 1 ¼").....	25	46183	Allison Lung Retractor 229mm (9").....	40
46142EB	Radiolucent Balfour [with lips] 32mm x 32mm (1 ¼" x 1 ¼") [Anodized].....	25	46185	Hill-Ferguson 32mm x 76mm (1 ¼" x 3").....	45
46142P	Balfour [with lips] 51mm x 54mm (2" x 2").....	25	46186	Hill-Ferguson 25mm x 64mm (1" x 2 ½").....	45
46142PEB	Radiolucent Balfour [with lips] 51mm x 51mm (2" x 2") [Anodized].....	25	46187	Rectal 13mm x 117mm (½" x 4 ½").....	45
46143	Fenestrated 44mm x 89mm (1 ¾" x 3½").....	38	46187A	St Marks [no lip] 64mm x 178mm (2 ½" x 7").....	35
46144	Fenestrated 48mm x 127mm (1 ¾" x 5").....	38	46188	St Marks [with lip] 64mm x 178mm (2 ½" x 7")	35
46145	Splanchnich 51mm x 114mm (2" x 4 ½").....	29	46188ET	Radiolucent St Marks [with lip] 64mm x 178mm (2 ½" x 7").....	35
46145ET	Radiolucent Splanchnich 51mm x 115mm (2" x 4 ½").....	29	46189	St Marks [with lip] 64mm x 140mm (2 ½" x 5 ½").....	35
46146	Splanchnich 51mm x 152mm (2" x 6").....	29	46189ET	Radiolucent St Marks [with lip] 64mm x 140mm (2 ½" x 5 ½").....	35
46146ET	Radiolucent Splanchnich 51mm x 152mm (2" x 6").....	29	46190	Double Bladed 76mm x 114mm (3" x 4 ½").....	42
46147ET	Radiolucent Splanchnich 51mm x 203mm (2" x 8").....	29	46191	Malleable Finger 152mm (6").....	31
46148ET	Radiolucent Splanchnich 25mm x 152mm (1" x 6").....	29	46191ET	Radiolucent Malleable Finger 152mm (6").....	31
46149	Richardson 44mm x 51mm (1 ¾" x 2").....	34	46191L	Malleable Finger 203mm (8").....	31
46149ET	Radiolucent Richardson 44mm x 51mm (1 ¾" x 2").....	34	46191P	Malleable Finger 102mm (4").....	31
46149W	RingTrack Richardson 44mm x 51mm (1 ¾" x 2").....	65	46191SP	Malleable Finger 76mm (3").....	31
46150	Richardson 51mm x 102mm (2" x 4").....	34	46192	Bladder Blade 35mm x 89mm (1 ¾" x 3 ½").....	43
46150W	RingTrack Richardson 51mm x 102mm (2" x 4").....	65	46192ET	Brau Reverse Lip Malleable 25mm x 200mm (1" x 7 ¾").....	47
46151	Richardson 51mm x 127mm (2" x 5").....	34	46193ET	Brau Reverse Lip Malleable 32mm x 200mm (1 ¼" x 7 ¾").....	47
46151W	RingTrack Richardson 51mm x 127mm (2" x 5").....	65	46194ET	Brau Reverse Lip (Long Neck) 25mm x 100mm (1" x 4").....	48
46152	Richardson 51mm x 152mm (2" x 6").....	34	46194RET	Brau Reverse Lip (Long Neck) 25mm x 100mm (1" x 4").....	48
46152W	RingTrack Richardson 51mm x 152mm (2" x 6").....	65	46195ET	Brau Reverse Lip (Long Neck) 25mm x 150mm (1" x 5 ¾").....	48
46153	Richardson 51mm x 178mm (2" x 7").....	34	46195RET	Brau Reverse Lip (Long Neck) 25mm x 150mm (1" x 5 ¾").....	48
46153ET	Radiolucent Richardson 51mm x 178mm (2" x 7").....	34	46195TET	Brau Reverse Lip Tapered (Long Neck) 25mm x 150mm (1" x 5 ¾").....	48
46154	Richardson 51mm x 76mm (2" x 3").....	34	46196CET	Brau Reverse Lip Concave (Long Neck) 25mm x 200mm (1" x 7 ¾").....	48
46154W	RingTrack Richardson 51mm x 76mm (2" x 3").....	65	46196ET	Brau Reverse Lip (Long Neck) 25mm x 200mm (1" x 7 ¾").....	48
46155	Mini-Open Richardson 51mm x 76mm (2" x 3").....	33	46196RET	Brau Reverse Lip (Long Neck) 25mm x 200mm (1" x 7 ¾").....	48
46156	Mini-Open Richardson 51mm x 102mm (2" x 4").....	33	46196TET	Brau Reverse Lip Tapered (Long Neck) 25mm x 200mm (1" x 7 ¾").....	48
46157	Mini-Open Richardson 51mm x 127mm (2" x 5").....	33	46197ET	Brau Reverse Lip (Long Neck) 32mm x 100mm (1 ¼" x 4").....	48
46158	Mini-Open Richardson 51mm x 152mm (2" x 6").....	33	46197RET	Brau Reverse Lip (Long Neck) 32mm x 100mm (1 ¼" x 4").....	48
46159ET	Radiolucent Splanchnich 25mm x 203mm (1" x 8").....	29	46198ET	Brau Reverse Lip (Long Neck) 32mm x 150mm (1 ¼" x 5 ¾").....	48
46160	Harrington 64mm x 152mm (2 ½" x 6").....	27	46198RET	Brau Reverse Lip (Long Neck) 32mm x 150mm (1 ¼" x 5 ¾").....	48
46160E	Radiolucent Harrington 64mm x 152mm (2 ½" x 6").....	27	46199CET	Brau Reverse Lip Concave (Long Neck) 32mm x 200mm (1 ¼" x 7 ¾").....	48
46160ET	Radiolucent Harrington 64mm x 152mm (2 ½" x 6").....	27	46199ET	Brau Reverse Lip (Long Neck) 32mm x 200mm (1 ¼" x 7 ¾").....	48
46160W	RingTrack Harrington 64mm x 152mm (2 ½" x 6").....	65	46199RET	Brau Reverse Lip (Long Neck) 32mm x 200mm (1 ¼" x 7 ¾").....	48
46161	Harrington 114mm x 254mm (4 ½" x 10").....	27	46200CET	Brau Reverse Lip Concave (Long Neck) 25mm x 255mm (1" x 10").....	48
46161M	Harrington 114mm x 203mm (4 ½" x 8").....	27	46200RET	Brau Reverse Lip (Long Neck) 25mm x 255mm (1" x 10").....	48
46162P	Harrington 38mm x 127mm (1 ½" x 5").....	27	46201CET	Brau Reverse Lip Concave (Long Neck) 32mm x 255mm (1 ¼" x 10").....	48
46163	Harrington 64mm x 203mm (2 ½" x 8").....	27	46201ET	Brau Reverse Lip (Long Neck) 32mm x 255mm (1 ¼" x 10").....	48
46164	Harrington 64mm x 254mm (2 ½" x 10").....	27	46201RET	Brau Reverse Lip (Long Neck) 32mm x 255mm (1 ¼" x 10").....	48
46165	Harrington 64mm x 102mm (2 ½" x 4").....	27	46202	Malleable Slotted 51mm x 165mm (2" x 6 ½").....	32
46166	Harrington 38mm x 203mm (1 ½" x 8").....	27	46203	Malleable Slotted 76mm x 165mm (3" x 6 ½").....	32
46168B	Non-Slip Balfour L 77mm x 66mm (3" x 2 ½").....	26	46210	Volkman Sharp 6 Prong 25mm x 13mm (1" x ½").....	39
46168C	Non-Slip Balfour L 77mm x 94mm (3" x 3 ¾").....	26	46211	Volkman Blunt 6 Prong 25mm x 13mm (1" x ½").....	39
46169B	Non-Slip Balfour R 77mm x 66mm (3" x 2 ½").....	26	46212	Volkman Sharp 4 Prong 16mm x 13mm (5/8" x ½").....	39
46169C	Non-Slip Balfour R 77mm x 94mm (3" x 3 ¾").....	26	46213	Volkman Blunt 4 Prong 16mm x 13mm (5/8" x ½").....	39
46170	Deaver 25mm x 127mm (1" x 5").....	36	46214	Murphy Sharp 4 Prong 25mm x 13mm (1" x ½").....	39
46170B	Non-Slip Balfour R 77mm x 66mm (3" x 2 ½").....	26	46215	Murphy Blunt 4 Prong 25mm x 13mm (1" x ½").....	39
46170BEB	Radiolucent Non-Slip Balfour R 77mm x 66mm (3" x 2 ½").....	26	46216	Murphy Sharp 3 Prong 19mm x 13mm (¾" x ½").....	39
46170C	Non-Slip Balfour R 77mm x 94mm (3" x 3 ¾").....	26	46217	Murphy Blunt 3 Prong 19mm x 13mm (¾" x ½").....	39
46170CEB	Radiolucent Non-Slip Balfour R 77mm x 94mm (3" x 3 ¾").....	26	46220	Mini-Open Malleable 25mm x 75mm (1" x 3").....	32
46170ET	Radiolucent Deaver 25mm x 127mm (1" x 5").....	36	46221	Mini-Open Malleable 25mm x 100mm (1" x 4").....	32
46170W	RingTrack Deaver 25mm x 127mm (1" x 5").....	65	46222	Mini-Open Malleable 25mm x 125mm (1" x 5").....	32
46171B	Non-Slip Balfour L 77mm x 66mm (3" x 2 ½").....	26	46223	Prostate Malleable 280mm x 40mm (11" x 1 ½").....	44
46171BEB	Radiolucent Non-Slip Balfour L 77mm x 66mm (3" x 2 ½").....	26			

PRODUCT INDEX

PART #	DESCRIPTION	PAGE	PART #	DESCRIPTION	PAGE
46224	Mini-Open Double Angled 51mm x 127mm (2" x 5").....	33	46322AT	Radiolucent Concave Lateral 23mm x 60mm (1" x 2 3/8").....	52
46225	Mini-Open Double Angled 51mm x 152mm (2" x 6").....	33	46322ATT	Radiolucent Concave Lateral with Teeth 23mm x 60mm (1" x 2 3/8").....	53
46226	Mini-Open Double Angled 51mm x 165mm (2" x 6 1/2").....	33	46322EB	Radiolucent Concave Lateral 23mm x 60mm (1" x 2 3/8") [Anodized Al].....	52
46227	Mini-Open Deep Double Angled 51mm x 127mm (2" x 5").....	33	46322EBT	Radiolucent Concave Lateral with Teeth 23mm x 60mm (1" x 2 3/8") [AA].....	53
46241A	Wide Balfour [no lips] 83mm x 57mm (3 1/4" x 2 1/4").....	26	46324AT	Radiolucent Concave Lateral 23mm x 65mm (1" x 2 1/2").....	52
46241AEB	Radiolucent Wide Balfour [no lips] 83mm x 57mm (3 1/4" x 2 1/4") [Anodized].....	26	46324ATT	Radiolucent Concave Lateral with Teeth 23mm x 65mm (1" x 2 1/2").....	53
46241B	Wide Balfour [no lips] 100mm x 61mm (4" x 2 3/8").....	26	46324EB	Radiolucent Concave Lateral 23mm x 65mm (1" x 2 1/2") [Anodized Al].....	52
46241BEB	Radiolucent Wide Balfour [no lips] 102mm x 57mm (4" x 2 3/8") [Anodized].....	26	46324EBT	Radiolucent Concave Lateral with Teeth 23mm x 65mm (1" x 2 1/2") [AA].....	53
46241C	Wide Balfour [no lips] 114mm x 63mm (4 1/2" x 2 1/2").....	26	46326AT	Radiolucent Concave Lateral 23mm x 70mm (1" x 2 3/4").....	52
46241CEB	Radiolucent Wide Balfour [no lips] 114mm x 57mm (4 1/2" x 2 1/2") [Anodized].....	26	46326ATT	Radiolucent Concave Lateral with Teeth 23mm x 70mm (1" x 2 3/4").....	53
46260RET	Brau Reverse Lip 25mm x 100mm (1" x 4").....	46	46326EB	Radiolucent Concave Lateral 23mm x 70mm (1" x 2 3/4") [Anodized Al].....	52
46260TET	Brau Reverse Lip Tapered 25mm x 100mm (1" x 4").....	47	46326EBT	Radiolucent Concave Lateral with Teeth 23mm x 70mm (1" x 2 3/4") [AA].....	53
46261RET	Brau Reverse Lip 25mm x 110mm (1" x 4 3/8").....	46	46328AT	Radiolucent Concave Lateral 23mm x 75mm (1" x 3").....	52
46262RET	Brau Reverse Lip 25mm x 120mm (1" x 4 3/4").....	46	46328ATT	Radiolucent Concave Lateral with Teeth 23mm x 75mm (1" x 3").....	53
46263RET	Brau Reverse Lip 25mm x 130mm (1" x 5 1/8").....	46	46328EB	Radiolucent Concave Lateral 23mm x 75mm (1" x 3") [Anodized Al].....	52
46264RET	Brau Reverse Lip 25mm x 140mm (1" x 5 1/2").....	46	46328EBT	Radiolucent Concave Lateral with Teeth 23mm x 75mm (1" x 3") [AA].....	53
46265RET	Brau Reverse Lip 25mm x 150mm (1" x 5 7/8").....	46	46330AT	Radiolucent Concave Lateral 23mm x 80mm (1" x 3 1/8").....	52
46265TET	Brau Reverse Lip Tapered 25mm x 150mm (1" x 5 7/8").....	47	46330ATT	Radiolucent Concave Lateral with Teeth 23mm x 80mm (1" x 3 1/8").....	53
46266RET	Brau Reverse Lip 25mm x 160mm (1" x 6 1/4").....	46	46330EB	Radiolucent Concave Lateral 23mm x 80mm (1" x 3 1/8") [Anodized Al].....	52
46267RET	Brau Reverse Lip 25mm x 170mm (1" x 6 5/8").....	46	46330EBT	Radiolucent Concave Lateral with Teeth 23mm x 80mm (1" x 3 1/8") [AA].....	53
46268RET	Brau Reverse Lip 25mm x 180mm (1" x 7").....	46	46332AT	Radiolucent Concave Lateral 23mm x 85mm (1" x 3 3/8").....	52
46269RET	Brau Reverse Lip 25mm x 190mm (1" x 7 1/2").....	46	46332ATT	Radiolucent Concave Lateral with Teeth 23mm x 85mm (1" x 3 3/8").....	53
46270RET	Brau Reverse Lip 25mm x 200mm (1" x 7 7/8").....	46	46334AT	Radiolucent Concave Lateral 23mm x 90mm (1" x 3 1/2").....	52
46270TET	Brau Reverse Lip Tapered 25mm x 200mm (1" x 7 7/8").....	47	46334ATT	Radiolucent Concave Lateral with Teeth 23mm x 90mm (1" x 3 1/2").....	53
46271RET	Brau Reverse Lip 25mm x 210mm (1" x 8 1/4").....	46	46336AT	Radiolucent Concave Lateral 23mm x 95mm (1" x 3 3/4").....	52
46272RET	Brau Reverse Lip 25mm x 220mm (1" x 8 5/8").....	46	46336ATT	Radiolucent Concave Lateral with Teeth 23mm x 95mm (1" x 3 3/4").....	53
46273RET	Brau Reverse Lip 25mm x 230mm (1" x 9").....	46	46338AT	Radiolucent Concave Lateral 23mm x 100mm (1" x 4").....	52
46274RET	Brau Reverse Lip 25mm x 240mm (1" x 9 1/2").....	46	46338ATT	Radiolucent Concave Lateral with Teeth 23mm x 100mm (1" x 4").....	53
46275RET	Brau Reverse Lip 25mm x 250mm (1" x 9 7/8").....	46	46340AT	Radiolucent Concave Lateral 23mm x 105mm (1" x 4 1/8").....	52
46275TET	Brau Reverse Lip Tapered 25mm x 250mm (1" x 9 7/8").....	47	46340ATT	Radiolucent Concave Lateral with Teeth 23mm x 105mm (1" x 4 1/8").....	53
46280RET	Brau Reverse Lip 32mm x 100mm (1 1/4" x 4").....	46	46342AT	Radiolucent Concave Lateral 23mm x 110mm (1" x 4 3/8").....	52
46281RET	Brau Reverse Lip 32mm x 110mm (1 3/8" x 4 3/8").....	46	46342ATT	Radiolucent Concave Lateral with Teeth 23mm x 110mm (1" x 4 3/8").....	53
46282RET	Brau Reverse Lip 32mm x 120mm (1 3/8" x 4 3/4").....	46	46344AT	Radiolucent Concave Lateral 23mm x 115mm (1" x 4 1/2").....	52
46283RET	Brau Reverse Lip 32mm x 130mm (1 3/8" x 5 1/8").....	46	46344ATT	Radiolucent Concave Lateral with Teeth 23mm x 115mm (1" x 4 1/2").....	53
46284RET	Brau Reverse Lip 32mm x 140mm (1 3/8" x 5 1/2").....	46	46346AT	Radiolucent Concave Lateral 23mm x 120mm (1" x 4 3/4").....	52
46285RET	Brau Reverse Lip 32mm x 150mm (1 3/8" x 5 7/8").....	46	46346ATT	Radiolucent Concave Lateral with Teeth 23mm x 120mm (1" x 4 3/4").....	53
46286RET	Brau Reverse Lip 32mm x 160mm (1 3/8" x 6 1/4").....	46	46400	Tummy Tuck 76mm x 140mm (3" x 5 1/2").....	77
46287RET	Brau Reverse Lip 32mm x 170mm (1 3/8" x 6 5/8").....	46	46401	Tummy Tuck 102mm x 140mm (4" x 5 1/2").....	77
46288RET	Brau Reverse Lip 32mm x 180mm (1 3/8" x 7").....	46	46402	Cat's Paw 6mm x 38mm (1/4" x 1 1/2").....	77
46289RET	Brau Reverse Lip 32mm x 190mm (1 3/8" x 7 1/2").....	47	46420ET	Radiolucent Richardson 50mm x 40mm (2" x 1 1/2").....	34
46290RET	Brau Reverse Lip 32mm x 200mm (1 3/8" x 7 7/8").....	47	46422ET	Radiolucent Richardson 50mm x 60mm (2" x 2 3/8").....	34
46291RET	Brau Reverse Lip 32mm x 210mm (1 1/4" x 8 1/4").....	47	46424ET	Radiolucent Richardson 50mm x 80mm (2" x 3 1/8").....	34
46292RET	Brau Reverse Lip 32mm x 220mm (1 1/4" x 8 5/8").....	47	46426ET	Radiolucent Richardson 50mm x 100mm (2" x 4").....	34
46293RET	Brau Reverse Lip 32mm x 230mm (1 1/4" x 9").....	47	46428ET	Radiolucent Richardson 50mm x 120mm (2" x 4 3/4").....	34
46294RET	Brau Reverse Lip 32mm x 240mm (1 1/4" x 9 1/2").....	47	46430ET	Radiolucent Richardson 50mm x 140mm (2" x 5 1/2").....	34
46295RET	Brau Reverse Lip 32mm x 250mm (1 1/4" x 9 7/8").....	47	46432ET	Radiolucent Richardson 50mm x 160mm (2" x 6 1/4").....	34
46310EB	Radiolucent Concave Lateral 23mm x 30mm (1" x 1 1/8") [Anodized Al].....	52	46434ET	Radiolucent Richardson 50mm x 180mm (2" x 7").....	34
46310EBT	Radiolucent Concave Lateral with Teeth 23mm x 30mm (1" x 1 1/8") [AA].....	52	46436ET	Radiolucent Richardson 50mm x 200mm (2" x 7 7/8").....	34
46312AT	Radiolucent Concave Lateral 23mm x 35mm (1" x 1 3/8").....	52	46437ET	Radiolucent Richardson 50mm x 210mm (2" x 8 1/4").....	34
46312ATT	Radiolucent Concave Lateral with Teeth 23mm x 35mm (1" x 1 3/8").....	53	46438ET	Radiolucent Richardson 50mm x 220mm (2" x 8 5/8").....	34
46312EB	Radiolucent Concave Lateral 23mm x 35mm (1" x 1 3/8") [Anodized Al].....	52	46439ET	Radiolucent Richardson 50mm x 230mm (2" x 9").....	34
46312EBT	Radiolucent Concave Lateral with Teeth 23mm x 35mm (1" x 1 3/8") [AA].....	53	46440ET	Radiolucent Richardson 50mm x 240mm (2" x 9 1/2").....	34
46314AT	Radiolucent Concave Lateral 23mm x 40mm (1" x 1 1/2").....	52	46441ET	Radiolucent Richardson 50mm x 250mm (2" x 9 7/8").....	34
46314ATT	Radiolucent Concave Lateral with Teeth 23mm x 40mm (1" x 1 1/2").....	53	46508EB	Radiolucent Concave Micro 14mm x 30mm (1/2" x 1 1/8") [Anodized Al].....	56
46314EB	Radiolucent Concave Lateral 23mm x 40mm (1" x 1 1/2") [Anodized Al].....	52	46508EBT	Radiolucent Concave Micro with Teeth 14mm x 30mm (1/2" x 1 1/8") [AA].....	56
46314EBT	Radiolucent Concave Lateral with Teeth 23mm x 40mm (1" x 1 1/2") [AA].....	53	46510AT	Radiolucent Concave Micro 14mm x 35mm (1/2" x 1 3/8").....	56
46316AT	Radiolucent Concave Lateral 23mm x 45mm (1" x 1 3/4").....	52	46510ATT	Radiolucent Concave Micro with Teeth 14mm x 35mm (1/2" x 1 3/8").....	56
46316ATT	Radiolucent Concave Lateral with Teeth 23mm x 45mm (1" x 1 3/4").....	53	46510EB	Radiolucent Concave Micro 14mm x 35mm (1/2" x 1 3/8") [Anodized Al].....	56
46316EB	Radiolucent Concave Lateral 23mm x 45mm (1" x 1 3/4") [Anodized Al].....	52	46510EBT	Radiolucent Concave Micro with Teeth 14mm x 35mm (1/2" x 1 3/8") [AA].....	56
46316EBT	Radiolucent Concave Lateral with Teeth 23mm x 45mm (1" x 1 3/4") [AA].....	53	46512AT	Radiolucent Concave Micro 14mm x 40mm (1/2" x 1 1/2").....	56
46318AT	Radiolucent Concave Lateral 23mm x 50mm (1" x 2").....	52	46512ATT	Radiolucent Concave Micro with Teeth 14mm x 40mm (1/2" x 1 1/2").....	56
46318ATT	Radiolucent Concave Lateral with Teeth 23mm x 50mm (1" x 2").....	53	46512EB	Radiolucent Concave Micro 14mm x 40mm (1/2" x 1 1/2") [Anodized Al].....	56
46318EB	Radiolucent Concave Lateral 23mm x 50mm (1" x 2") [Anodized Al].....	52	46512EBT	Radiolucent Concave Micro with Teeth 14mm x 40mm (1/2" x 1 1/2") [AA].....	56
46318EBT	Radiolucent Concave Lateral with Teeth 23mm x 50mm (1" x 2") [AA].....	53	46514AT	Radiolucent Concave Micro 14mm x 45mm (1/2" x 1 3/4").....	56
46320AT	Radiolucent Concave Lateral 23mm x 55mm (1" x 2 1/8").....	52	46514ATT	Radiolucent Concave Micro with Teeth 14mm x 45mm (1/2" x 1 3/4").....	56
46320ATT	Radiolucent Concave Lateral with Teeth 23mm x 55mm (1" x 2 1/8").....	53	46514EB	Radiolucent Concave Micro 14mm x 45mm (1/2" x 1 3/4") [Anodized Al].....	56
46320EB	Radiolucent Concave Lateral 23mm x 55mm (1" x 2 1/8") [Anodized Al].....	52	46514EBT	Radiolucent Concave Micro with Teeth 14mm x 45mm (1/2" x 1 3/4") [AA].....	56
46320EBT	Radiolucent Concave Lateral with Teeth 23mm x 55mm (1" x 2 1/8") [AA].....	53	46516AT	Radiolucent Concave Micro 14mm x 50mm (1/2" x 2").....	56

PART #	DESCRIPTION	PAGE	PART #	DESCRIPTION	PAGE
46516ATT	Radiolucent Concave Micro with Teeth 14mm x 50mm (1/2" x 2").....	56	47213	MIS Spine Frame L-Bar Add on.....	72
46516EB	Radiolucent Concave Micro 14mm x 50mm (1/2" x 2") [Anodized Al].....	56	47300N	CV Clamp Mini L-Bar Recess 2".....	68
46516EBT	Radiolucent Concave Micro with Teeth 14mm x 50mm (1/2" x 2") [AA].....	56	47300NF	CV Clamp Mini L-Bar Recess Offset 2".....	68
46518AT	Radiolucent Concave Micro 14mm x 55mm (1/2" x 2 1/8").....	56	47300NR	CV Clamp Mini L-Bar Recess Reversed 2".....	68
46518ATT	Radiolucent Concave Micro with Teeth 14mm x 55mm (1/2" x 2 1/8").....	56	47301N	CV Clamp T-Bar Recess 8".....	68
46518EB	Radiolucent Concave Micro 14mm x 55mm (1/2" x 2 1/8") [Anodized Al].....	56	47301NF	CV Clamp T-Bar Recess Offset 8".....	68
46518EBT	Radiolucent Concave Micro with Teeth 14mm x 55mm (1/2" x 2 1/8") [AA].....	56	47302N	CV Clamp L-Bar Recess 6" x 8".....	68
46519	Depth Gauge Anterior Cervical 157.5mm (6 1/4") - Color Coded.....	21	47302NR	CV Clamp L-Bar Recess Reversed 6" x 8".....	68
46520AT	Radiolucent Concave Micro 14mm x 60mm (1/2" x 2 3/8").....	56	47400	RingTrack Articulating Horizontal Bar 18 1/2".....	64
46520ATT	Radiolucent Concave Micro with Teeth 14mm x 60mm (1/2" x 2 3/8").....	56	47402	RingTrack Extension Bar 12".....	64
46520EB	Radiolucent Concave Micro 14mm x 60mm (1/2" x 2 3/8") [Anodized Al].....	56	47403	RingTrack Cam III Joint 1" x 1".....	64
46520EBT	Radiolucent Concave Micro with Teeth 14mm x 60mm (1/2" x 2 3/8") [AA].....	56	47404	RingTrack Round Ring Small 8 1/2".....	64
46521	Depth Gauge Anterior Cervical 157.5mm (6 1/4").....	21	47406	RingTrack Round Ring Medium 10 1/2".....	64
46522EB	Radiolucent Concave Micro 14mm x 65mm (1/2" x 2 1/2") [Anodized Al].....	56	47408	RingTrack Round Ring Large 12 1/2".....	64
46522EBT	Radiolucent Concave Micro with Teeth 14mm x 65mm (1/2" x 2 1/2") [AA].....	56	47410	RingTrack Oval Ring Small 8" x 12 1/4".....	64
46523AT	Radiolucent Concave Micro 14mm x 65mm (1/2" x 2 1/2").....	56	47412	RingTrack Oval Ring Medium 10 1/2" x 14 1/2".....	64
46523ATT	Radiolucent Concave Micro with Teeth 14mm x 65mm (1/2" x 2 1/2").....	56	47414	RingTrack Oval Ring Large 12" x 18 1/2".....	64
46524AT	Radiolucent Concave Micro 14mm x 70mm (1/2" x 2 3/4").....	56	47416	RingTrack Round Ring Small Half 8 1/2".....	65
46524ATT	Radiolucent Concave Micro with Teeth 14mm x 70mm (1/2" x 2 3/4").....	56	47418	RingTrack Round Ring Medium Half 10 1/2".....	65
46524EB	Radiolucent Concave Micro 14mm x 70mm (1/2" x 2 3/4") [Anodized Al].....	56	47420	RingTrack Round Ring Large Half 12 1/2".....	65
46524EBT	Radiolucent Concave Micro with Teeth 14mm x 70mm (1/2" x 2 3/4") [AA].....	56	47430	RingTrack Straight Segment 4 1/2".....	65
46526AT	Radiolucent Concave Micro 14mm x 75mm (1/2" x 3").....	56	47432	RingTrack Straight Segment 6".....	65
46526ATT	Radiolucent Concave Micro with Teeth 14mm x 75mm (1/2" x 3").....	56	47434	RingTrack Straight Segment 8".....	65
46526EB	Radiolucent Concave Micro 14mm x 75mm (1/2" x 3") [Anodized Al].....	56	47437	RingTrack Horizontal Bar 14 1/4".....	64
46526EBT	Radiolucent Concave Micro with Teeth 14mm x 75mm (1/2" x 3") [AA].....	56	47440	RingTrack Ratchet.....	65
46528AT	Radiolucent Concave Micro 14mm x 80mm (1/2" x 3 1/8").....	56	47441	RingTrack Ratchet with Clip.....	65
46528ATT	Radiolucent Concave Micro with Teeth 14mm x 80mm (1/2" x 3 1/8").....	56	47442	RingTrack Angling Ratchet.....	65
46528EB	Radiolucent Concave Micro 14mm x 80mm (1/2" x 3 1/8") [Anodized Al].....	56	47443	RingTrack Angling Ratchet with Clip.....	65
46528EBT	Radiolucent Concave Micro with Teeth 14mm x 80mm (1/2" x 3 1/8") [AA].....	56	47500	Thompson OneFrame.....	64
46558	Radiolucent Concave Short Neck Renal 25mm x 80mm (1" x 3 1/8").....	49	47902AC	RingTrack Elite III Rail Clamp 18" with 1 Cam Joint.....	64
46559	Radiolucent Concave Short Neck Renal 25mm x 90mm (1" x 3 1/2").....	49	47902ACL	RingTrack Elite III Rail Clamp 16" with 1 Cam Joint.....	64
46560	Radiolucent Concave Short Neck Renal 25mm x 100mm (1" x 4").....	49	47902ACS	RingTrack Elite III Rail Clamp 11" with 1 Cam Joint.....	64
46561	Radiolucent Concave Short Neck Renal 25mm x 110mm (1" x 4 3/8").....	49	47904AC	RingTrack Elite III Rail Clamp 22" with 1 Cam Joint.....	64
46562	Radiolucent Concave Short Neck Renal 25mm x 120mm (1" x 4 3/4").....	49	47906AC	RingTrack Elite III Rail Clamp 26" with 1 Cam Joint.....	64
46563	Radiolucent Concave Short Neck Renal 25mm x 130mm (1" x 5 1/8").....	49	48001	Towel Clip Hook 45mm x 64mm (1 3/4" x 2 1/2").....	77
46564	Radiolucent Concave Short Neck Renal 25mm x 140mm (1" x 5 1/2").....	49	50000A3	Instrument Case - Accessory 3 Compartments (23" x 10 3/4" x 2 1/2").....	22
46565	Radiolucent Concave Short Neck Renal 25mm x 150mm (1" x 5 7/8").....	49	50000ACT	Instrument Case - Anterior Cervical (22" x 11" x 3 1/2").....	22
46566	Radiolucent Concave Short Neck Renal 25mm x 160mm (1" x 6 1/4").....	49	50000ALR	Instrument Case - AL Renal Vein Blades (23" x 10 3/4" x 2 1/2").....	22
46567	Radiolucent Concave Short Neck Renal 25mm x 170mm (1" x 6 5/8").....	49	50000ALT	Instrument Case - Anterior Lumbar (22" x 11" x 3 1/2").....	22
46568	Radiolucent Concave Short Neck Renal 25mm x 180mm (1" x 7").....	49	50000BL	Instrument Case (26" x 10" x 5").....	22
46569	Radiolucent Concave Short Neck Renal 25mm x 190mm (1" x 7 1/2").....	49	50000BOL	Instrument Case - Bolling Mitral Valve (23" x 10 3/4" x 2 1/2").....	22
46570	Radiolucent Concave Short Neck Renal 25mm x 200mm (1" x 7 7/8").....	49	50000CCAB	Instrument Case - CCA Blades.....	76
46571	Radiolucent Concave Short Neck Renal 25mm x 210mm (1" x 8 1/4").....	49	50000CCAF	Instrument Case - CCA Frame.....	76
46572	Radiolucent Concave Short Neck Renal 25mm x 220mm (1" x 8 5/8").....	49	50000DHD	Instrument Case - Drake Hook (12" x 4 1/2" x 2 1/4").....	22
46573	Radiolucent Concave Short Neck Renal 25mm x 230mm (1" x 9").....	49	50000E	Instrument Case - 32" x 8" x 3".....	22
46574	Radiolucent Concave Short Neck Renal 25mm x 240mm (1" x 9 1/2").....	49	50000EAC	Instrument Case - Expanded Cervical (23" x 10 3/4" x 2").....	22
46575	Radiolucent Concave Short Neck Renal 25mm x 250mm (1" x 9 7/8").....	49	50000ERL	Instrument Case - Expanded Reverse Lip (23 1/2" x 11" x 5 1/4").....	22
46660	Double Angled 25mm x 76mm (1" x 3").....	41	50000FV	Instrument Tray Insert - Fine Vessel Blades.....	23
46661	Double Angled 25mm x 64mm (1" x 2 1/2").....	41	50000G	Instrument Case (23" x 11" x 3 1/2").....	22
46662	Double Angled 13mm x 76mm (1/2" x 3").....	41	50000L	Instrument Tray Lid.....	23
46663	Double Angled 13mm x 70mm (1/2" x 2 3/4").....	41	50000LW	Instrument Case (6 1/4" x 14" x 2 1/2").....	20
46664	Double Angled Bulb 25mm x 64mm (1" x 2 1/2").....	41	50000MSF	Instrument Case - MIS Spine Frame (23 1/4" x 11" x 4 1/2").....	73
47115W	RingTrack Gelpi 1/2".....	65	50000PLA	Instrument Case - PLA (23 1/2" x 11" x 4").....	73
47200	CV - Clamp Assembly 2" L-Bar.....	68	50000RB	Instrument Tray Insert - Richardson Blades.....	23
47200N	CV Clamp Mini L-Bar 2".....	68	50000RLT	Instrument Case - Reverse Lip (22" x 11" x 3 1/2").....	22
47200NF	CV Clamp Mini L-Bar Offset 2".....	68	50000RV	Instrument Tray Insert - Renal Vein Blades.....	23
47200NR	CV Clamp Mini L-Bar Reversed 2".....	68	50000U1	Instrument Tray Base - 1 Level (23 1/2" x 10 1/4" x 3").....	23
47201	CV - Clamp Assembly T-Bar 8".....	68	50000UAC	Instrument Case - Cervical Blade (22" x 10" x 2 1/2").....	22
47201N	CV Clamp T-Bar 8".....	68	50000UACT	Instrument Case - Cervical Blade Tray (Insert for 50000UAC).....	22
47201NF	CV Clamp T-Bar Offset 8".....	68	50000W	Instrument Case - 24" x 16" x 3".....	22
47202	CV - Clamp Assembly L-Bar 6" x 8".....	68	51229	Stylet for SALS Tip.....	21
47202N	CV Clamp L-Bar 6" x 8".....	68	51234	Suction for AL Surgery with SALS Tip Stylet.....	21
47202NR	CV Clamp L-Bar Reversed 6" x 8".....	68	51236	Depth Gauge Anterior Lumbar 335mm.....	21
47204	Universal Joint.....	69	51251	Drake Hook 258mm (10").....	69
47205T	1/4" Side Clip x 1/4" Slide with Thumb Screw.....	73	60008	MIS Spine Frame Right Arm.....	72
47210	MIS Spine Frame U-Bar.....	72	60009	MIS Spine Frame Left Arm.....	72
47211	MIS Spine Frame L-Bar.....	72	60010	MIS Spine Frame Rack 200mm (7 7/8").....	72
47212	MIS Spine Frame U-Bar Add On.....	72	60011	MIS Spine Frame Rack 150mm (5 7/8").....	72

PRODUCT INDEX

PART #	DESCRIPTION	PAGE	PART #	DESCRIPTION	PAGE
60012	MIS Spine Frame Rack 250mm (9 7/8").....	72	SL44329	Radio. Advanced MIS 18mm Concave Renal 25mm x 90mm (3/4" x 3 1/2")....	50
60020	T-Handle	17	SL44330	Radio. Advanced MIS 18mm Concave Renal 25mm x 100mm (3/4" x 4").....	50
60021	Hex Tool 3/16" with T-Handle	17, 63	SL44331	Radio. Advanced MIS 18mm Concave Renal 25mm x 110mm (3/4" x 4 3/8")..	50
60025	Orthopedic Retractor Handle Knob	70	SL44332	Radio. Advanced MIS 18mm Concave Renal 25mm x 120mm (3/4" x 4 3/4")..	50
64049	Silicone Sleeve Large	76	SL44333	Radio. Advanced MIS 18mm Concave Renal 18mm x 130mm (3/4" x 5 1/8")..	50
300251	Morse Sternal Retractor (Blades 28mm x 22mm / 1 1/8" x 7/8").....	68	SL44334	Radio. Advanced MIS 18mm Concave Renal 18mm x 140mm (3/4" x 5 1/2")..	50
300253	Morse Sternal Spreader Large (Blades 28mm x 38mm / 1 1/8" x 1 1/2").....	68	SL44335	Radio. Advanced MIS 18mm Concave Renal 18mm x 150mm (3/4" x 5 7/8")..	50
LLS-2000-2	LED Light Source.....	20	SL44336	Radio. Advanced MIS 18mm Concave Renal 18mm x 160mm (3/4" x 6 1/4")..	50
P45018	Rotatable Malleable 25mm x 102mm (1" x 4").....	30	SL44337	Radio. Advanced MIS 18mm Concave Renal 18mm x 170mm (3/4" x 6 5/8")..	50
P45022	Rotatable Malleable 51mm x 102mm (2" x 4").....	30	SL44338	Radio. Advanced MIS 18mm Concave Renal 18mm x 180mm (3/4" x 7").....	50
P45062	Rotatable Harrington 38mm x 127mm (1 1/2" x 5").....	27	SL44339	Radio. Advanced MIS 18mm Concave Renal 18mm x 190mm (3/4" x 7 1/2")..	50
P45074	Rotatable Deaver 51mm x 102mm (2" x 4").....	36	SL44340	Radio. Advanced MIS 18mm Concave Renal 18mm x 200mm (3/4" x 7 7/8")..	50
S43124	Fixed Malleable 64mm x 254 (2 1/2" x 10") - 6".....	30	SL44348	Radiolucent Concave Short Neck Renal 25mm x 80mm (1" x 3 1/8").....	50
S43125	Fixed Richardson 19mm x 25mm (3/4" x 1") - 6".....	35	SL44349	Radiolucent Concave Short Neck Renal 25mm x 90mm (1" x 3 1/2").....	50
S43126	Fixed Richardson 25mm x 32mm (1" x 1 1/4") - 6".....	35	SL44350	Radiolucent Concave Short Neck Renal 25mm x 100mm (1" x 4").....	50
S43127	Fixed Kelly 38mm x 51mm (1 1/2" x 2") - 6".....	28	SL44351	Radiolucent Concave Short Neck Renal 25mm x 110mm (1" x 4 3/8").....	50
S43128	Fixed Kelly 51mm x 64mm (2" x 2 1/2") - 6".....	28	SL44352	Radiolucent Concave Short Neck Renal 25mm x 120mm (1" x 4 3/4").....	50
S43129	Fixed Kelly 64mm x 76mm (2 1/2" x 3") - 6".....	28	SL44353	Radiolucent Concave Short Neck Renal 25mm x 130mm (1" x 5 1/8").....	50
S43130	Fixed Kelly 76mm x 89mm (3" x 3 1/2") - 6".....	28	SL44354	Radiolucent Concave Short Neck Renal 25mm x 140mm (1" x 5 1/2").....	50
S43140	Fixed Balfour [with lips] 70mm x 73mm (2 3/4" x 3") - 6".....	25	SL44355	Radiolucent Concave Short Neck Renal 25mm x 150mm (1" x 5 7/8").....	50
S43141	Fixed Balfour [with lips] 83mm x 73mm (3 1/4" x 3") - 6".....	25	SL44356	Radiolucent Concave Short Neck Renal 25mm x 160mm (1" x 6 1/4").....	50
S43151	Fixed Richardson 51mm X 127mm (2" x 5") - 6".....	34	SL44357	Radiolucent Concave Short Neck Renal 25mm x 170mm (1" x 6 3/4").....	50
S43170	Fixed Deaver 25mm x 127mm (1" x 5") - 6".....	36	SL44358	Radiolucent Concave Short Neck Renal 25mm x 180mm (1" x 7").....	50
S43172	Fixed Deaver 38mm x 127mm (1 1/2" x 5") - 6".....	36	SL44359	Radiolucent Concave Short Neck Renal 25mm x 190mm (1" x 7 1/2").....	50
S43182	Fixed Handle Heaney 25mm x 127mm (1" x 5") - 6".....	42	SL44360	Radiolucent Concave Short Neck Renal 25mm x 200mm (1" x 7 7/8").....	50
S45125	Swivel Richardson 19mm x 25mm (3/4" x 1") - 6".....	35	SL44368	Radiolucent Advanced MIS Fine Vessel 80mm (3 1/8").....	51
S45125A	Swivel Richardson 19mm x 51mm (3/4" x 2") - 6".....	35	SL44369	Radiolucent Advanced MIS Fine Vessel 90mm (3 1/2").....	51
S45126	Swivel Richardson 25mm x 32mm (1" x 1 1/4") - 6".....	35	SL44370	Radiolucent Advanced MIS Fine Vessel 100mm (4").....	51
S45127	Swivel Kelly 38mm x 51mm (1 1/2" x 2") - 6".....	28	SL44371	Radiolucent Advanced MIS Fine Vessel 110mm (4 3/8").....	51
S45142	Swivel Balfour [with lips] 32mm x 32mm (1 1/4" x 1 1/4") - 6".....	25	SL44372	Radiolucent Advanced MIS Fine Vessel 120mm (4 3/4").....	51
S45151	Swivel Richardson 51mm x 127mm (2" x 5") 6".....	34	SL44373	Radiolucent Advanced MIS Fine Vessel 130mm (5 1/8").....	51
S45601Q	Swivel Meyerding 16mm x 100mm (5/8" x 4").....	59	SL44374	Radiolucent Advanced MIS Fine Vessel 140mm (5 1/2").....	51
S45611Q	Swivel Meyerding 25mm x 76mm (1" x 3").....	59	SL44375	Radiolucent Advanced MIS Fine Vessel 150mm (5 7/8").....	51
S45616Q	Swivel Meyerding 51mm x 125mm (2" x 5").....	59	SL44376	Radiolucent Advanced MIS Fine Vessel 160mm (6 1/4").....	51
S45620Q	Swivel Army Navy 13mm x 55mm (1/2" x 2 1/8").....	58	SL44377	Radiolucent Advanced MIS Fine Vessel 170mm (6 5/8").....	51
S45622Q	Swivel Army Navy 13mm x 75mm (1/2" x 3 1/16").....	58	SL44378	Radiolucent Advanced MIS Fine Vessel 180mm (7").....	51
S45640Q	Swivel Concave 18mm x 70mm (5/8" x 2 3/4").....	53	SL44379	Radiolucent Advanced MIS Fine Vessel 190mm (7 1/2").....	51
S45645Q	Swivel Cloward 19mm x 44mm (3/4" x 1 3/4").....	54	SL44380	Radiolucent Advanced MIS Fine Vessel 200mm (7 7/8").....	51
SL42101	Dual Angle Handle 8".....	63	SL44410	Radio. Advanced MIS Reverse Tapered 20mm x 100mm (3/4" x 4").....	51
SL42102	Free Angle Handle 8".....	63	SL44412	Radio. Advanced MIS Reverse Tapered 20mm x 110mm (3/4" x 4 3/8").....	51
SL42125WA	Cam II Slide-on Angling 8".....	17	SL44414	Radio. Advanced MIS Reverse Tapered 20mm x 120mm (3/4" x 4 3/4").....	51
SL42125WH	Cam II Slide-On 8" (non-angling).....	17	SL44416	Radio. Advanced MIS Reverse Tapered 20mm x 130mm (3/4" x 5 1/8").....	51
SL42126LH	Clip-On with Hinge 8".....	76	SL44418	Radio. Advanced MIS Reverse Tapered 20mm x 140mm (3/4" x 5 1/2").....	51
SL42126WA	Cam II Angling Handle 8".....	17	SL44420	Radio. Advanced MIS Reverse Tapered 20mm x 150mm (3/4" x 5 7/8").....	51
SL42126WAL	Cam II Angling Handle 10".....	17	SL44422	Radio. Advanced MIS Reverse Tapered 20mm x 160mm (3/4" x 6 1/4").....	51
SL42126WDP	Cam II Clip-On Dual Angle Handle 8".....	17	SL44424	Radio. Advanced MIS Reverse Tapered 20mm x 170mm (3/4" x 6 3/8").....	51
SL42126WFP	Cam II Clip-On Free Angle Handle 8".....	17	SL44426	Radio. Advanced MIS Reverse Tapered 20mm x 180mm (3/4" x 7").....	51
SL42126WGLP	Cam II Clip-on Quick Angle 10".....	17	SL44428	Radio. Advanced MIS Reverse Tapered 20mm x 190mm (3/4" x 7 1/2").....	51
SL42126WGP	Cam II Clip-on Quick Angle 8".....	17	SL44430	Radio. Advanced MIS Reverse Tapered 20mm x 200mm (3/4" x 7 7/8").....	51
SL42126WH	Cam II Clip-on 8" (non-angling).....	17	SL44432	Radiolucent Concave 30mm x 60mm (1 1/8" x 2 3/8").....	50
SL42126WHLP	Cam II Clip-on 10" (non-angling).....	17	SL45002AS	Angling Handle 6" 3 dimple	73
SL42126WHP	Cam II Clip-on 8" (non-angling).....	17	SL45003	Interchangeable 8" (non-angling)	18
SL42127WA	Cam II Clip-on Angling 8" (3/8").....	17	SL45003AS	Angling Handle 8".....	18
SL42127WGP	Cam II Clip-on Quick Angle 8" (3/8").....	17	SL45003ASL	Angling Handle 10".....	18
SL42128F	Angling Hand Held Adapter	18	SL45003G	Quick Angle Handle 6".....	73
SL42128G	Quick Angle Hand Held Adapter	18	SL45003GS	Quick Angle Handle 8".....	18
SL42139E	Laparoscopic Rigid Holder for Elite	66	SL45003GSL	Quick Angle Handle 10".....	18
SL42139N	Laparoscopic Rigid Holder for Power Rail Clamp	66	SL45003L	Handle 8" (non-angling).....	18
SL42161	S-Lock Nathanson Adapter	67	SL45003LH	Hinged Handle 8".....	76
SL42190	S-Lock Articulating Arm.....	71	SL45003LM	Handle 10" (non-angling).....	18
SL42191	S-Lock Articulating Arm Small 15 1/2".....	10	SL45004AL	Angling Thompson Adapter Handle for Omni-Tract® 8 3/4".....	19
SL42200	Nathanson Hook Sm (5mm) 169mm x 125mm x 12mm (6 5/8" x 5" x 1/2")....	67	SL45004GL	Quick Angle Thompson Adapter Handle for Omni-Tract® 8 3/4".....	19
SL42201	Nathanson Hook Med (5mm) 203mm x 167mm x 16mm (8" x 6 1/2" x 5/8")..	67	SL45004L	Thompson Adapter Handle for Omni-Tract® 8 3/4" (non-angling).....	19
SL42202	Nathanson Hook Lg (5mm) 240mm x 222mm x 21mm (9 1/2" x 8 3/4" x 7/8")..	67	SL45005AL	Ratchet Angling Retractor Handle 10 1/4".....	19
SL42203	Nathanson Hook Sm (6.5mm) 169mm x 125mm x 12mm (6 5/8" x 5" x 1/2")....	67	SL45005G	Ratchet Quick Angle Retractor Handle 8".....	19
SL42204	Nathanson Hook Med (6.5mm) 203mm x 167mm x 16mm (8" x 6 1/2" x 5/8")....	67	SL45005GL	Ratchet Quick Angle Retractor Handle 10 1/4".....	19
SL42205	Nathanson Hook Lg (6.5mm) 240mm x 222mm x 21mm (9 1/2" x 8 3/4" x 7/8")..	67	SL45005L	Ratchet Retractor Handle 10 1/4" (non-angling).....	19
SL44328	Radio. Advanced MIS 18mm Concave Renal 25mm x 80mm (3/4" x 3 1/8")....	50	SL45006CA	Micro-Adjustable II Clip-On Angling 10".....	16

PART #	DESCRIPTION	PAGE	PART #	DESCRIPTION	PAGE
SL45006CAR	Micro-Adjustable II Clip-on Angling 15".....	16	SL45602AT	Meyerding with Teeth 25mm x 100mm (1" x 4")	59
SL45006CGP	Micro-Adjustable II Clip-on Quick Angle 10".....	16	SL45603A	Meyerding 25mm x 125mm (1" x 5").....	59
SL45006CGRP	Micro-Adjustable II Clip-on Quick Angle 15".....	16	SL45603AT	Meyerding with Teeth 25mm x 125mm (1" x 5")	59
SL45006STA	Micro-Adjustable II Slide-on Angling 10".....	16	SL45604A	Peress 60mm x 102mm (2 3/8" x 4").....	61
SL45006STC	Micro-Adjustable II Clip-on 10 3/4" (non-angling).....	16	SL45605A	Peress 60mm x 127mm (2 3/8" x 5")	61
SL45006STCP	Micro-Adjustable II Clip-on 10 3/4" (non-angling).....	16	SL45606A	Peress 60mm x 152mm (2 3/8" x 6").....	61
SL45007CA	Micro-Adjustable II Clip-on Angling 7 3/4".....	16	SL45607A	Peress 35mm x 102mm (1 3/8" x 4").....	61
SL45007CGP	Micro-Adjustable II Clip-on Quick Angle 7 3/4".....	16	SL45608A	Peress 35mm x 127mm (1 3/8" x 5").....	61
SL45007P	Micro-Adjustable II Clip-On Angling 20".....	16	SL45609A	Peress 35mm x 152mm (1 3/8" x 6").....	61
SL45007PGP	Micro-Adjustable II Clip-on Quick Angle 20".....	16	SL45610A	Meyerding 25mm x 60mm (1" x 2 3/8").....	59
SL45007STA	Micro-Adjustable II Slide-on Angling 7 3/4".....	16	SL45610AT	Meyerding with Teeth 25mm x 60mm (1" x 2 3/8")	59
SL45007STC	Micro-Adjustable II Clip-On 8 3/4" (non-angling).....	16	SL45611A	Meyerding 25mm x 75mm (1" x 3")	59
SL45007STCP	Micro-Adjustable II Clip-On 8 3/4" (non-angling).....	16	SL45611AT	Meyerding with Teeth 25mm x 75mm (1" x 3")	59
SL45007STG	Micro-Adjustable II Slide-on Quick Angle 7 3/4".....	16	SL45614A	Meyerding 16mm x 51mm (5/8" x 2").....	59
SL45010A	Mini Micro-Adjustable Clip-on Angling 8" (cervical use only).....	16	SL45614AT	Meyerding with Teeth 16mm x 51mm (5/8" x 2")	59
SL45011CGP	Mini Micro-Adjustable Clip-on Quick Angle 9".....	16	SL45618AT	Meyerding with Teeth 25mm x 115mm (1" x 4 1/2")	59
SL45012S	Interchangeable Head with 1/4" Scissor.....	73	SL45619AT	Meyerding with Teeth 38mm x 165mm (1 1/2" x 6 1/2")	59
SL45014AL	Angling Thompson Adapter Handle for SynFrame® 8 3/4".....	19	SL45620A	Army Navy 13mm x 55mm (1/2" x 2 1/8").....	58
SL45014GL	Quick Angle Thompson Adapter Handle for SynFrame® 8 3/4".....	19	SL45621A	Army Navy 13mm x 65mm (1/2" x 2 5/8").....	58
SL45014L	Thompson Adapter Handle for SynFrame® 8 3/4" (non-angling).....	19	SL45622A	Army Navy 13mm x 75mm (1/2" x 3 1/8").....	58
SL45150A	Concave Lateral 19mm x 55mm (3/4" x 2 1/4").....	53	SL45624AT	Radiolucent MIS Tapered 15mm x 23mm x 35mm (5/8" x 1" x 1 3/8").....	58
SL45150AT	Radiolucent Concave Lateral 22mm x 60mm (7/8" x 2 3/8").....	52	SL45625AT	Radiolucent MIS Tapered 15mm x 23mm x 40mm (5/8" x 1" x 1 1/2").....	58
SL45150ATT	Radiolucent Concave Lateral with Teeth 22mm x 60mm (7/8" x 2 3/8").....	53	SL45626AT	Radiolucent MIS Tapered 15mm x 23mm x 45mm (5/8" x 1" x 1 3/4").....	58
SL45151A	Concave Lateral 25mm x 50mm (1" x 2").....	53	SL45627AT	Radiolucent MIS Tapered 15mm x 23mm x 50mm (5/8" x 1" x 2").....	58
SL45151AT	Radiolucent Concave Lateral 22mm x 70mm (7/8" x 2 3/4").....	52	SL45628AT	Radiolucent MIS Tapered 15mm x 23mm x 55mm (5/8" x 1" x 2 1/8").....	58
SL45151ATT	Radiolucent Concave Lateral with Teeth 22mm x 70mm (7/8" x 2 3/4").....	53	SL45629AT	Radiolucent MIS Tapered 15mm x 23mm x 60mm (5/8" x 1" x 2 3/8").....	58
SL45152A	Concave Lateral 25mm x 85mm (1" x 3 3/8").....	53	SL45630AT	Radiolucent MIS Tapered 15mm x 23mm x 65mm (5/8" x 1" x 2 1/2").....	58
SL45152AT	Radiolucent Concave Lateral 22mm x 80mm (7/8" x 3 1/8").....	52	SL45631AT	Radiolucent MIS Tapered 15mm x 23mm x 70mm (5/8" x 1" x 2 3/4").....	58
SL45152ATT	Radiolucent Concave Lateral with Teeth 22mm x 80mm (7/8" x 3 1/8").....	53	SL45632AT	Radiolucent MIS Tapered 15mm x 23mm x 75mm (5/8" x 1" x 3").....	58
SL45153A	Concave Medial 32mm x 70mm (1 1/4" x 2 3/4").....	58	SL45639EB	Radiolucent Concave Tapered 23mm x 30mm (1" x 1 1/8") [Anodized All].....	54
SL45154A	Concave Medial 38mm x 70mm (1 1/2" x 2 3/4").....	58	SL45639EBT	Radiolucent Concave Tapered with Teeth 23mm x 30mm (1" x 1 1/8") [AA].....	54
SL45155A	Concave Medial 38mm x 85mm (1 1/2" x 3 3/8").....	58	SL45640A	Concave Lateral 18mm x 70mm (5/8" x 2 3/4").....	53
SL45156A	Concave Lateral 25mm x 30mm (1" x 1 1/4").....	53	SL45641A	Concave Tapered 45mm x 50mm (1 3/4" x 2").....	54
SL45157A	Concave Lateral 25mm x 40mm (1" x 1 1/2").....	53	SL45641AT	Radiolucent Concave Tapered 51mm x 50mm (2" x 2").....	54
SL45158A	Concave Lateral 25mm x 60mm (1" x 2 3/8").....	53	SL45641ATT	Radiolucent Concave Tapered with Teeth 51mm x 50mm (2" x 2").....	55
SL45159A	Concave Lateral 25mm x 70mm (1" x 2 3/4").....	53	SL45642A	Concave Tapered 45mm x 65mm (1 3/4" x 2 1/2").....	54
SL45160A	Concave Longitudinal 23mm x 30mm (1" x 1 1/4").....	55	SL45642AT	Radiolucent Concave Tapered 51mm x 65mm (2" x 2 1/2").....	54
SL45160AT	Radiolucent Concave Longitudinal 23mm x 30mm (1" x 1 1/4").....	55	SL45642ATT	Radiolucent Concave Tapered with Teeth 51mm x 65mm (2" x 2 1/2").....	55
SL45160EB	Radiolucent Concave Longitudinal 23mm x 30mm (1" x 1 1/4") [Anodized].....	55	SL45643A	Concave Tapered 19mm x 35mm (3/4" x 1 3/8").....	54
SL45161A	Concave Longitudinal 23mm x 50mm (1" x 2").....	55	SL45643AT	Radiolucent Concave Tapered 23mm x 35mm (1" x 1 3/8").....	54
SL45161AT	Radiolucent Concave Longitudinal 23mm x 40mm (1" x 1 1/2").....	55	SL45643ATT	Radiolucent Concave Tapered with Teeth 23mm x 35mm (1" x 1 3/8").....	54
SL45161EB	Radiolucent Concave Longitudinal 23mm x 40mm (1" x 1 1/2") [Anodized].....	55	SL45643EB	Radiolucent Concave Tapered 23mm x 35mm (1" x 1 3/8") [Anodized All].....	54
SL45162A	Concave Longitudinal 23mm x 70mm (1" x 2 3/4").....	55	SL45643EBT	Radiolucent Concave Tapered with Teeth 23mm x 35mm (1" x 1 3/8") [AA].....	54
SL45162AT	Radiolucent Concave Longitudinal 23mm x 50mm (1" x 2").....	55	SL45644AT	Radiolucent Concave Tapered 23mm x 40mm (1" x 1 1/2").....	54
SL45162EB	Radiolucent Concave Longitudinal 23mm x 50mm (1" x 2") [Anodized All].....	55	SL45644ATT	Radiolucent Concave Tapered with Teeth 23mm x 40mm (1" x 1 1/2").....	54
SL45163AT	Radiolucent Concave Longitudinal 23mm x 60mm (1" x 2 3/8").....	55	SL45644EB	Radiolucent Concave Tapered 23mm x 40mm (1" x 1 1/2") [Anodized All].....	54
SL45163EB	Radiolucent Concave Longitudinal 23mm x 60mm (1" x 2 3/8") [Anodized].....	55	SL45644EBT	Radiolucent Concave Tapered with Teeth 23mm x 40mm (1" x 1 1/2") [AA].....	54
SL45164AT	Radiolucent Concave Longitudinal 23mm x 70mm (1" x 2 3/4").....	55	SL45645A	Concave Tapered 19mm x 45mm (3/4" x 1 3/4").....	54
SL45164EB	Radiolucent Concave Longitudinal 23mm x 70mm (1" x 2 3/4") [Anodized].....	55	SL45645AT	Radiolucent Concave Tapered 23mm x 45mm (3/4" x 1 3/4").....	54
SL45165AT	Radiolucent Concave Longitudinal 23mm x 80mm (1" x 3 1/8").....	55	SL45645ATT	Radiolucent Concave Tapered with Teeth 23mm x 45mm (3/4" x 1 3/4").....	54
SL45165EB	Radiolucent Concave Longitudinal 23mm x 80mm (1" x 3 1/8") [Anodized].....	55	SL45645EB	Radiolucent Concave Tapered 23mm x 45mm (3/4" x 1 3/4") [Anodized All].....	54
SL45166AT	Radiolucent Concave Longitudinal 23mm x 90mm (1" x 3 1/2").....	55	SL45645EBT	Radiolucent Concave Tapered with Teeth 23mm x 45mm (3/4" x 1 3/4") [AA].....	54
SL45167AT	Radiolucent Concave Longitudinal 23mm x 100mm (1" x 4").....	55	SL45646A	Concave Tapered 19mm x 50mm (3/4" x 2").....	54
SL45168AT	Radiolucent Concave Longitudinal 23mm x 110mm (1" x 4 3/8").....	55	SL45646AT	Radiolucent Concave Tapered 23mm x 50mm (1" x 2").....	54
SL45212A	Concave Medial 13mm x 50mm (1/2" x 2").....	58	SL45646ATT	Radiolucent Concave Tapered with Teeth 23mm x 50mm (1" x 2").....	55
SL45214A	Concave Medial 13mm x 75mm (1/2" x 3").....	58	SL45646EB	Radiolucent Concave Tapered 23mm x 50mm (1" x 2") [Anodized All].....	54
SL45216A	Concave Medial 13mm x 100mm (1/2" x 4").....	58	SL45646EBT	Radiolucent Concave Tapered with Teeth 23mm x 50mm (1" x 2") [AA].....	55
SL45222A	Concave Medial 19mm x 50mm (3/4" x 2").....	58	SL45647AT	Radiolucent Concave Tapered 23mm x 55mm (1" x 2 1/8").....	54
SL45224A	Concave Medial 19mm x 75mm (3/4" x 3").....	58	SL45647ATT	Radiolucent Concave Tapered with Teeth 23mm x 55mm (1" x 2 1/8").....	55
SL45226A	Concave Medial 19mm x 100mm (3/4" x 4").....	58	SL45647EB	Radiolucent Concave Tapered 23mm x 55mm (1" x 2 1/8") [Anodized All].....	54
SL45232A	Concave Medial 25mm x 50mm (1" x 2").....	58	SL45647EBT	Radiolucent Concave Tapered with Teeth 23mm x 55mm (1" x 2 1/8") [AA].....	55
SL45234A	Concave Medial 25mm x 75mm (1" x 3").....	58	SL45648AT	Radiolucent Concave Tapered 23mm x 60mm (1" x 2 3/8").....	54
SL45236A	Concave Medial 25mm x 100mm (1" x 4").....	58	SL45648ATT	Radiolucent Concave Tapered with Teeth 23mm x 60mm (1" x 2 3/8").....	55
SL45600A	Meyerding 16mm x 75mm (5/8" x 3").....	59	SL45648EB	Radiolucent Concave Tapered 23mm x 60mm (1" x 2 3/8") [Anodized All].....	54
SL45600AT	Meyerding with Teeth 16mm x 75mm (5/8" x 3").....	59	SL45648EBT	Radiolucent Concave Tapered with Teeth 23mm x 60mm (1" x 2 3/8") [AA].....	55
SL45601A	Meyerding 16mm x 100mm (5/8" x 4").....	59	SL45649AT	Radiolucent Concave Tapered 23mm x 65mm (1" x 2 1/2").....	54
SL45601AT	Meyerding with Teeth 16mm x 100mm (5/8" x 4").....	59	SL45649ATT	Radiolucent Concave Tapered with Teeth 23mm x 65mm (1" x 2 1/2").....	55
SL45602A	Meyerding 25mm x 100mm (1" x 4").....	59	SL45649EB	Radiolucent Concave Tapered 23mm x 65mm (1" x 2 1/2") [Anodized All].....	54

PRODUCT INDEX

PART #	DESCRIPTION	PAGE	PART #	DESCRIPTION	PAGE
SL45649EBT	Radiolucent Concave Tapered with Teeth 23mm x 65mm (1" x 2 1/2") [AA]..55	55	SL46122A	Malleable 51mm x 254mm (2" x 10")	30
SL45650AT	Radiolucent Concave Tapered 23mm x 70mm (1" x 2 3/4")	54	SL46122AET	Radiolucent Malleable 51mm x 254mm (2" x 10")	30
SL45650ATT	Radiolucent Concave Tapered with Teeth 23mm x 70mm (1" x 2 3/4").....55	55	SL46122ET	Radiolucent Malleable 51mm x 203mm (2" x 8")	31
SL45650EB	Radiolucent Concave Tapered 23mm x 70mm (1" x 2 3/4") [Anodized Al]....54	54	SL46122P	Malleable 51mm x 102mm (2" x 4")	30
SL45650EBT	Radiolucent Concave Tapered with Teeth 23mm x 70mm (1" x 2 3/4") [AA]..55	55	SL46122RET	Radiolucent Long Neck Renal 25mm x 305mm (1" x 12").....37	37
SL45651AT	Radiolucent Concave Tapered 23mm x 75mm (1" x 3")	54	SL46122V	Malleable Slotted 51mm x 203mm (2" x 8").....32	32
SL45651ATT	Radiolucent Concave Tapered with Teeth 23mm x 75mm (1" x 3").....55	55	SL46123	Malleable 38mm x 203mm (1 1/2" x 8")	30
SL45651EB	Radiolucent Concave Tapered 23mm x 75mm (1" x 3") [Anodized Al].....54	54	SL46124	Malleable 64mm x 254mm (2 1/2" x 10")	30
SL45651EBT	Radiolucent Concave Tapered with Teeth 23mm x 75mm (1" x 3") [AA].....55	55	SL46124ET	Radiolucent Malleable 64mm x 254mm (2 1/2" x 10")	31
SL45652AT	Radiolucent Concave Tapered 23mm x 80mm (1" x 3 1/8")	54	SL46125	Richardson 19mm x 25mm (3/4" x 1")	35
SL45652ATT	Radiolucent Concave Tapered with Teeth 23mm x 80mm (1" x 3 1/8")	55	SL46125A	Richardson 19mm x 51mm (3/4" x 2")	35
SL45652EB	Radiolucent Concave Tapered 23mm x 80mm (1" x 3 1/8") [Anodized Al]54	54	SL46126	Richardson 25mm x 152mm (2 3/8" x 6")	35
SL45652EBT	Radiolucent Concave Tapered with Teeth 23mm x 80mm (1" x 3 1/8") [AA]..55	55	SL46127	Kelly 38mm x 51mm (1 1/2" x 2")	28
SL45656A	Malleable 25mm x 110mm (1" x 4 1/2")	30	SL46127ET	Radiolucent Kelly 38mm x 51mm (1 1/2" x 2")	28
SL45656AT	Radiolucent Malleable 25mm x 110mm (1" x 4 1/2")	30	SL46128	Kelly 51mm x 64mm (2" x 2 1/2")	28
SL45657A	Malleable 13mm x 90mm (1/2" x 3 1/2")	30	SL46128ET	Radiolucent Kelly 51mm x 64mm (2" x 2 1/2")	28
SL45657AT	Radiolucent Malleable 13mm x 90mm (1/2" x 3 1/2")	30	SL46137	Holtgrewe 60mm x 152mm (2 3/8" x 6")	43
SL45666AT	Radiolucent Odontoid 20mm x 90mm (3/4" x 3 1/2")	57	SL46139	"Y" Bladder 81mm x 216mm (3 1/8" x 8 1/2").....43	43
SL45666EB	Radiolucent Odontoid 20mm x 90mm (3/4" x 3 1/2") [Anodized Aluminum]..57	57	SL46140ET	Radiolucent Balfour [with lips] 65mm x 72mm (2 1/2" x 2 3/4").....25	25
SL45750A	Midline R 70mm x 83mm (2 3/4" x 3 1/4")	57	SL46140P	Balfour [with lips] 76mm x 51mm (3" x 2")	25
SL45750AT	Radiolucent Midline R 70mm x 83mm (2 3/4" x 3 1/4")	57	SL46141ET	Radiolucent Balfour [with lips] 83mm x 70mm (3 1/4" x 2 3/4")	25
SL45750EB	Radiolucent Midline R 70mm x 83mm (2 3/4" x 3 1/4") [Anodized Al]	57	SL46142	Balfour [with lips] 32mm x 32mm (1 1/4" x 1 1/4").....25	25
SL45751A	Midline L 70mm x 83mm (2 3/4" x 3 1/4")	57	SL46142EB	Radiolucent Balfour [with lips] 32mm x 32mm (1 1/4" x 1 1/4") [Anodized]25	25
SL45751AT	Radiolucent Midline L 70mm x 83mm (2 3/4" x 3 1/4")	57	SL46142ET	Radiolucent Balfour [with lips] 32mm x 32mm (1 1/4" x 1 1/4").....25	25
SL45751EB	Radiolucent Midline L 70mm x 83mm (2 3/4" x 3 1/4") [Anodized Al].....57	57	SL46142P	Balfour [with lips] 51mm x 54mm (2" x 2")	25
SL45753AM	Prostate Retractor 8mm (3/8").....44	44	SL46142PEB	Radiolucent Balfour [with lips] 51mm x 51mm (2" x 2") [Anodized]	25
SL45754A	Midline R 57mm x 83mm (2 1/4" x 3 1/4")	57	SL46143	Fenestrated 44mm x 89mm (1 3/4" x 3 1/2").....38	38
SL45755A	Midline L 57mm x 83mm (2 1/4" x 3 1/4")	57	SL46144	Fenestrated 48mm x 127mm (1 7/8" x 5").....38	38
SL45760A	Prong 75mm (3")	60	SL46145	Splanchnich 51mm x 114mm (2" x 4 1/2")	29
SL45761A	Prong 100mm (4")	60	SL46145ET	Radiolucent Splanchnich 51mm x 115mm (2" x 4 1/2").....29	29
SL45764	PLA Hook 40mm (1 1/2").....75	75	SL46146	Splanchnich 51mm x 152mm (2" x 6")	29
SL45765	PLA Hook 50mm (2").....75	75	SL46146ET	Radiolucent Splanchnich 51mm x 152mm (2" x 6")	29
SL45766	PLA Hook 60mm (2 3/8").....75	75	SL46147ET	Radiolucent Splanchnich 51mm x 203mm (2" x 8)	29
SL45767	PLA Hook 70mm (2 3/4").....75	75	SL46148ET	Radiolucent Splanchnich 25mm x 152mm (1" x 6")	29
SL45768	PLA Hook 80mm (3 1/8").....75	75	SL46149	Richardson 44mm x 51mm (1 3/4" x 2")	34
SL45769	PLA Hook 90mm (3 1/2").....75	75	SL46149ET	Radiolucent Richardson 44mm x 51mm (1 3/4" x 2").....34	34
SL45770	PLA Hook 100mm (4").....75	75	SL46150	Richardson 51mm x 102mm (2" x 4")	34
SL45771	PLA Hook 110mm (4 3/8").....75	75	SL46150ET	Radiolucent Richardson 51mm x 102mm (2" x 4")	34
SL45772	PLA Hook 120mm (4 3/4").....75	75	SL46151	Richardson 51mm x 127mm (2" x 5").....34	34
SL46112	Malleable 51mm x 165mm (2" x 6 1/2")	31	SL46152	Richardson 51mm x 152mm (2" x 6").....34	34
SL46115	Malleable 13mm x 64mm (1/2" x 2 1/2")	30	SL46153	Richardson 51mm x 178mm (2" x 7").....34	34
SL46115ET	Radiolucent Malleable 13mm x 64mm (1/2" x 2 1/2")	30	SL46154	Richardson 51mm x 76mm (2" x 3")	34
SL46116	Malleable 13mm x 152mm (1/2" x 6")	30	SL46154ET	Radiolucent Richardson 51mm x 76mm (2" x 3")	34
SL46116ET	Radiolucent Malleable 13mm x 152mm (1/2" x 6")	30	SL46155	Mini-Open Richardson 51mm x 76mm (2" x 3")	33
SL46117	Malleable 13mm x 203mm (1/2" x 8")	30	SL46156	Mini-Open Richardson 51mm x 102mm (2" x 4")	33
SL46117ET	Radiolucent Malleable 13mm x 203mm (1/2" x 8")	30	SL46157	Mini-Open Richardson 51mm x 127mm (2" x 5")	33
SL46118	Malleable 25mm x 203mm (1" x 8")	30	SL46158	Mini-Open Richardson 51mm x 152mm (2" x 6")	33
SL46118A	Malleable 25mm x 254mm (1" x 10")	30	SL46159ET	Radiolucent Splanchnich 25mm x 203mm (1" x 8")	29
SL46118B	Malleable 38mm x 254mm (1 1/2" x 10")	30	SL46160	Harrington 64mm x 152mm (2 1/2" x 6").....27	27
SL46118C	Malleable 25mm x 76mm (1" x 3")	31	SL46160E	Radiolucent Harrington 64mm x 152mm (2 1/2" x 6") [Aluminum].....27	27
SL46118ET	Radiolucent Malleable 25mm x 203mm (1" x 8")	30	SL46160ET	Radiolucent Harrington 64mm x 152mm (2 1/2" x 6").....27	27
SL46118P	Malleable 25mm x 102mm (1" x 4")	30	SL46161	Harrington 114mm x 254mm (4 1/2" x 10").....27	27
SL46118PET	Radiolucent Malleable 25mm x 102mm (1" x 4")	30	SL46162P	Harrington 38mm x 127mm (1 1/2" x 5").....27	27
SL46118R	Malleable Renal 25mm x 203mm (1" x 8").....38	38	SL46163	Harrington 64mm x 203mm (2 1/2" x 8").....27	27
SL46118RET	Radiolucent Long Neck Renal 25mm x 203mm (1" x 8").....37	37	SL46163ET	Radiolucent Harrington 64mm x 203mm (2 1/2" x 8").....27	27
SL46119	Malleable 25mm x 127mm (1" x 5")	30	SL46164	Harrington 64mm x 254mm (2 1/2" x 10").....27	27
SL46119A	Malleable 25mm x 152mm (1" x 6")	31	SL46164ET	Radiolucent Harrington 64mm x 254mm (2 1/2" x 10").....27	27
SL46119B	Concave Round Neck Renal 25mm x 140mm (1" x 5 1/2").....37	37	SL46165	Harrington 64mm x 102mm (2 1/2" x 4")	27
SL46119BET	Radiolucent Malleable Concave Renal 25mm x 140mm (1" x 5 1/2").....37	37	SL46165ET	Radiolucent Harrington 64mm x 102mm (2 1/2" x 4")	27
SL46119C	Concave Round Neck Renal 25mm x 191mm (1" x 7 1/2").....37	37	SL46170	Deaver 25mm x 127mm (1" x 5")	36
SL46119CET	Radiolucent Malleable Concave Renal 25mm x 190mm (1" x 7 1/2").....37	37	SL46170ET	Radiolucent Deaver 25mm x 127mm (1" x 5").....36	36
SL46119RET	Radiolucent Long Neck Renal 25mm x 140mm (1" x 5 1/2").....37	37	SL46172	Deaver 38mm x 127mm (1 1/2" x 5")	36
SL46120	Malleable 38mm x 102mm (1 1/2" x 4")	31	SL46172ET	Radiolucent Deaver 38mm x 127mm (1 1/2" x 5").....36	36
SL46120A	Malleable 38mm x 127mm (1 1/2" x 5")	31	SL46174	Deaver 51mm x 127mm (2" x 5")	36
SL46120B	Malleable 38mm x 152mm (1 1/2" x 6")	31	SL46174ET	Radiolucent Deaver 51mm x 127mm (2" x 5").....36	36
SL46120RET	Radiolucent Long Neck Renal 25mm x 190mm (1" x 7 1/2").....37	37	SL46175	Deaver 64mm x 127mm (2 1/2" x 5").....36	36
SL46121RET	Radiolucent Long Neck Renal 25mm x 255mm (1" x 10").....37	37	SL46176ET	Radiolucent Deaver 76mm x 127mm (3" x 5").....36	36
SL46122	Malleable 51mm x 203mm (2" x 8")	30	SL46178ET	Radiolucent Deaver 100mm x 127mm (4" x 5").....36	36

PART #	DESCRIPTION	PAGE	PART #	DESCRIPTION	PAGE
SL46180	Heany 25mm x 102mm (1" x 4")	42	SL46270TET	Brau Reverse Lip Tapered 25mm x 200mm (1" x 7 7/8")	47
SL46182	Heany 25mm x 127mm (1" x 5")	42	SL46271RET	Brau Reverse Lip 25mm x 210mm (1" x 8 1/4")	46
SL46183	Allison Lung Retractor 229mm (9")	40	SL46272RET	Brau Reverse Lip 25mm x 220mm (1" x 8 5/8")	46
SL46185	Hill-Ferguson 32mm x 76mm (1 1/4" x 3")	45	SL46273RET	Brau Reverse Lip 25mm x 230mm (1" x 9")	46
SL46186	Hill-Ferguson 25mm x 64mm (1" x 2 1/2")	45	SL46274RET	Brau Reverse Lip 25mm x 240mm (1" x 9 1/2")	46
SL46187	Rectal 13mm x 117mm (1/2" x 4 1/2")	45	SL46275RET	Brau Reverse Lip 25mm x 250mm (1" x 9 7/8")	46
SL46190	Double Bladed 76mm x 114mm (3" x 4 1/2")	42	SL46275TET	Brau Reverse Lip Tapered 25mm x 250mm (1" x 9 7/8")	47
SL46191	Malleable Finger 152mm (6")	31	SL46280RET	Brau Reverse Lip 32mm x 100mm (1 1/4" x 4")	46
SL46191ET	Radiolucent Malleable Finger 152mm (6")	31	SL46281RET	Brau Reverse Lip 32mm x 110mm (1 1/4" x 4 3/8")	46
SL46191L	Malleable Finger 203mm (8")	31	SL46282RET	Brau Reverse Lip 32mm x 120mm (1 1/4" x 4 3/4")	46
SL46191P	Malleable Finger 102mm (4")	31	SL46283RET	Brau Reverse Lip 32mm x 130mm (1 1/4" x 5 1/8")	46
SL46191SP	Malleable Finger 76mm (3")	31	SL46284RET	Brau Reverse Lip 32mm x 140mm (1 1/4" x 5 1/2")	46
SL46192	Bladder Blade 35mm x 89mm (1 3/8" x 3 1/2")	43	SL46285RET	Brau Reverse Lip 32mm x 150mm (1 1/4" x 5 7/8")	46
SL46192ET	Brau Reverse Lip Malleable 25mm x 200mm (1" x 7 7/8")	47	SL46286RET	Brau Reverse Lip 32mm x 160mm (1 1/4" x 6 1/4")	46
SL46193ET	Brau Reverse Lip Malleable 32mm x 200mm (1 1/4" x 7 7/8")	47	SL46287RET	Brau Reverse Lip 32mm x 170mm (1 1/4" x 6 5/8")	46
SL46194ET	Brau Reverse Lip (Long Neck) 25mm x 100mm (1" x 4")	48	SL46288RET	Brau Reverse Lip 32mm x 180mm (1 1/4" x 7")	46
SL46194RET	Brau Reverse Lip (Long Neck) 25mm x 100mm (1" x 4")	48	SL46289RET	Brau Reverse Lip 32mm x 190mm (1 1/4" x 7 1/2")	47
SL46195ET	Brau Reverse Lip (Long Neck) 25mm x 150mm (1" x 5 7/8")	48	SL46290RET	Brau Reverse Lip 32mm x 200mm (1 1/4" x 7 7/8")	47
SL46195RET	Brau Reverse Lip (Long Neck) 25mm x 150mm (1" x 5 7/8")	48	SL46291RET	Brau Reverse Lip 32mm x 210mm (1 1/4" x 8 1/4")	47
SL46195TET	Brau Reverse Lip Tapered (Long Neck) 25mm x 150mm (1" x 5 7/8")	48	SL46292RET	Brau Reverse Lip 32mm x 220mm (1 1/4" x 8 5/8")	47
SL46196CET	Brau Reverse Lip Concave (Long Neck) 25mm x 200mm (1" x 7 7/8")	48	SL46293RET	Brau Reverse Lip 32mm x 230mm (1 1/4" x 9")	47
SL46196ET	Brau Reverse Lip (Long Neck) 25mm x 200mm (1" x 7 7/8")	48	SL46294RET	Brau Reverse Lip 32mm x 240mm (1 1/4" x 9 1/2")	47
SL46196RET	Brau Reverse Lip (Long Neck) 25mm x 200mm (1" x 7 7/8")	48	SL46295RET	Brau Reverse Lip 32mm x 250mm (1 1/4" x 9 7/8")	47
SL46196TET	Brau Reverse Lip Tapered (Long Neck) 25mm x 200mm (1" x 7 7/8")	48	SL46310EB	Radiolucent Concave Lateral 23mm x 30mm (1" x 1 1/8") [Anodized Al]	52
SL46197ET	Brau Reverse Lip (Long Neck) 32mm x 100mm (1 1/4" x 4")	48	SL46310EBT	Radiolucent Concave Lateral with Teeth 23mm x 30mm (1" x 1 1/8") [AA]	53
SL46197RET	Brau Reverse Lip (Long Neck) 32mm x 100mm (1 1/4" x 4")	48	SL46312AT	Radiolucent Concave Lateral 23mm x 35mm (1" x 1 3/8")	52
SL46198ET	Brau Reverse Lip (Long Neck) 32mm x 150mm (1 1/4" x 5 7/8")	48	SL46312ATT	Radiolucent Concave Lateral with Teeth 23mm x 35mm (1" x 1 3/8")	53
SL46198RET	Brau Reverse Lip (Long Neck) 32mm x 150mm (1 1/4" x 5 7/8")	48	SL46312EB	Radiolucent Concave Lateral 23mm x 35mm (1" x 1 3/8") [Anodized Al]	52
SL46199CET	Brau Reverse Lip Concave (Long Neck) 32mm x 200mm (1 1/4" x 7 7/8")	48	SL46312EBT	Radiolucent Concave Lateral with Teeth 23mm x 35mm (1" x 1 3/8") [AA]	53
SL46199RET	Brau Reverse Lip (Long Neck) 32mm x 200mm (1 1/4" x 7 7/8")	48	SL46314AT	Radiolucent Concave Lateral 23mm x 40mm (1" x 1 1/2")	52
SL46199RET	Brau Reverse Lip (Long Neck) 32mm x 200mm (1 1/4" x 7 7/8")	48	SL46314ATT	Radiolucent Concave Lateral with Teeth 23mm x 40mm (1" x 1 1/2")	53
SL46200CET	Brau Reverse Lip Concave (Long Neck) 25mm x 255mm (1" x 10")	48	SL46314EB	Radiolucent Concave Lateral 23mm x 40mm (1" x 1 1/2") [Anodized Al]	52
SL46200RET	Brau Reverse Lip (Long Neck) 25mm x 255mm (1" x 10")	48	SL46314EBT	Radiolucent Concave Lateral with Teeth 23mm x 40mm (1" x 1 1/2") [AA]	53
SL46200RET	Brau Reverse Lip (Long Neck) 25mm x 255mm (1" x 10")	48	SL46316AT	Radiolucent Concave Lateral 23mm x 45mm (1" x 1 3/4")	52
SL46201CET	Brau Reverse Lip Concave (Long Neck) 32mm x 255mm (1 1/4" x 10")	48	SL46316ATT	Radiolucent Concave Lateral with Teeth 23mm x 45mm (1" x 1 3/4")	53
SL46201RET	Brau Reverse Lip (Long Neck) 32mm x 255mm (1 1/4" x 10")	48	SL46316EB	Radiolucent Concave Lateral 23mm x 45mm (1" x 1 3/4") [Anodized Al]	52
SL46201RET	Brau Reverse Lip (Long Neck) 32mm x 255mm (1 1/4" x 10")	48	SL46316EBT	Radiolucent Concave Lateral with Teeth 23mm x 45mm (1" x 1 3/4") [AA]	53
SL46202	Malleable Slotted 51mm x 165mm (2" x 6 1/2")	32	SL46318AT	Radiolucent Concave Lateral 23mm x 50mm (1" x 2")	52
SL46210	Volkman Sharp 6 Prong - 25mm x 13mm (1" x 1/2")	39	SL46318ATT	Radiolucent Concave Lateral with Teeth 23mm x 50mm (1" x 2")	53
SL46211	Volkman Blunt 6 Prong - 25mm x 13mm (1" x 1/2")	39	SL46318EB	Radiolucent Concave Lateral 23mm x 50mm (1" x 2") [Anodized Al]	52
SL46212	Volkman Sharp 4 Prong - 16mm x 13mm (5/8" x 1/2")	39	SL46318EBT	Radiolucent Concave Lateral with Teeth 23mm x 50mm (1" x 2") [AA]	53
SL46213	Volkman Blunt 4 Prong - 16mm x 13mm (5/8" x 1/2")	39	SL46320AT	Radiolucent Concave Lateral 23mm x 55mm (1" x 2 1/8")	52
SL46214	Murphy Sharp 4 Prong - 25mm x 13mm (1" x 1/2")	39	SL46320ATT	Radiolucent Concave Lateral with Teeth 23mm x 55mm (1" x 2 1/8")	53
SL46215	Murphy Blunt 4 Prong - 25mm x 13mm (1" x 1/2")	39	SL46320EB	Radiolucent Concave Lateral 23mm x 55mm (1" x 2 1/8") [Anodized Al]	52
SL46216	Murphy Sharp 3 Prong - 19mm x 13mm (3/4" x 1/2")	39	SL46320EBT	Radiolucent Concave Lateral with Teeth 23mm x 55mm (1" x 2 1/8") [AA]	53
SL46217	Murphy Blunt 3 Prong - 19mm x 13mm (3/4" x 1/2")	39	SL46322AT	Radiolucent Concave Lateral 23mm x 60mm (1" x 2 3/8")	52
SL46220	Mini-Open Malleable 25mm x 75mm (1" x 3")	32	SL46322ATT	Radiolucent Concave Lateral with Teeth 23mm x 60mm (1" x 2 3/8")	53
SL46221	Mini-Open Malleable 25mm x 100mm (1" x 4")	32	SL46322EB	Radiolucent Concave Lateral 23mm x 60mm (1" x 2 3/8") [Anodized Al]	52
SL46222	Mini-Open Malleable 25mm x 125mm (1" x 5")	32	SL46322EBT	Radiolucent Concave Lateral with Teeth 23mm x 60mm (1" x 2 3/8") [AA]	53
SL46224	Mini-Open Double Angled 51mm x 127mm (2" x 5")	33	SL46324AT	Radiolucent Concave Lateral 23mm x 65mm (1" x 2 1/2")	52
SL46225	Mini-Open Double Angled 51mm x 152mm (2" x 6")	33	SL46324ATT	Radiolucent Concave Lateral with Teeth 23mm x 65mm (1" x 2 1/2")	53
SL46226	Mini-Open Double Angled 51mm x 165mm (2" x 6 1/2")	33	SL46324EB	Radiolucent Concave Lateral 23mm x 65mm (1" x 2 1/2") [Anodized Al]	52
SL46227	Mini-Open Deep Double Angled 51mm x 127mm (2" x 5")	33	SL46324EBT	Radiolucent Concave Lateral with Teeth 23mm x 65mm (1" x 2 1/2") [AA]	53
SL46258RET	Brau Reverse Lip 25mm x 80mm (1" x 3 1/8")	46	SL46326AT	Radiolucent Concave Lateral 23mm x 70mm (1" x 2 3/4")	52
SL46259RET	Brau Reverse Lip 25mm x 90mm (1" x 3 1/2")	46	SL46326ATT	Radiolucent Concave Lateral with Teeth 23mm x 70mm (1" x 2 3/4")	53
SL46260RET	Brau Reverse Lip 25mm x 100mm (1" x 4")	46	SL46326EB	Radiolucent Concave Lateral 23mm x 70mm (1" x 2 3/4") [Anodized Al]	52
SL46260TET	Brau Reverse Lip Tapered 25mm x 100mm (1" x 4")	47	SL46326EBT	Radiolucent Concave Lateral with Teeth 23mm x 70mm (1" x 2 3/4") [AA]	53
SL46261RET	Brau Reverse Lip 25mm x 110mm (1" x 4 3/8")	46	SL46328AT	Radiolucent Concave Lateral 23mm x 75mm (1" x 3")	52
SL46262RET	Brau Reverse Lip 25mm x 120mm (1" x 4 3/4")	46	SL46328ATT	Radiolucent Concave Lateral with Teeth 23mm x 75mm (1" x 3")	53
SL46263RET	Brau Reverse Lip 25mm x 130mm (1" x 5 1/8")	46	SL46328EB	Radiolucent Concave Lateral 23mm x 75mm (1" x 3") [Anodized Al]	52
SL46264RET	Brau Reverse Lip 25mm x 140mm (1" x 5 1/2")	46	SL46328EBT	Radiolucent Concave Lateral with Teeth 23mm x 75mm (1" x 3") [AA]	53
SL46265RET	Brau Reverse Lip 25mm x 150mm (1" x 5 7/8")	46	SL46330AT	Radiolucent Concave Lateral 23mm x 80mm (1" x 3 1/8")	52
SL46265TET	Brau Reverse Lip Tapered 25mm x 150mm (1" x 5 7/8")	47	SL46330ATT	Radiolucent Concave Lateral with Teeth 23mm x 80mm (1" x 3 1/8")	53
SL46266RET	Brau Reverse Lip 25mm x 160mm (1" x 6 1/4")	46	SL46330EB	Radiolucent Concave Lateral 23mm x 80mm (1" x 3 1/8") [Anodized Al]	52
SL46267RET	Brau Reverse Lip 25mm x 170mm (1" x 6 5/8")	46	SL46330EBT	Radiolucent Concave Lateral with Teeth 23mm x 80mm (1" x 3 1/8") [AA]	53
SL46268RET	Brau Reverse Lip 25mm x 180mm (1" x 7")	46	SL46332AT	Radiolucent Concave Lateral 23mm x 85mm (1" x 3 3/8")	52
SL46269RET	Brau Reverse Lip 25mm x 190mm (1" x 7 1/2")	46	SL46332ATT	Radiolucent Concave Lateral with Teeth 23mm x 85mm (1" x 3 3/8")	53
SL46270RET	Brau Reverse Lip 25mm x 200mm (1" x 7 7/8")	46	SL46334AT	Radiolucent Concave Lateral 23mm x 90mm (1" x 3 1/2")	52

PRODUCT INDEX

PART #	DESCRIPTION	PAGE	PART #	DESCRIPTION	PAGE
SL46334ATT	Radiolucent Concave Lateral with Teeth 23mm x 90mm (1" x 3 1/2").....	53	SL46526EBT	Radiolucent Concave Micro with Teeth 14mm x 75mm (1/2" x 3") [AA].....	56
SL46336AT	Radiolucent Concave Lateral 23mm x 95mm (1" x 3 3/4")	52	SL46528AT	Radiolucent Concave Micro 14mm x 80mm (1/2" x 3 1/8").....	56
SL46336ATT	Radiolucent Concave Lateral with Teeth 23mm x 95mm (1" x 3 3/4").....	53	SL46528ATT	Radiolucent Concave Micro with Teeth 14mm x 80mm (1/2" x 3 1/8")	56
SL46338AT	Radiolucent Concave Lateral 23mm x 100mm (1" x 4")	52	SL46528EB	Radiolucent Concave Micro 14mm x 80mm (1/2" x 3 1/8") [Anodized Al]	56
SL46338ATT	Radiolucent Concave Lateral with Teeth 23mm x 100mm (1" x 4").....	53	SL46528EBT	Radiolucent Concave Micro with Teeth 14mm x 80mm (1/2" x 3 1/8") [AA].....	56
SL46340AT	Radiolucent Concave Lateral 23mm x 105mm (1" x 4 1/8")	52	SL46558	Radiolucent Concave Short Neck Renal 25mm x 80mm (1" x 3 1/8")	49
SL46340ATT	Radiolucent Concave Lateral with Teeth 23mm x 105mm (1" x 4 1/8").....	53	SL46559	Radiolucent Concave Short Neck Renal 25mm x 90mm (1" x 3 1/2")	49
SL46342AT	Radiolucent Concave Lateral 23mm x 110mm (1" x 4 3/8")	52	SL46560	Radiolucent Concave Short Neck Renal 25mm x 100mm (1" x 4")	49
SL46342ATT	Radiolucent Concave Lateral with Teeth 23mm x 110mm (1" x 4 3/8").....	53	SL46561	Radiolucent Concave Short Neck Renal 25mm x 110mm (1" x 4 3/8")	49
SL46344AT	Radiolucent Concave Lateral 23mm x 115mm (1" x 4 1/2")	52	SL46562	Radiolucent Concave Short Neck Renal 25mm x 120mm (1" x 4 3/4")	49
SL46344ATT	Radiolucent Concave Lateral with Teeth 23mm x 115mm (1" x 4 1/2").....	53	SL46563	Radiolucent Concave Short Neck Renal 25mm x 130mm (1" x 5 1/8")	49
SL46346AT	Radiolucent Concave Lateral 23mm x 120mm (1" x 4 3/4")	52	SL46564	Radiolucent Concave Short Neck Renal 25mm x 140mm (1" x 5 1/2")	49
SL46346ATT	Radiolucent Concave Lateral with Teeth 23mm x 120mm (1" x 4 3/4").....	53	SL46565	Radiolucent Concave Short Neck Renal 25mm x 150mm (1" x 5 7/8")	49
SL46410T	Hibbs with Teeth 25mm x 75mm (1" x 3")	71	SL46566	Radiolucent Concave Short Neck Renal 25mm x 160mm (1" x 6 1/4").....	49
SL46411T	Hibbs with Teeth Long 25mm x 75mm (1" x 3")	71	SL46567	Radiolucent Concave Short Neck Renal 25mm x 170mm (1" x 6 3/4")	49
SL46414T	Hibbs with Teeth 25mm x 115mm (1" x 4 1/2")	71	SL46568	Radiolucent Concave Short Neck Renal 25mm x 180mm (1" x 7")	49
SL46418T	Hibbs with Teeth 25mm x 165mm (1" x 6 1/2")	71	SL46569	Radiolucent Concave Short Neck Renal 25mm x 190mm (1" x 7 1/2")	49
SL46420ET	Radiolucent Richardson 50mm x 40mm (2" x 1 1/2").....	34	SL46570	Radiolucent Concave Short Neck Renal 25mm x 200mm (1" x 7 7/8")	49
SL46422ET	Radiolucent Richardson 50mm x 60mm (2" x 2 3/8")	34	SL46571	Radiolucent Concave Short Neck Renal 25mm x 210mm (1" x 8 1/4")	49
SL46424ET	Radiolucent Richardson 50mm x 80mm (2" x 3 1/8")	34	SL46572	Radiolucent Concave Short Neck Renal 25mm x 220mm (1" x 8 5/8")	49
SL46426ET	Radiolucent Richardson 50mm x 100mm (2" x 4").....	34	SL46573	Radiolucent Concave Short Neck Renal 25mm x 230mm (1" x 9")	49
SL46428ET	Radiolucent Richardson 50mm x 120mm (2" x 4 3/4").....	34	SL46574	Radiolucent Concave Short Neck Renal 25mm x 240mm (1" x 9 1/2")	49
SL46430ET	Radiolucent Richardson 50mm x 140mm (2" x 5 1/2").....	34	SL46575	Radiolucent Concave Short Neck Renal 25mm x 250mm (1" x 9 7/8")	49
SL46432ET	Radiolucent Richardson 50mm x 160mm (2" x 6 1/4").....	34	SL46604ATT	PLA Medial/Lateral with Fine Teeth 13 1/2mm x 40mm (1/2" x 1 1/2")	74
SL46434ET	Radiolucent Richardson 50mm x 180mm (2" x 7").....	34	SL46605ATT	PLA Medial/Lateral with Fine Teeth 13 1/2mm x 50mm (1/2" x 2")	74
SL46436ET	Radiolucent Richardson 50mm x 200mm (2" x 7 1/2")	34	SL46606ATT	PLA Medial/Lateral with Fine Teeth 13 1/2mm x 60mm (1/2" x 2 3/8")	74
SL46437ET	Radiolucent Richardson 50mm x 210mm (2" x 8 1/4").....	34	SL46607ATT	PLA Medial/Lateral with Fine Teeth 13 1/2mm x 70mm (1/2" x 2 3/4")	74
SL46438ET	Radiolucent Richardson 50mm x 220mm (2" x 8 5/8").....	34	SL46608ATT	PLA Medial/Lateral with Fine Teeth 13 1/2mm x 80mm (1/2" x 3 1/8")	74
SL46439ET	Radiolucent Richardson 50mm x 230mm (2" x 9").....	34	SL46609ATT	PLA Medial/Lateral with Fine Teeth 13 1/2mm x 90mm (1/2" x 3 1/2")	74
SL46440ET	Radiolucent Richardson 50mm x 240mm (2" x 9 1/2").....	34	SL46610ATT	PLA Medial/Lateral with Fine Teeth 13 1/2mm x 100mm (1/2" x 4")	74
SL46441ET	Radiolucent Richardson 50mm x 250mm (2" x 9 7/8")	34	SL46611ATT	PLA Medial/Lateral with Fine Teeth 13 1/2mm x 110mm (1/2" x 4 3/8")	74
SL46508EB	Radiolucent Concave Micro 14mm x 30mm (1/2" x 1 1/8") [Anodized Al]	56	SL46612ATT	PLA Medial/Lateral with Fine Teeth 13 1/2mm x 120mm (1/2" x 4 3/4")	74
SL46508EBT	Radiolucent Concave Micro with Teeth 14mm x 30mm (1/2" x 1 1/8") [AA].....	56	SL46660	Double Angled 25mm x 76mm (1" x 3").....	41
SL46510AT	Radiolucent Concave Micro 14mm x 35mm (1/2" x 1 3/8")	56	SL46661	Double Angled 25mm x 64mm (1" x 2 1/2").....	41
SL46510ATT	Radiolucent Concave Micro with Teeth 14mm x 35mm (1/2" x 1 3/8")	56	SL46662	Double Angled 13mm x 76mm (1/2" x 3").....	41
SL46510EB	Radiolucent Concave Micro 14mm x 35mm (1/2" x 1 3/8") [Anodized Al]	56	SL46663	Double Angled 13mm x 70mm (1/2" x 2 3/4").....	41
SL46510EBT	Radiolucent Concave Micro with Teeth 14mm x 35mm (1/2" x 1 3/8") [AA].....	56	SL46664	Double Angled Bulb 25mm x 64mm (1" x 2 1/2")	41
SL46512AT	Radiolucent Concave Micro 14mm x 40mm (1/2" x 1 1/2")	56	SL46704AT	PLA Medial/Lateral with Lip 13 1/2mm x 40mm (1/2" x 1 1/2")	74
SL46512ATT	Radiolucent Concave Micro with Teeth 14mm x 40mm (1/2" x 1 1/2").....	56	SL46705AT	PLA Medial/Lateral with Lip 13 1/2mm x 50mm (1/2" x 2")	74
SL46512EB	Radiolucent Concave Micro 14mm x 40mm (1/2" x 1 1/2") [Anodized Al].....	56	SL46706AT	PLA Medial/Lateral with Lip 13 1/2mm x 60mm (1/2" x 2 3/8")	74
SL46512EBT	Radiolucent Concave Micro with Teeth 14mm x 40mm (1/2" x 1 1/2") [AA].....	56	SL46707AT	PLA Medial/Lateral with Lip 13 1/2mm x 70mm (1/2" x 2 3/4")	74
SL46514AT	Radiolucent Concave Micro 14mm x 45mm (1/2" x 1 1/2")	56	SL46708AT	PLA Medial/Lateral with Lip 13 1/2mm x 80mm (1/2" x 3 1/8")	74
SL46514ATT	Radiolucent Concave Micro with Teeth 14mm x 45mm (1/2" x 1 1/2").....	56	SL46709AT	PLA Medial/Lateral with Lip 13 1/2mm x 90mm (1/2" x 3 1/2")	74
SL46514EB	Radiolucent Concave Micro 14mm x 45mm (1/2" x 1 1/2") [Anodized Al].....	56	SL46710AT	PLA Medial/Lateral with Lip 13 1/2mm x 100mm (1/2" x 4")	74
SL46514EBT	Radiolucent Concave Micro with Teeth 14mm x 45mm (1/2" x 1 1/2") [AA].....	56	SL46711AT	PLA Medial/Lateral with Lip 13 1/2mm x 110mm (1/2" x 4 3/8")	74
SL46516AT	Radiolucent Concave Micro 14mm x 50mm (1/2" x 2")	56	SL46712AT	PLA Medial/Lateral with Lip 13 1/2mm x 120mm (1/2" x 4 3/4")	74
SL46516ATT	Radiolucent Concave Micro with Teeth 14mm x 50mm (1/2" x 2").....	56	SL46982AC	Bone Lever 14mm x 40mm (1/2" x 1 1/2").....	76
SL46516EB	Radiolucent Concave Micro 14mm x 50mm (1/2" x 2") [Anodized Al].....	56	SL46983AC	Bone Lever 14mm x 50mm (1/2" x 2").....	76
SL46516EBT	Radiolucent Concave Micro with Teeth 14mm x 50mm (1/2" x 2") [AA].....	56	SL46984AC	Bone Lever 14mm x 60mm (1/2" x 2 3/8").....	76
SL46518AT	Radiolucent Concave Micro 14mm x 55mm (1/2" x 2 1/8")	56	SL46985AC	Bone Lever 14mm x 70mm (1/2" x 2 3/4").....	76
SL46518ATT	Radiolucent Concave Micro with Teeth 14mm x 55mm (1/2" x 2 1/8")	56	SL46986AC	Bone Lever 14mm x 80mm (1/2" x 3 1/8").....	76
SL46518EB	Radiolucent Concave Micro 14mm x 55mm (1/2" x 2 1/8") [Anodized Al]	56	SO45612A	Meyerding 51mm x 60mm (2" x 2 3/8").....	59
SL46518EBT	Radiolucent Concave Micro with Teeth 14mm x 55mm (1/2" x 2 1/8") [AA].....	56	SO45612AET	Radiolucent Meyerding 51mm x 60mm (2" x 2 3/8").....	59
SL46520AT	Radiolucent Concave Micro 14mm x 60mm (1/2" x 2 3/8")	56	SO45612AETT	Radiolucent Meyerding with Teeth 51mm x 60mm (2" x 2 3/8")	59
SL46520ATT	Radiolucent Concave Micro with Teeth 14mm x 60mm (1/2" x 2 3/8").....	56	SO45612AT	Meyerding with Teeth 51mm x 60mm (2" x 2 3/8").....	59
SL46520EB	Radiolucent Concave Micro 14mm x 60mm (1/2" x 2 3/8") [Anodized Al]	56	SO45613A	Meyerding 51mm x 75mm (2" x 3").....	59
SL46520EBT	Radiolucent Concave Micro with Teeth 14mm x 60mm (1/2" x 2 3/8") [AA].....	56	SO45613AT	Meyerding with Teeth 51mm x 75mm (2" x 3")	59
SL46522EB	Radiolucent Concave Micro 14mm x 65mm (1/2" x 2 1/2") [Anodized Al].....	56	SO45615A	Meyerding 51mm x 100mm (2" x 4").....	59
SL46522EBT	Radiolucent Concave Micro with Teeth 14mm x 65mm (1/2" x 2 1/2") [AA].....	56	SO45615AT	Meyerding with Teeth 51mm x 100mm (2" x 4")	59
SL46523AT	Radiolucent Concave Micro 14mm x 65mm (1/2" x 2 1/2")	56	SO45616A	Meyerding 51mm x 125mm (2" x 5").....	59
SL46523ATT	Radiolucent Concave Micro with Teeth 14mm x 65mm (1/2" x 2 1/2").....	56	SO45616AT	Meyerding with Teeth 51mm x 125mm (2" x 5")	59
SL46524AT	Radiolucent Concave Micro 14mm x 70mm (1/2" x 2 3/4")	56	SO45670ATTC	Radiolucent Posterior Lumbar 23mm x 80mm (1" x 3 1/8")	60
SL46524ATT	Radiolucent Concave Micro with Teeth 14mm x 70mm (1/2" x 2 3/4").....	56	SO45671ATTC	Radiolucent Posterior Lumbar 45mm x 80mm (1 3/8" x 3 1/8")	60
SL46524EB	Radiolucent Concave Micro 14mm x 70mm (1/2" x 2 3/4") [Anodized Al].....	56	SO45672ATTC	Radiolucent Posterior Lumbar 60mm x 80mm (2 3/8" x 3 1/8")	60
SL46524EBT	Radiolucent Concave Micro with Teeth 14mm x 70mm (1/2" x 2 3/4") [AA].....	56	SO45673ATTC	Radiolucent Posterior Lumbar 23mm x 100mm (1" x 4")	60
SL46526AT	Radiolucent Concave Micro 14mm x 75mm (1/2" x 3")	56	SO45674ATTC	Radiolucent Posterior Lumbar 45mm x 100mm (1 3/4" x 4")	60
SL46526ATT	Radiolucent Concave Micro with Teeth 14mm x 75mm (1/2" x 3").....	56	SO45675ATTC	Radiolucent Posterior Lumbar 60mm x 100mm (2 3/8" x 4").....	60
SL46526EB	Radiolucent Concave Micro 14mm x 75mm (1/2" x 3") [Anodized Al].....	56	SO45676ATTC	Radiolucent Posterior Lumbar 23mm x 120mm (1" x 4 3/4").....	60

PART #	DESCRIPTION	PAGE
SO45677ATTC	Radiolucent Posterior Lumbar 45mm x 120mm (1 3/4" x 4 3/4").....	60
SO45678ATTC	Radiolucent Posterior Lumbar 60mm x 120mm (2 3/8" x 4 3/4").....	60
SO45679ATTC	Radiolucent Posterior Lumbar 23mm x 150mm (1" x 5 7/8").....	60
SO45680ATTC	Radiolucent Posterior Lumbar 45mm x 150mm (1 3/4" x 5 7/8").....	60
SO45681ATTC	Radiolucent Posterior Lumbar 60mm x 150mm (2 3/8" x 5 7/8").....	60
SO45682ATTC	Radiolucent Posterior Lumbar 23mm x 180mm (1" x 7").....	60
SO45683ATTC	Radiolucent Posterior Lumbar 45mm x 180mm (1 3/4" x 7").....	60
SO45684ATTC	Radiolucent Posterior Lumbar 60mm x 180mm (2 3/8" x 7").....	60
SO46103	Saldanha Arched 76mm x 140mm (3" x 5 1/2").....	77
SO46113	Malleable 76mm x 165mm (3" x 6 1/2").....	31
SO46124A	Malleable 76mm x 254mm (3" x 10").....	30
SO46124AET	Radiolucent Malleable 76mm x 254mm (3" x 10").....	31
SO46124AV	Malleable Slotted 76mm x 203mm (3" x 8").....	32
SO46124B	Malleable 102mm x 254mm (4" x 10").....	30
SO46124BET	Radiolucent Malleable 102mm x 254mm (4" x 10").....	31
SO42124C	Aortic Aneurysm Large 457mm x 229mm (18" x 9").....	40
SO46124D	Aortic Aneurysm Small 305mm x 216mm (12" x 8 1/2").....	40
SO46129	Kelly 64mm x 76mm (2 1/2" x 3").....	28
SO46129ET	Radiolucent Kelly 64mm x 76mm (2 1/2" x 3").....	28
SO46130	Kelly 76mm x 89mm (3" x 3 1/2").....	28
SO46130ET	Radiolucent Kelly 76mm x 89mm (3" x 3 1/2").....	28
SO46134	Fence 102mm x 102mm (4" x 4").....	29
SO46134ET	Radiolucent Fence 102mm x 102mm (4" x 4").....	29
SO46135	Fence 102mm x 127mm (4" x 5").....	29
SO46135ET	Radiolucent Fence 102mm x 127mm (4" x 5").....	29
SO46136	Fence 102mm x 152mm (4" x 6").....	29
SO46136A	Fence 102mm x 203mm (4" x 8").....	29
SO46136AET	Radiolucent Fence 102mm x 203mm (4" x 8").....	29
SO46136ET	Radiolucent Fence 102mm x 152mm (4" x 6").....	29
SO46140	Balfour [with lips] 70mm x 73mm (2 3/4" x 3").....	25
SO46140C	Balfour [small lips] 70mm x 73mm (2 3/4" x 3").....	25
SO46140CEB	Radiolucent Balfour [small lips] 65mm x 72mm (2 1/2" x 2 3/4") [Anodized].....	25
SO46140CET	Radiolucent Balfour [small lips] 65mm x 72mm (2 1/2" x 2 3/4").....	25
SO46140EB	Radiolucent Balfour [with lips] 65mm x 72mm (2 1/2" x 2 3/4") [Anodized].....	25
SO46140ET	Radiolucent Balfour [with lips] 65mm x 72mm (2 1/2" x 2 3/4").....	25
SO46141	Balfour [with lips] 83mm x 73mm (3 1/4" x 3").....	25
SO46141C	Balfour [small lips] 83mm x 73mm (3 1/4" x 3").....	25
SO46141CEB	Radiolucent Balfour [small lips] 83mm x 70mm (3 1/4" x 2 3/4") [Anodized].....	25
SO46141CET	Radiolucent Balfour [small lips] 83mm x 70mm (3 1/4" x 2 3/4").....	25
SO46141D	Balfour [with lips] 83mm x 123mm (3 1/4" x 5").....	25
SO46141DEB	Radiolucent Balfour [with lips] 83mm x 127mm (3 1/4" x 5") [Anodized].....	25
SO46141DET	Radiolucent Balfour [with lips] 83mm x 127mm (3 1/4" x 5").....	25
SO46141EB	Radiolucent Balfour [with lips] 83mm x 70mm (3 1/4" x 2 3/4") [Anodized].....	25
SO46141ET	Radiolucent Balfour [with lips] 83mm x 70mm (3 1/4" x 2 3/4").....	25
SO46141F	Balfour [with lips] 83mm x 175mm (3 1/4" x 6 7/8").....	25
SO46151	Richardson 51mm x 127mm (2" x 5").....	34
SO46151ET	Radiolucent Richardson 51mm x 127mm (2" x 5").....	34
SO46152	Richardson 51mm x 152mm (2" x 6").....	34
SO46152ET	Radiolucent Richardson 51mm x 152mm (2" x 6").....	34
SO46153	Richardson 51mm x 178mm (2" x 7").....	34
SO46153ET	Radiolucent Richardson 51mm x 178mm (2" x 7").....	34
SO46155	Mini-Open Richardson 51mm x 76mm (2" x 3").....	33
SO46156	Mini-Open Richardson 51mm x 102mm (2" x 4").....	33
SO46157	Mini-Open Richardson 51mm x 127mm (2" x 5").....	33
SO46158	Mini-Open Richardson 51mm x 152mm (2" x 6").....	33
SO46160ET	Radiolucent Harrington 64mm x 152mm (2 1/2" x 6").....	27
SO46168B	Non-Slip Balfour with Holes L 77mm x 66mm (3" x 2 1/2").....	26
SO46168C	Non-Slip Balfour with Holes L 77mm x 94mm (3" x 3 3/4").....	26
SO46169B	Non-Slip Balfour with Holes R 77mm x 66mm (3" x 2 1/2").....	26
SO46169C	Non-Slip Balfour with Holes R 77mm x 94mm (3" x 3 3/4").....	26
SO46170B	Non-Slip Balfour R 77mm x 66mm (3" x 2 1/2").....	26
SO46170BEB	Radiolucent Non-Slip Balfour R 77mm x 66mm (3" x 2 1/2").....	26
SO46170C	Non-Slip Balfour R 77mm x 94mm (3" x 3 3/4").....	26
SO46170CEB	Radiolucent Non-Slip Balfour R 77mm x 94mm (3" x 3 3/4").....	26
SO46171B	Non-Slip Balfour L 77mm x 66mm (3" x 2 1/2").....	26
SO46171BEB	Radiolucent Non-Slip Balfour L 77mm x 66mm (3" x 2 1/2").....	26
SO46171C	Non-Slip Balfour L 77mm x 94mm (3" x 3 3/4").....	26
SO46171CEB	Radiolucent Non-Slip Balfour L 77mm x 94mm (3" x 3 3/4").....	26

PART #	DESCRIPTION	PAGE
SO46175	Deaver 64mm x 127mm (2 1/2" x 5").....	36
SO46175ET	Radiolucent Deaver 64mm x 127mm (2 1/2" x 5").....	36
SO46176	Deaver 76mm x 127mm (3" x 5").....	36
SO46176ET	Radiolucent Deaver 76mm x 127mm (3" x 5").....	36
SO46178	Deaver 102mm x 127mm (4" x 5").....	36
SO46178ET	Radiolucent Deaver 100mm x 127mm (4" x 5").....	36
SO46187A	St Marks [no lip] 64mm x 178mm (2 1/2" x 7").....	35
SO46188	St Marks [with lip] 64mm x 178mm (2 1/2" x 7").....	35
SO46188ET	Radiolucent St Marks [with lip] 64mm x 178mm (2 1/2" x 7").....	35
SO46189	St Marks [with lip] 64mm x 140mm (2 1/2" x 5 1/2").....	35
SO46189ET	Radiolucent St Marks [with lip] 64mm x 140mm (2 1/2" x 5 1/2").....	35
SO46203	Malleable Slotted 76mm x 165mm (3" x 6 1/2").....	32
SO46241A	Wide Balfour [no lips] 83mm x 57mm (3 1/4" x 2 1/4").....	26
SO46241AEB	Radiolucent Wide Balfour [no lips] 83mm x 57mm (3 1/4" x 2 1/4") [Anodized].....	26
SO46241B	Wide Balfour [no lips] 100mm x 61mm (4" x 2 3/8").....	26
SO46241BEB	Radiolucent Wide Balfour [no lips] 102mm x 57mm (4" x 2 1/4") [Anodized].....	26
SO46241C	Wide Balfour [no lips] 114mm x 63mm (4 1/2" x 2 1/2").....	26
SO46241CEB	Radiolucent Wide Balfour [no lips] 114mm x 57mm (4 1/2" x 2 1/4") [Anodized].....	26
SO46400	Tummy Tuck 76mm x 140mm (3" x 5 1/2").....	77
SO46401	Tummy Tuck 102mm x 140mm (4" x 5 1/2").....	77
SO46402	Cat's Paw 6mm x 38mm (1/4" x 1 1/2").....	77
SO48001	Towel Clip Hook 45mm x 64mm (1 3/4" x 2 1/2").....	77

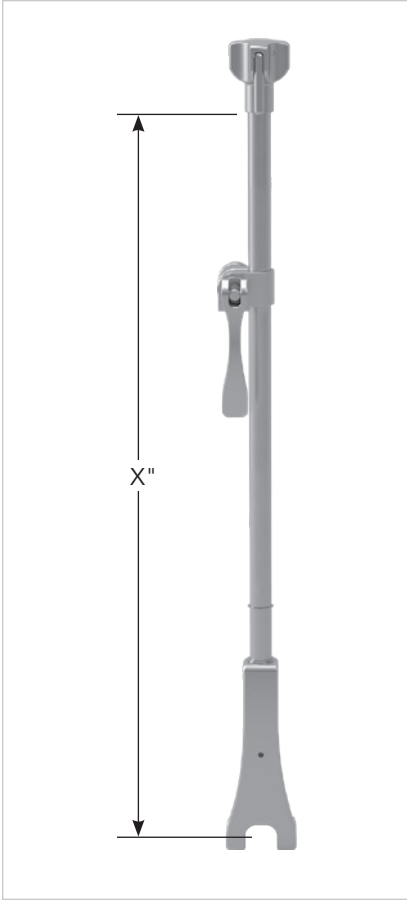
CURRENT SYSTEMS REFERENCE:

80057	CCA Retractor Expansion Kit
90025	Femur Elevator
91072CV	Bolling Retractor System
RT82034	RingTrack® General / Vascular / Trauma System (Fixed)
SL80043A	Accessory Blade Kit (for Body Contouring System)
SL82001	Bariatric System
SL82002	Colon / Rectal System
SL82003	General / Vascular System
SL82004	HIPEC System
SL82005	Kidney System
SL82006	Pediatric System
SL82007	Liver / Oncology System
SL82008	Radiolucent Liver / Oncology System
SL82010	GYN System
SL82011	GYN Oncology System
SL82012	Urology System
SL82013	Urologic Oncology System
SL82016	Body Contouring System
SL82018	CCA Retractor System
SL82019	Anterior Lumbar System
SL82020	Posterior Lumbar System
SL82021	MIS PLA® System
SL82022	Bilateral Expansion Kit (for Body Contouring System)
SL82023	Anterior Lumbar Ring System
SL82025	Cervical System
SL82026	AL Advanced MIS Blade Kit
SL82033	Hip System
SL82034	S-Lock RingTrack® General / Vascular / Trauma System
SL82036	Trauma System
SL82037	Small Incision System
SL82041	Breast System
SL82042	OneFrame® General / Vascular System
SL90060	Muscle Retractor Add-on Kit



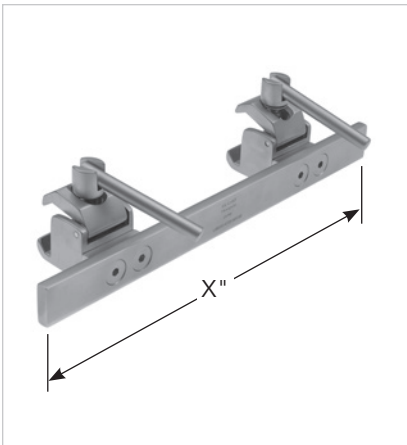
SERVICE AND WARRANTY:

Visit thompsonsurgical.com/service-warranty or call 1-800-227-7543 for complete Service and Warranty information.



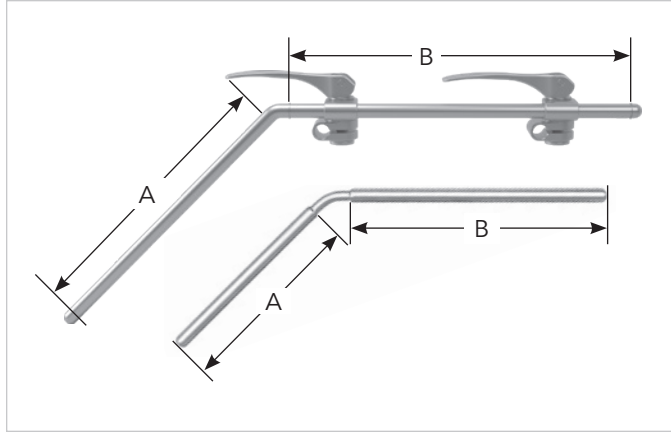
ELITE RAIL CLAMPS

Measured from bottom of the bed rail to the highest point joint can reach. (NOTE: Elite III is measured with jaw in the FULLY closed position.)



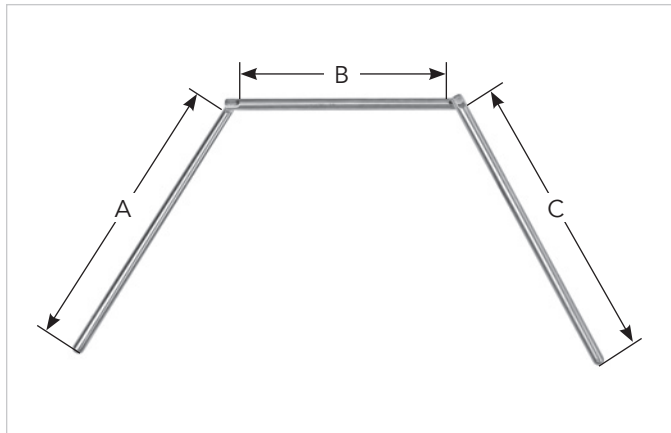
RAIL EXTENDERS

Length of rail space provided, from end to end.



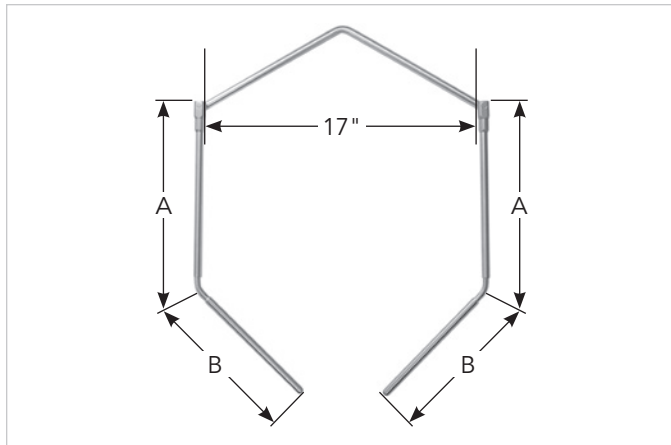
UNILATERAL CROSSBARS + ANGLED ARMS

Total length equals the sum of both sides. (A + B)



BILATERAL CROSSBARS

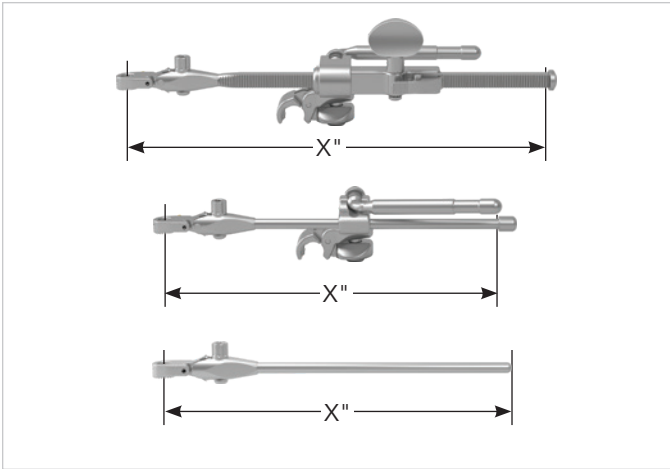
Length of usable rod on each section (A x B x C).



LOWER ABDOMINAL BARS

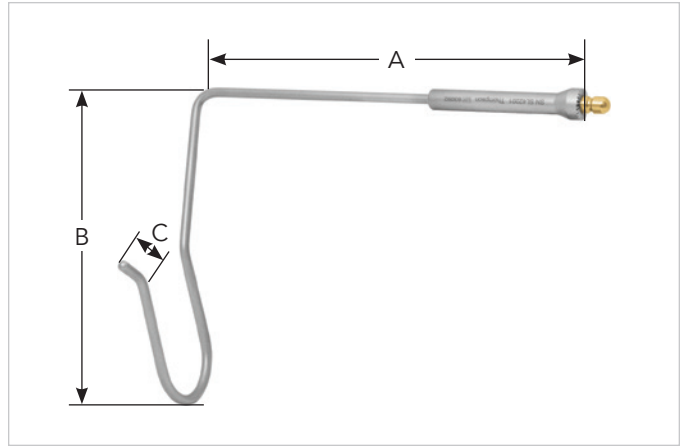
All measure 17" across, between joints. Lateral arm sections are measured separately.

Metric	Approx. English
6mm	¼"
10mm	⅜"
13mm	½"
23mm	⅞"
25mm	1"
30mm	1 ⅛"
32mm	1 ¼"
35mm	1 ⅜"
40mm	1 ½"
45mm	1 ¾"
50mm	2"
55mm	2 ⅛"
60mm	2 ⅜"
65mm	2 ½"
70mm	2 ¾"
75mm	3"
80mm	3 ⅛"
85mm	3 ⅜"
90mm	3 ½"
95mm	3 ¾"
100mm	4"
110mm	4 ⅜"
120mm	4 ¾"
130mm	5 ⅛"
140mm	5 ½"
150mm	5 ⅞"
160mm	6 ¼"
170mm	6 ⅝"
180mm	7"
190mm	7 ½"
200mm	7 ⅞"
210mm	8 ¼"
220mm	8 ⅝"
230mm	9"
240mm	9 ½"
250mm	9 ⅞"
260mm	10 ¼"
270mm	10 ⅝"
280mm	11"
290mm	11 ⅜"
300mm	11 ¾"



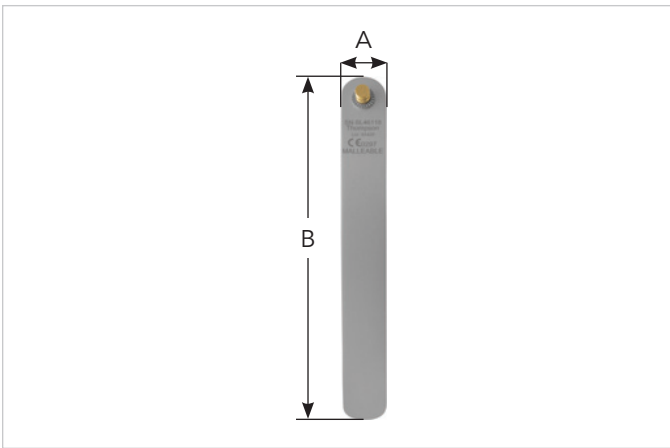
HANDLES

Center of nipple hole to end of handle, not including end cap.



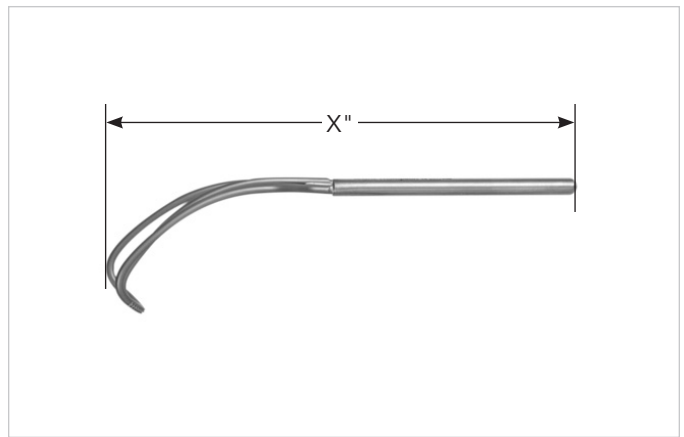
NATHANSON HOOKS

Handle length, not including nipple for SL versions (A) x hook height (B) x tip length (C).



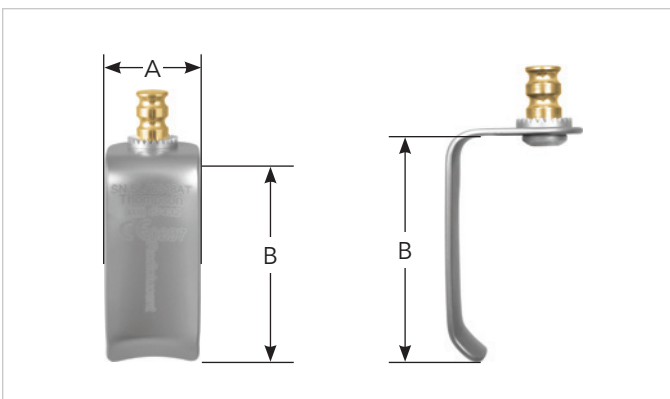
MALLEABLE BLADES

Width (A) x total length of blade before bending (B).



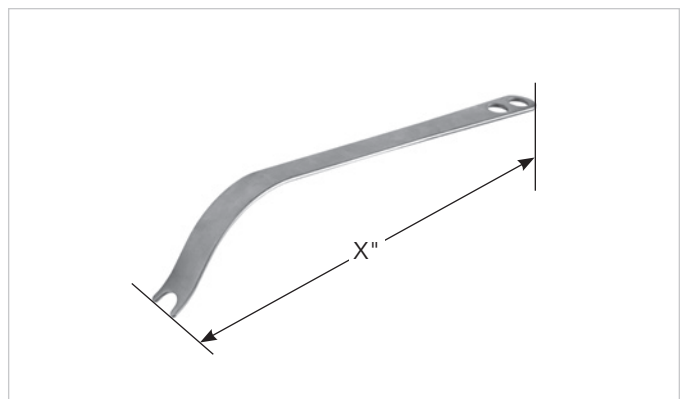
BOLLING RETRACTOR BLADES

Total handle length including retractor blade.



BLADES (NON-MALLEABLE)

Width (A) x height (B) from underside of blade at top of bend to distal tip.



HIP BLADES

Length from end to end, not including bend.

For a Free Trial Call Today*

1.800.227.7543

Rev F
081921
mg prodcad



Uncompromised Exposure

VISIT US ONLINE: THOMPSONSURGICAL.COM

CONTACT

Address

Thompson Surgical Instruments, Inc.
10341 E Cherry Bend Rd.
Traverse City, MI 49684
USA

Phone + Fax

Toll Free 1-800-227-7543
Phone 231-922-0177
Fax 231-922-0174

Online

Email contact@thompsonsurgical.com
Website www.thompsonsurgical.com


Social



Thompson 
SURGICAL INSTRUMENTS

* Free trial valid for U.S. customers only. Customers outside the U.S.A., please call +1-231-922-0177 for availability.

© 2021 Thompson Surgical Instruments, Inc. Printed in U.S.A.

© S-Lock®, PLA®, and the "T Circle" logomark  are Registered Trademarks of Thompson Surgical Instruments, Inc.
Patents: trpat.com

The MIS Retractor Lite LED (#40002MIS), Mini Retractor Lite LED (#40002MRL), and LED Light Source (#LLS-2000-2) are manufactured by Sunoptic Technologies® and distributed by Thompson Surgical Instruments.

Note: As we continually strive to provide the best products possible, some of the images in this document may appear slightly different from the product received.

**Made In
USA**