

Lower Abdominal Bar

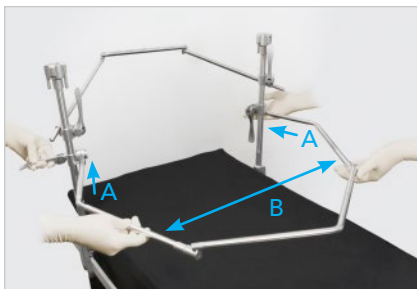
Improved Lower Abdominal Exposure

The Lower Abdominal Bar helps improve lower abdominal exposure while maintaining ease of use and the ability to independently position the lateral arms. The unique single-piece design is easy to set up and reduces instrument counts, while adding additional space and support for lower abdominal retractors. The independently positionable lateral arms allow for multiple positions to meet different procedures and patient needs.



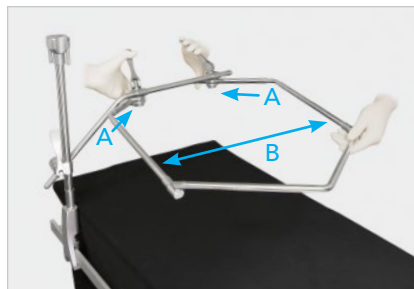
*Simply add each end to your preferred frame set up in place of the angled arms to create more space and stability for lower abdominal exposure. **

* Set up requires the use of an assistant



Bilateral Set Up Instructions

Using an assistant, insert both ends of the Lower Abdominal Bar into the rail clamp's lower joint on each side of the patient (A). Position the Lower Abdominal Bar around the incision, keeping the lateral sides low and wide (B). Secure the Lower Abdominal Bar by locking the joints (C).



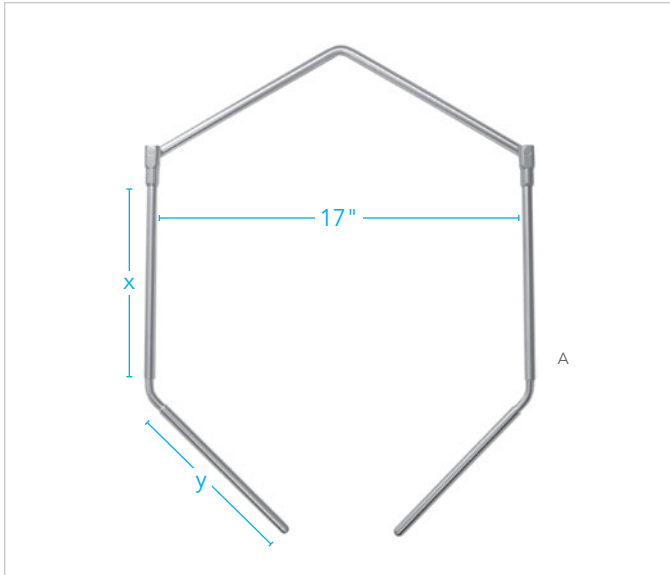
Unilateral Set Up Instructions

Using an assistant, insert both ends of the Lower Abdominal Bar into the crossbar joints on each side of the patient (A). Position the Lower Abdominal Bar around the incision, keeping the lateral sides low and wide (B). Secure the Lower Abdominal Bar by locking the joints (C).



Securing to Frame (Bilateral and Unilateral)

Secure the Lower Abdominal Bar in position by flipping the joints on the rail clamp or crossbar to lock in place.



LOWER ABDOMINAL BARS (SINGLE PIECE)

REF	ITEM DESCRIPTION	PART #
A	Lower Abdominal Bar 14" [x] x 6" [y]	44112SP
	Lower Abdominal Bar 10" [x] x 8" [y]	44111SP
	Lower Abdominal Bar 10" [x] x 6" [y]	44110SP



NOTICE:

Three-piece Lower Abdominal Bar components are also available, call for information.

Thompson
 SURGICAL INSTRUMENTS
 10341 East Cherry Bend Road
 Traverse City, Michigan 49684
 phone: 231.922.0177
 fax: 231.922.0174
thompsonsurgical.com

EC REP

Emergo Europe
 Prinsessegracht 20
 2514 AP The Hague
 THE NETHERLANDS

CE 0297

For a Free Trial Call **1-800-227-7543** *

* Free trial valid for U.S. customers only. Customers outside the U.S.A., please call +1-231-922-0177 for availability.

© 2019 Thompson Surgical Instruments, Inc. Traverse City, Michigan.

© S-Lock®, PLA®, and the Thompson "T Circle" logomark are Registered Trademarks of Thompson Surgical Instruments, Inc.
 Patents: US4971038, US5025780, US5888197, US5897087, US5902233, US5984865, US6033363, US6416465, US6511423, US7338442, US7749163, US8257255, US8360971, US8617064, US9872675. Other patents pending.

Rev D
 041819
 labssum

Made In USA