



**Thompson Hip Retractor User Manual:**  
SET UP INSTRUCTIONS FOR THOMPSON HIP RETRACTORS

## Hip Retractor Frame Set Up



**CAUTION:** Avoid compressing the patient's body with frame components to prevent nerve damage.

**NON STERILE** The Thompson Retractor is provided in a non-sterile condition. Refer to Thompson Retractor IFU for cleaning, sterilization, and care instructions.

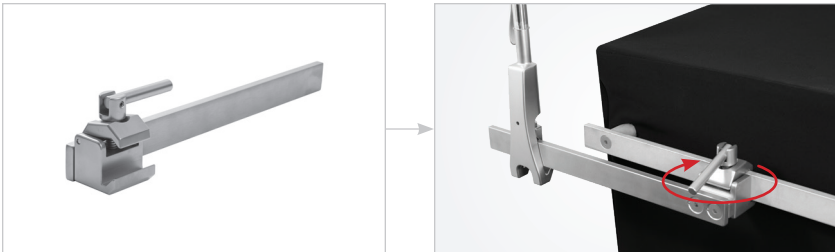
Reference the Thompson Retractor IFU for additional warnings and cautions.

For other Thompson Retractor Systems, reference corresponding User Manual for each.

### IF USING A HANA® TABLE OR LEG POSITIONING SYSTEM: RAIL EXTENDER

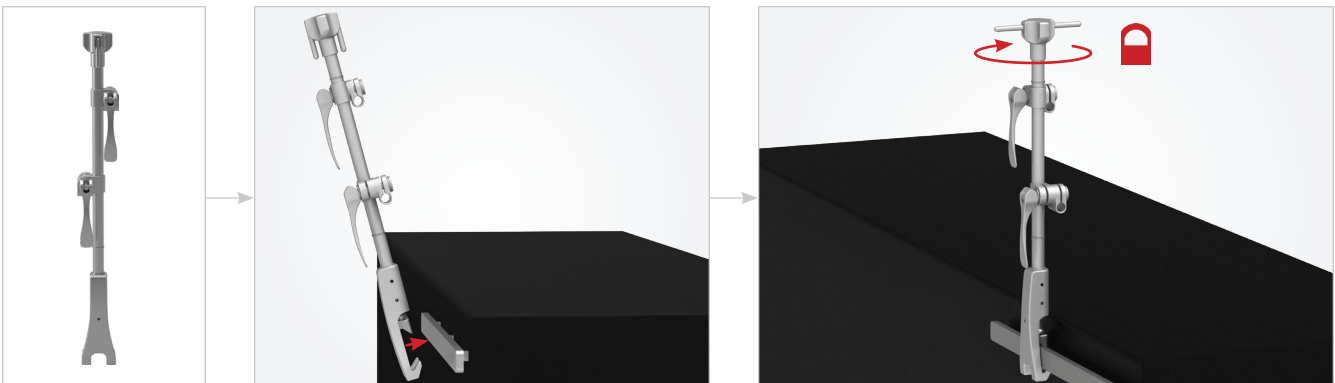
Place Rail Extender onto the rail over the sterile drape and turn knob clockwise to tighten. Once secured, a Thompson rail clamp may be added.

**NOTE:** Rail Extender is for attachment of Thompson Retractors only. **DO NOT** use with other retractors as it may not be compatible.



### STEP 1: RAIL CLAMP

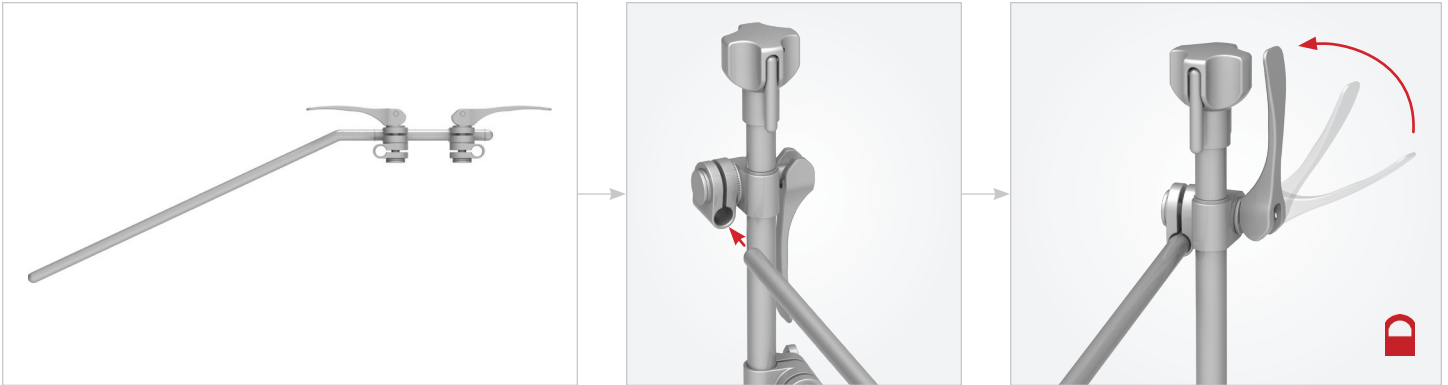
Place Elite Rail Clamp onto the rail over the sterile drape and turn top knob clockwise to tighten.



## Hip Retractor Frame Set Up ( Continued )

### STEP 2: CROSSBAR

Insert the crossbar in the rail clamp joint and position as needed. Lock the crossbar into the joint by flipping the cam handle.



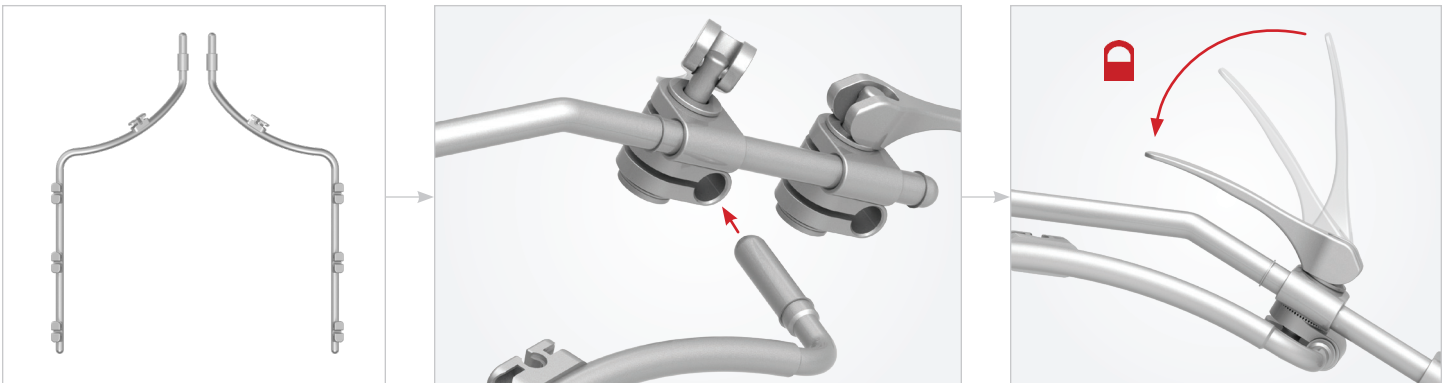
### STEP 3: CURVED ARMS

Insert the first curved arm in the joint on the crossbar and flip the cam handle to lock. Position the second curved arm in the second joint on the crossbar and flip the cam handle to lock.

**TIP:** When locking the cam handle, grasp the crossbar if more leverage is needed.

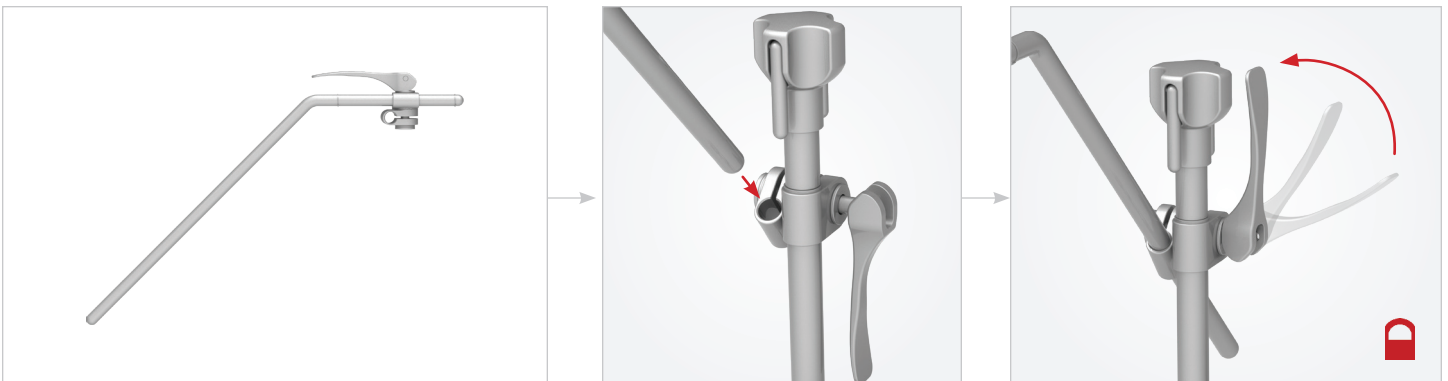
**TIP:** Keep the lateral curved arm as low as possible so that it does not interfere with working space.

**TIP:** The curved arms will create a "half moon" shape when they are in the correct orientation.



### OPTIONAL UPRIGHT ARM (HIP)

If additional reach is needed, such as with obese patients, the upright arm may be attached to the Elite Rail Clamp prior to attaching the crossbar. Insert Upright Arm in the rail clamp joint and position as needed. Flip the rail clamp joint handle to lock. Attach crossbar to upright arm joint.

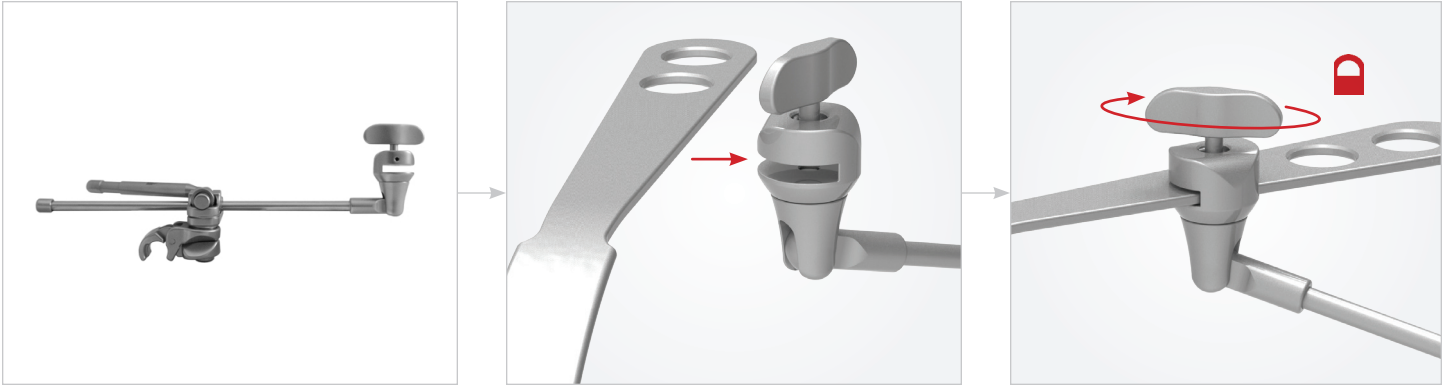


## Retractor Handles

### CLIP-ON BLADE ADAPTER HANDLE

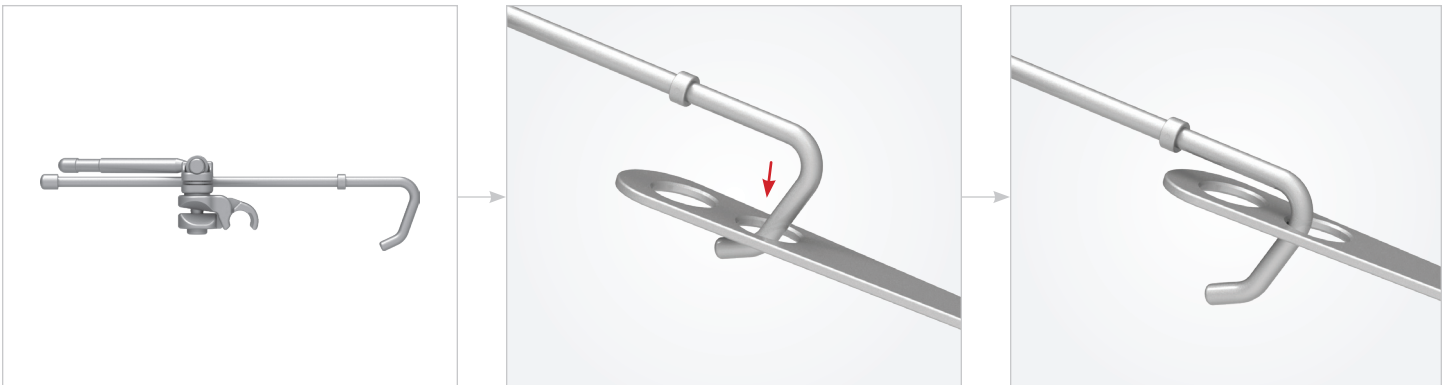
Attach blade to handle by inserting the flat portion of the blade into slot on distal end of handle. **Ensure blade is fully engaged by handle slot to ensure proper connection.** Handle may be placed anywhere along **flat** proximal end of retractor. **Do not attach handle to holes.** Tighten by turning handle knob clockwise.

**TIP:** For faster attachment, have an assistant attach all of the retractor handles to your preferred blades before beginning surgery.



### ORTHOPEDIC HOOK HANDLE

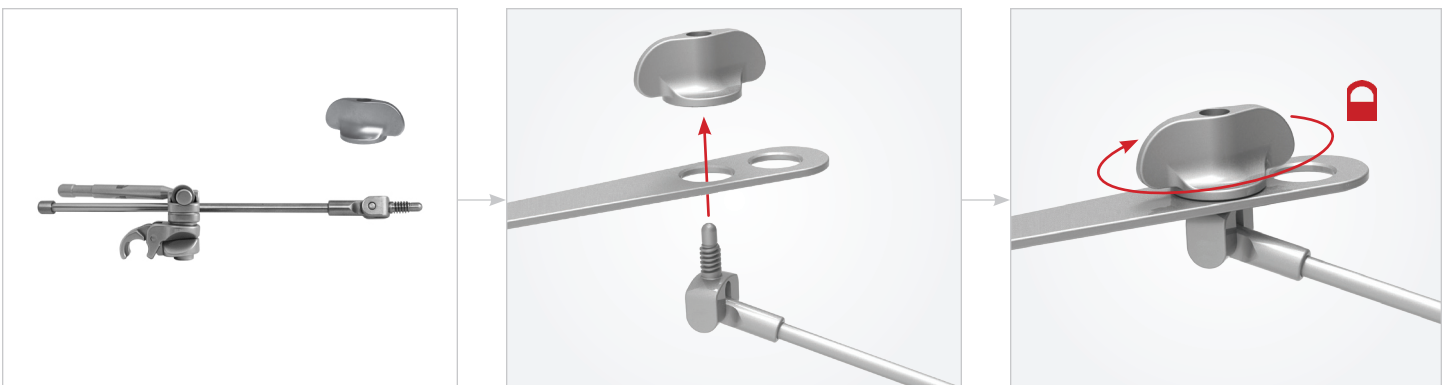
With retractor blade in place, insert hook into the retractor blade hole and attach to frame.



### ORTHOPEDIC HANDLE + KNOB

Attach retractor blade to the Orthopedic Handle by placing the handle screw into the retractor blade hole. Add knob and turn clockwise to secure the blade in position. (This step may be done before or after attaching retractor handles to the frame.)

**TIP:** For faster attachment, have an assistant attach all of the retractor handles to your preferred blades before beginning surgery.

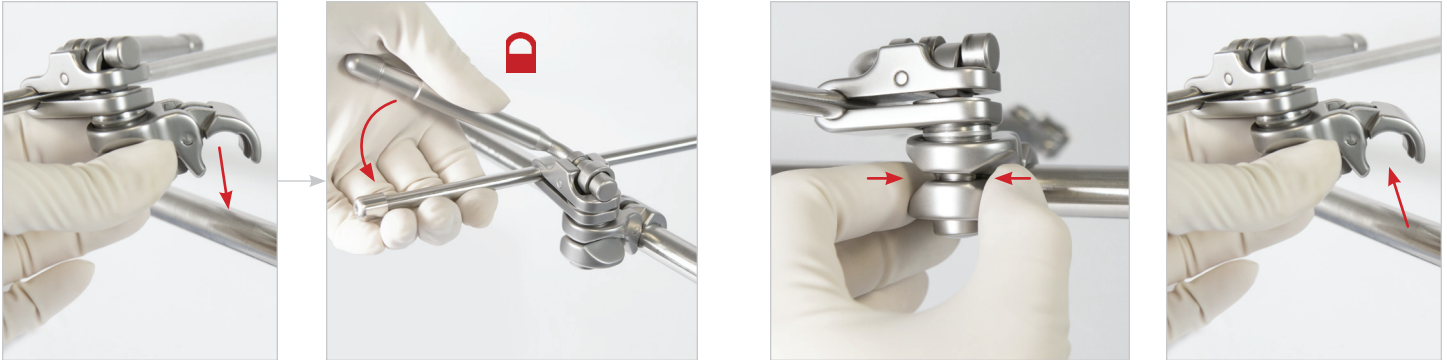


## Retractor Handles ( Continued )

### CLIP-ON HANDLE ATTACHMENT

With joint in unlocked position, clip to frame in desired location, position blade in the incision, and flip the cam joint handle to lock in place.

**To Remove:** Flip cam joint handle to unlocked position, pinch back of cam joint with thumb and index finger, and gently lift up off of arm.



## Tethers + Clip-On Cleats

### TETHERS

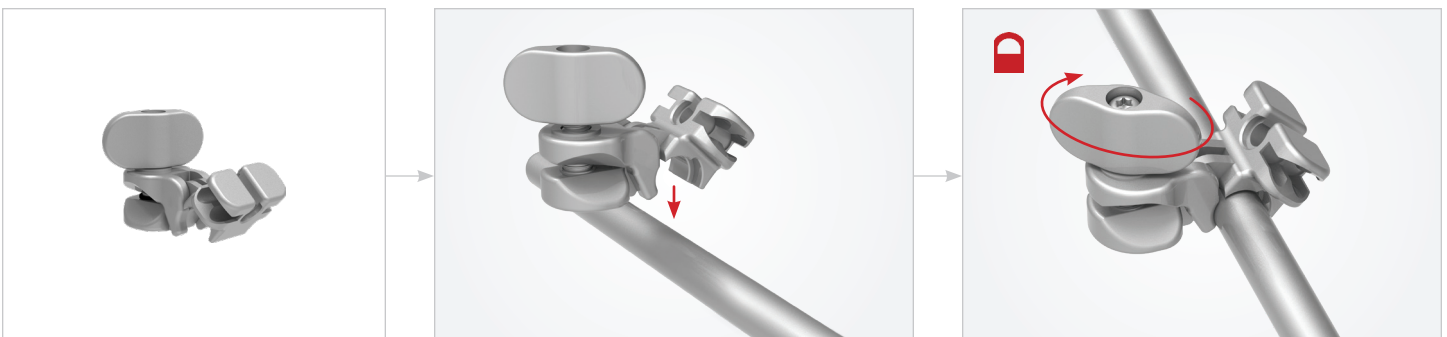
Position retractor blade to attain desired retraction. While holding retraction in place with one hand, use the other hand to wrap tether around blade and secure to curved arm by applying tether to cleat(s) as needed.



### CLIP-ON CLEAT

Clip-on cleat may be applied to curved arms (smooth or with cleats) to provide additional attachment area for tethers where needed. Ensure joint is open by turning the knob counter-clockwise. With joint fully unlocked, clip the clip-on cleat anywhere along the smooth surface of the curved arm. Secure in place by turning knob clockwise to tighten.

**To Remove:** Turn knob counter-clockwise to loosen, pinch back of joint with thumb and index finger, and gently lift up off of arm.



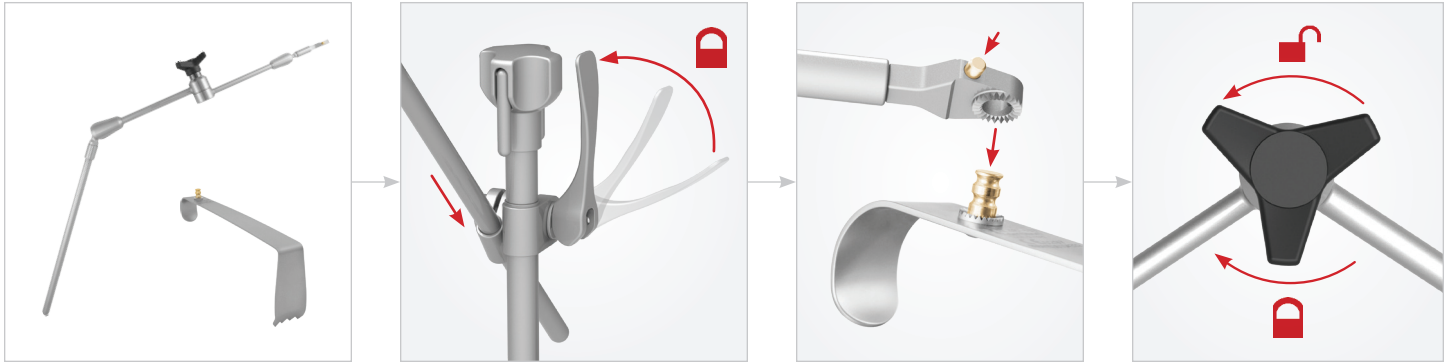
## Hip Add-On: S-Lock Articulating Arm + Long Hibbs Blade

### S-LOCK ARTICULATING ARM + LONG HIBBS BLADE: INITIAL ACCESS + CLOSING

Position S-Lock Articulating Arm in rail clamp's second joint. Lock the arm into the joint by flipping the cam handle.

Attach long Hibbs blade to articulating arm by pushing the gold plunger, inserting blade nipple, and releasing plunger. Hibbs blade may be used in the swivel or locked position. Press plunger to easily switch between swivel and locked.

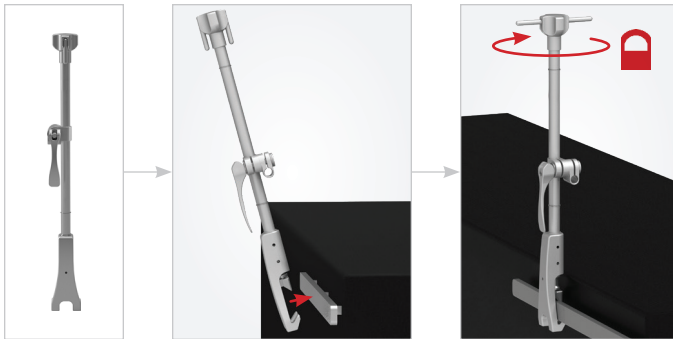
Release the tension of the arm by turning the black knob counter-clockwise to loosen. Position as desired and lock into place by turning the black knob clockwise to tighten.



## Hip Add-On: Femur Elevator System

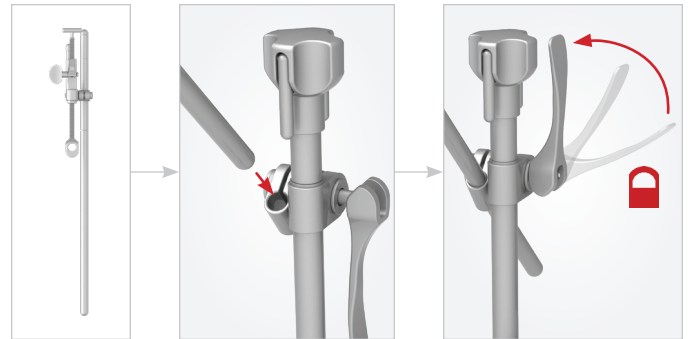
### RAIL CLAMP

Place Elite Rail Clamp onto the rail over the sterile drape and turn top knob clockwise to tighten.



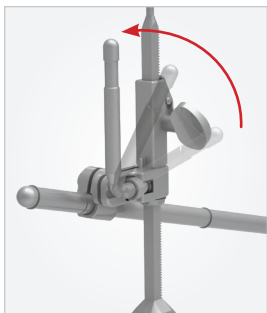
### STRAIGHT ARM

Insert the straight arm into the joint on the Elite Rail Clamp, position, and flip the cam joint handle to lock.



### ELEVATOR HANDLE

Position Elevator Handle and lock in place by closing the joint.



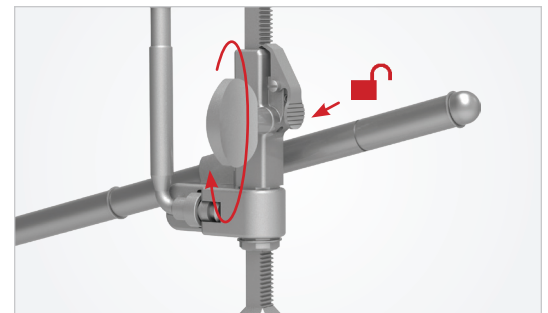
### HOOK

Use the T-handle at proximal end of the femur hook to position hook in place. Insert ball into elevator arm handle to hold in place.



### RETRACT

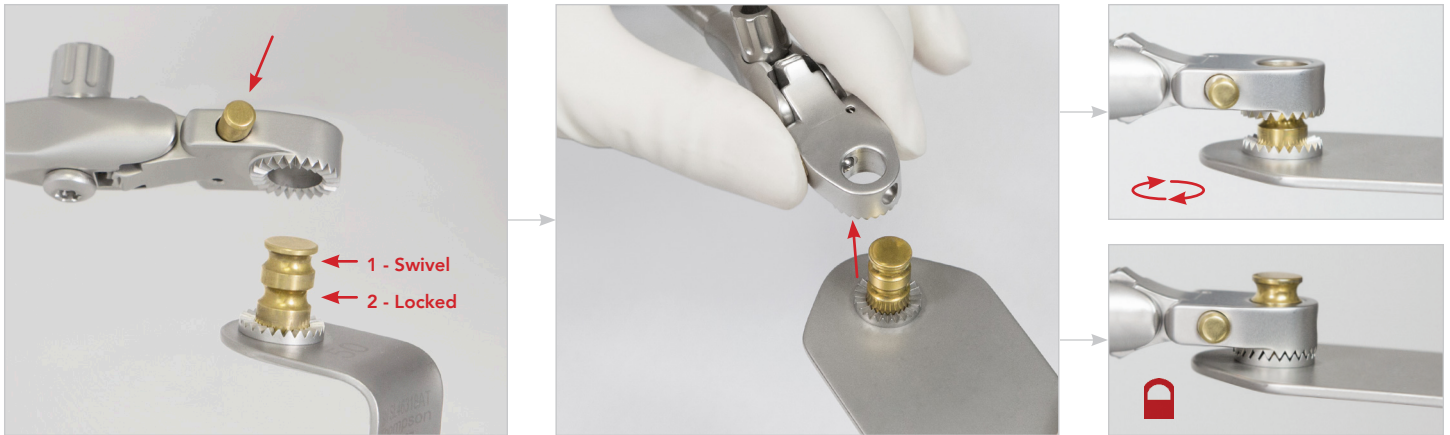
If additional retraction is necessary, utilize the micro-adjustable handle by turning the knob to retract further. Press pawl to release.



## Hip Add-On: Muscle Retractor

### S-LOCK® HANDLES + BLADES

Attach blade to handle by pushing plunger and inserting blade nipple. Push plunger to release blade and switch between 'swivel' and 'locked' positions.



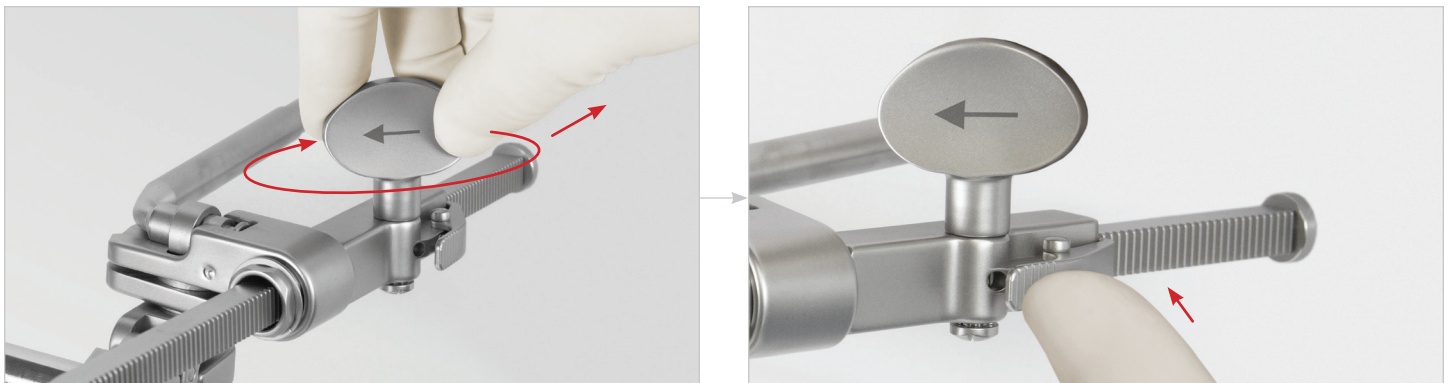
### QUICK ANGLE HANDLES

Blades may be angled 45° up or down by hand or with T-Handle.



### MICRO-ADJUSTABLE HANDLES

Retract blades further by turning the Micro-Adjustable Handle knob clockwise. Release tension by pressing the pawl.



For a Free Trial Call Today\*

**1.800.227.7543**

Rev D  
120924  
dc tjum



Uncompromised Exposure

VISIT US ONLINE: [THOMPSONRETRACTOR.COM](http://THOMPSONRETRACTOR.COM)

 **Thompson**  
SURGICAL INSTRUMENTS  
10341 East Cherry Bend Road  
Traverse City, Michigan 49684  
phone: 231.922.0177  
fax: 231.922.0174  
[ThompsonRetractor.com](http://ThompsonRetractor.com)

EC REP **Emergo Europe**  
Westervoortsedijk 60  
6927 AT Arnhem  
THE NETHERLANDS

\* Free trial valid for U.S. customers only. Customers outside U.S. please call +1-231-922-0177 for availability.

© 2024 Thompson Surgical Instruments, Inc. Printed in the U.S.A.

® S-Lock® and the "T Circle" logomark are Registered Trademarks of Thompson Surgical Instruments, Inc.  
Patents: [trpat.com](http://trpat.com)

Note: As we continually strive to provide the best products possible, some of the images in this document may appear slightly different from the product received.

CE 0297

Made In  
**USA**