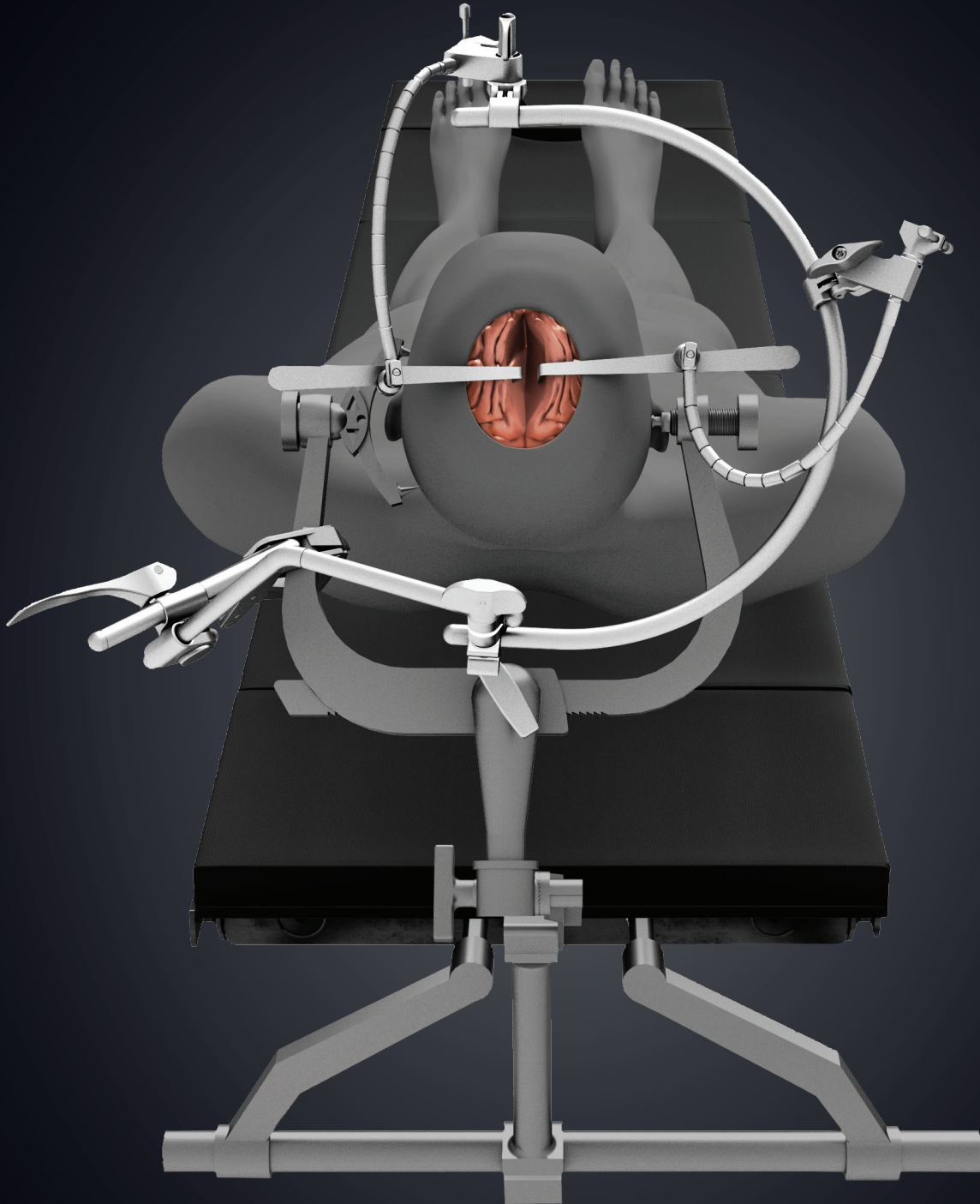


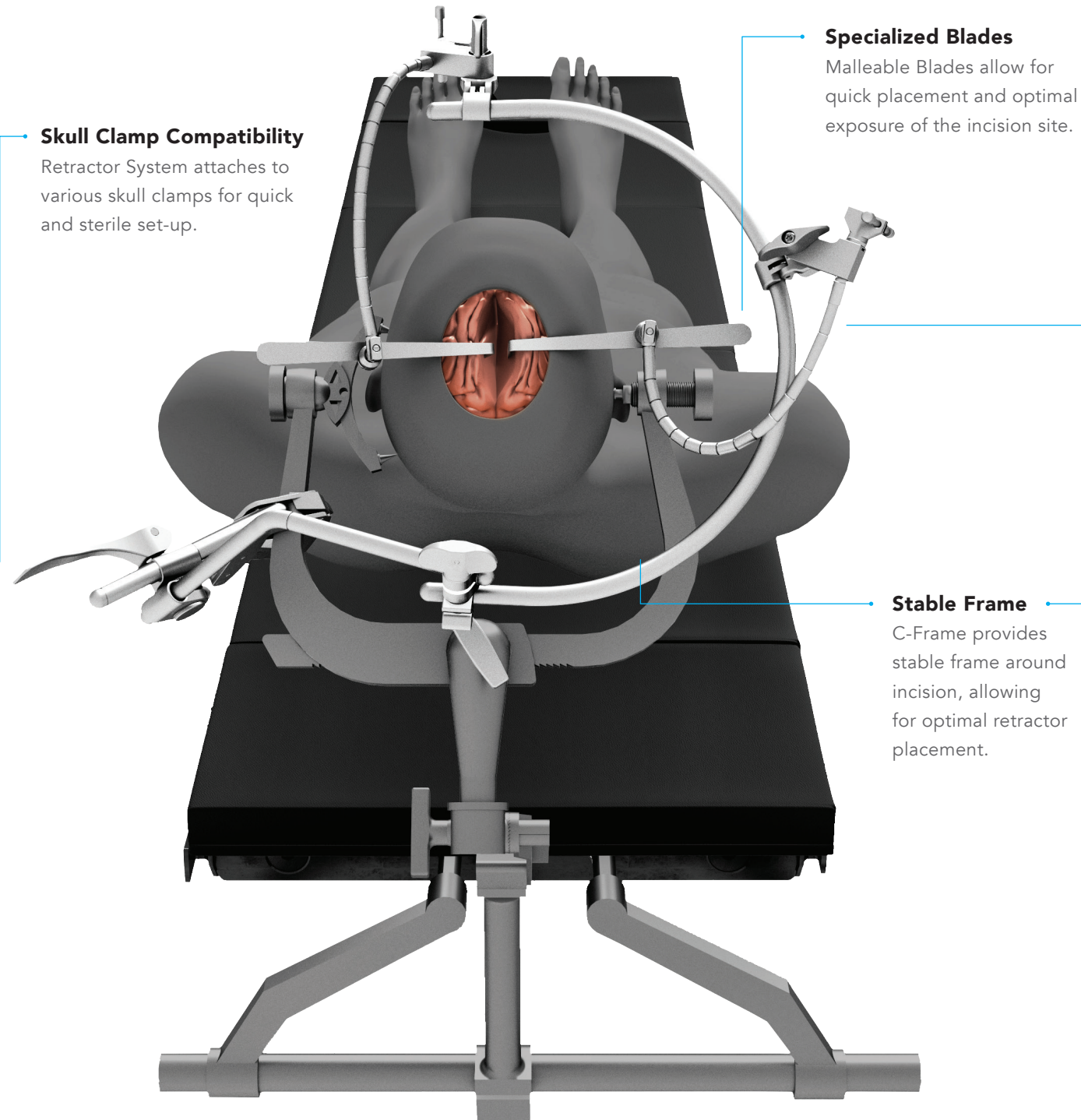
# Thompson Brain Retractor System

## Selection Guide & User Manual



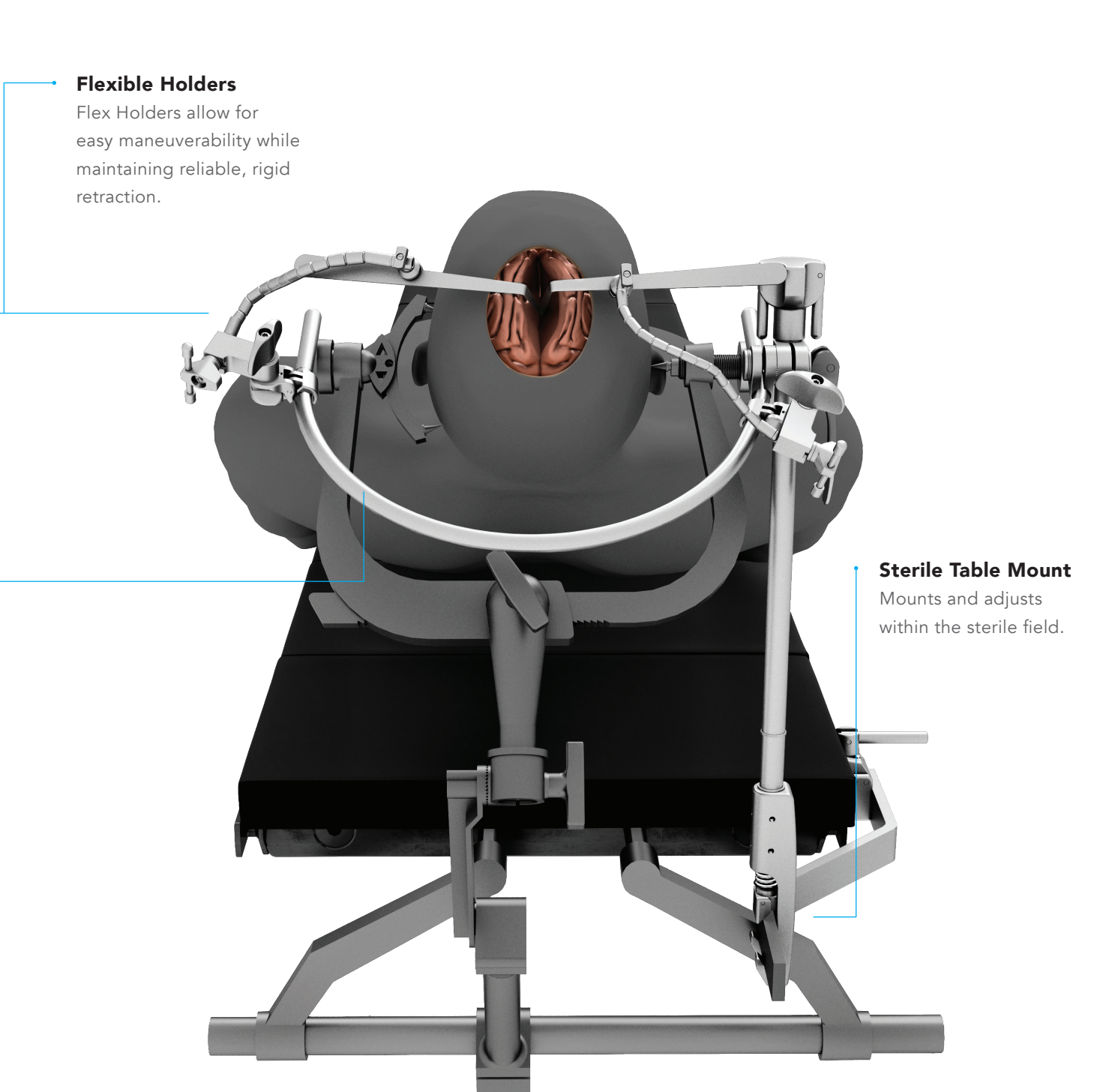
### Brain System – Skull Clamp Mounted

The Thompson Brain Retractor System allows for quick, skull clamp mounted set-up, compatible with most skull clamps. The C-Frame provides stability and virtually unlimited frame positioning based on surgeon preference. With flexible holders, a variety of blades can be attached around the frame, providing exposure for various procedures and patient positioning.



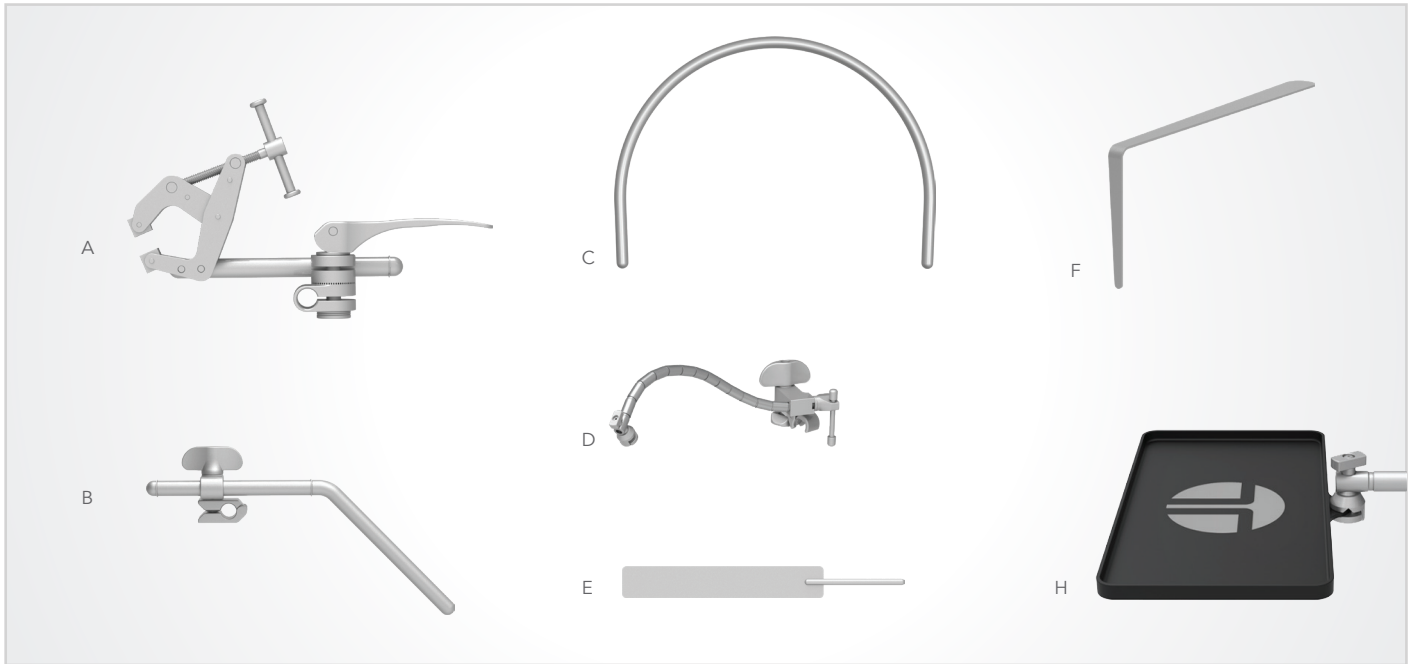
### Brain System – Table Mounted

The Thompson Brain Retractor System allows for quick, table mounted set-up in the sterile field. The C-Frame provides stability and virtually unlimited frame positioning based on surgeon preference. With flexible holders, a variety of blades can be attached around the frame, providing exposure for various procedures and patient positioning.



## Brain System – Skull Clamp Mounted

### COMPONENTS

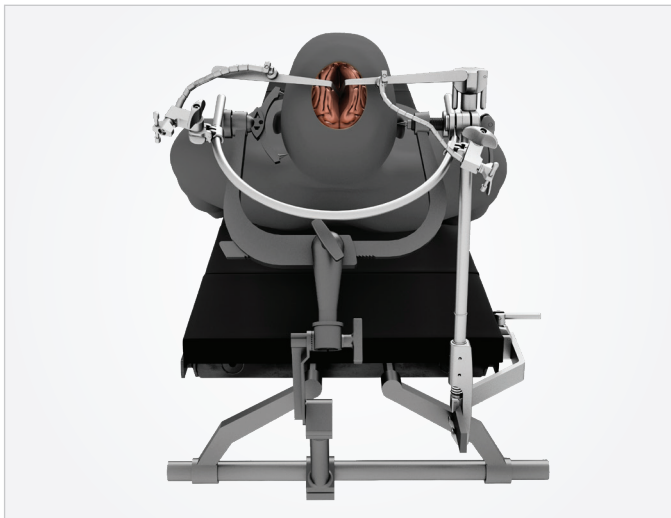
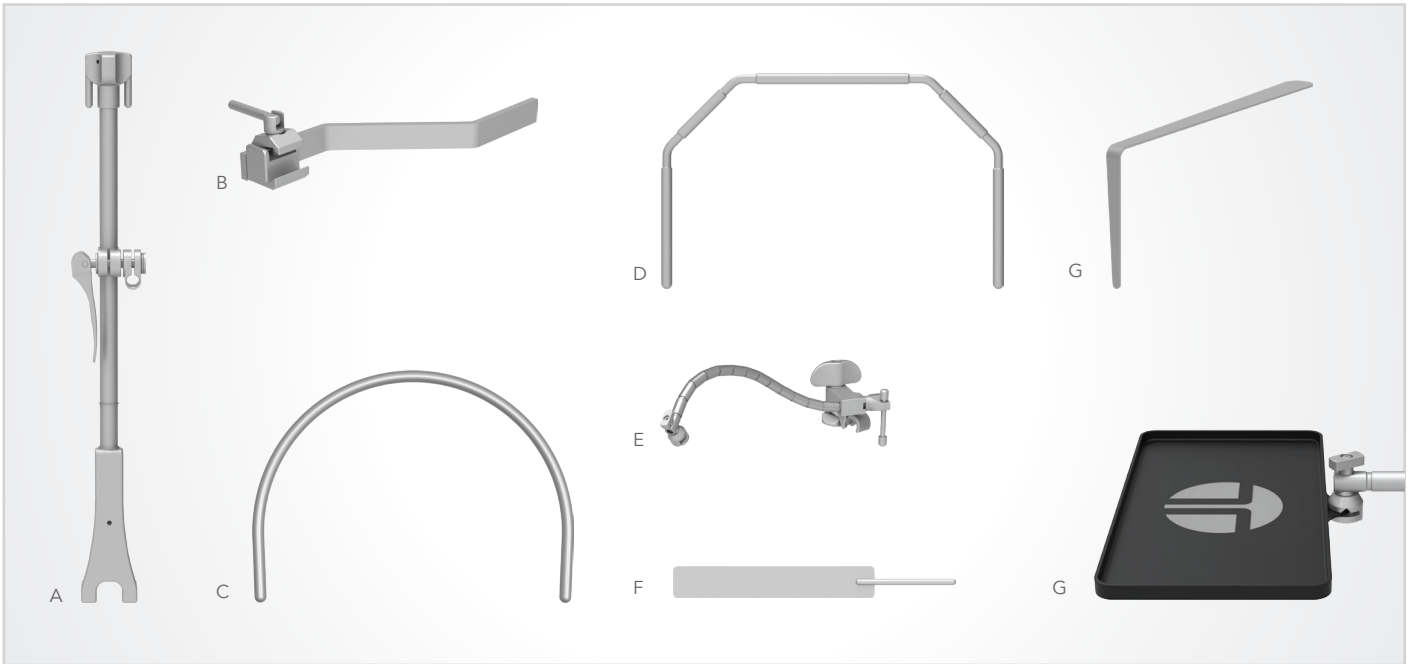


\*Skull clamp not included.

REF	PART #	ITEM DESCRIPTION	QTY
<b>Tray 1</b>			
A	44232	Skull Clamp Mount w/ Cam Joint	1
B	44012H	Extension Arm 12" with Spring Hinge Joint	1
C	44225	C Frame 13 1/2"	1
D	42140SP	Flx Holder Clip-On Screwdown	4
E	47110	Brain Retractor 6mmx102mm	1
	47111	Brain Retractor 9mmx102mm	1
	47112	Brain Retractor 16mmx102mm	1
	47113	Brain Retractor 19mmx102mm	1
F	47114	Brain Retractor 25mmx102mm	1
	47116	Malleable Tapered Blade 1/4" x 3/4"	1
	47117	Malleable Tapered Blade 5/32" x 5/8"	1
	47118	Malleable Tapered Blade 1/8" x 1/2"	1
G	47119	Malleable Tapered Blade 3/32" x 3/8"	1
	47120	Malleable Tapered Blade 1/16" x 1/4"	1
	50000G	Instrument Case (23" x 11" x 3 1/2")	1
G	44223	Pattie Tray 4" x 6"	1

## Brain System – Table Mounted

### COMPONENTS



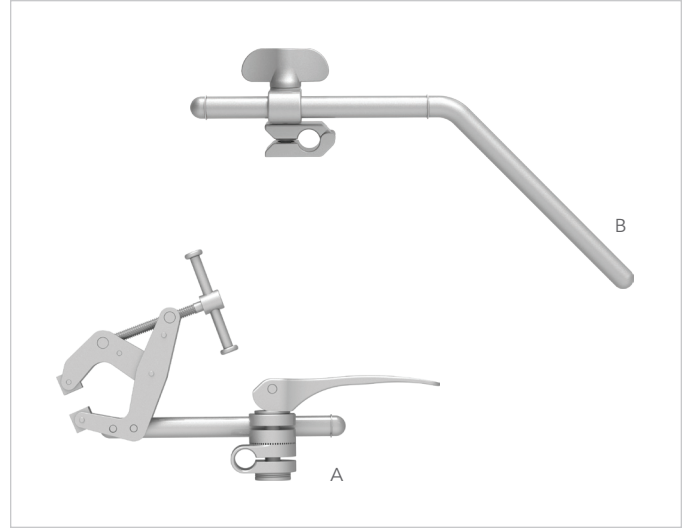
\*Skull clamp not included.

REF	PART #	ITEM DESCRIPTION	QTY
<b>Tray 1</b>			
A	43902AC	Elite III Rail Clamp with 1 Cam Joint 18"	1
B	44231	Rail Extender 15" with Jog	1
C	44225	C Frame 13 1/2"	1
D	44230	U Frame 10" x 15 1/2"	1
E	42140SP	Flx Holder Clip-On Screwdown	4
	47110	Brain Retractor 6mmx102mm	1
	47111	Brain Retractor 9mmx102mm	1
F	47112	Brain Retractor 16mmx102mm	1
	47113	Brain Retractor 19mmx102mm	1
	47114	Brain Retractor 25mmx102mm	1
	47116	Malleable Tapered Blade 1/4" x 3/4"	1
	47117	Malleable Tapered Blade 5/32" x 5/8"	1
G	47118	Malleable Tapered Blade 1/8" x 1/2"	1
	47119	Malleable Tapered Blade 3/32" x 3/8"	1
	47120	Malleable Tapered Blade 1/16" x 1/4"	1
	50000G	Instrument Case (23" x 11" x 3 1/2")	1
H	44223	Pattie Tray 4" x 6"	1



### RAIL EXTENDER

ITEM DESCRIPTION	PART #
Rail Extender 15" with Jog	44231



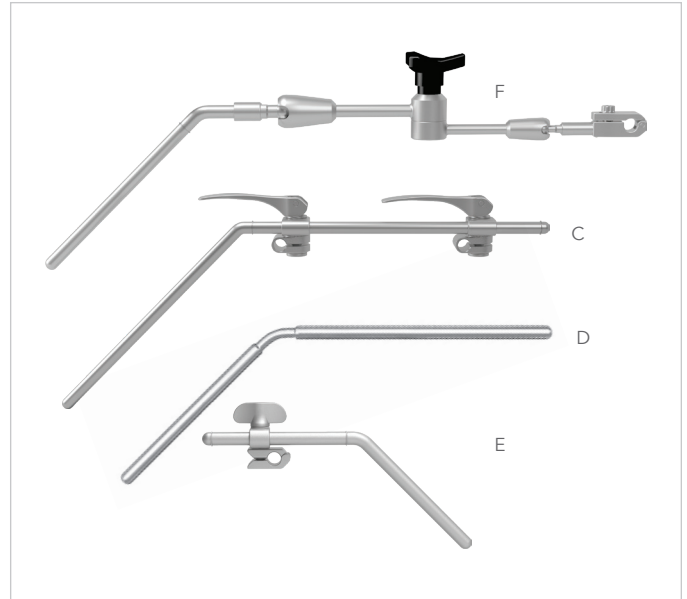
### SKULL CLAMP ATTACHMENT

REF	ITEM DESCRIPTION	PART #
A	Skull Clamp Mount with Cam Joint	44232
B	Extension Arm 12" with Spring Hinge Joint	44012H



### ELITE III RAIL CLAMP

ITEM DESCRIPTION	PART #
18" (45cm) with 1 Cam Joint	43902AC



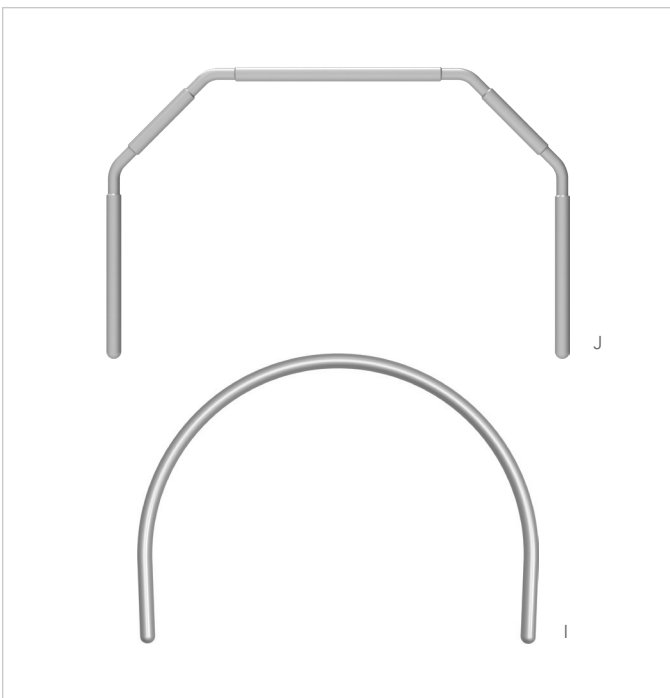
### ARMS

REF	ITEM DESCRIPTION	PART #
C	Crossbar with 2 Cam Joints 24" (11" x 13")	43900BC
D	Angled Lateral Arm 18" (8" x 10")	44118N
E	Extension Arm 12" with Spring Hinge Joint	44012H
F	Extension Arm with Fixed Hinge Joint	44615FH



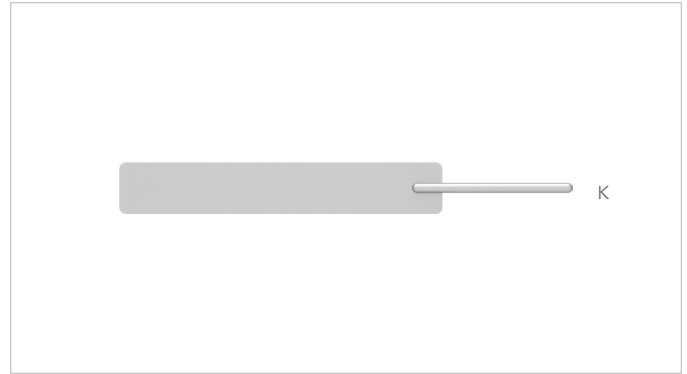
**MINI FLEX ARMS**

REF	ITEM DESCRIPTION	PART #
G	Flex Holder Clip-On Screw Down	42140SP
H	Flexible Blade Holder Cam	42140C



**FRAMES**

REF	ITEM DESCRIPTION	PART #
I	C Frame 13 1/2"	44225
J	U Frame 10" x 15 1/2"	44230



**BRAIN RETRACTOR BLADES**

REF	ITEM DESCRIPTION	PART #
	Brain Retractor 6mm x 102mm	47110
	Brain Retractor 9mm x 102mm	47111
K	Brain Retractor 16mm x 102mm	47112
	Brain Retractor 19mm x 102mm	47113
	Brain Retractor 25mm x 102mm	47114



**MALLEABLE TAPERED BLADES**

REF	ITEM DESCRIPTION	PART #
	Malleable Tapered Blade 1/4" x 3/4" x 9"	47116
L	Malleable Tapered Blade 5/2" x 5/8" x 9"	47117
	Malleable Tapered Blade 1/8" x 1/2" x 9"	47118
	Malleable Tapered Blade 3/2" x 3/8" x 9"	47119
	Malleable Tapered Blade 1/6" x 1/4" x 9"	47120

**ACCESSORIES**




ITEM DESCRIPTION	PART #
Pattie Tray 4" x 6"	44233



# USER MANUAL

Thompson Brain Retractor System

## Brain Retractor System User Manual

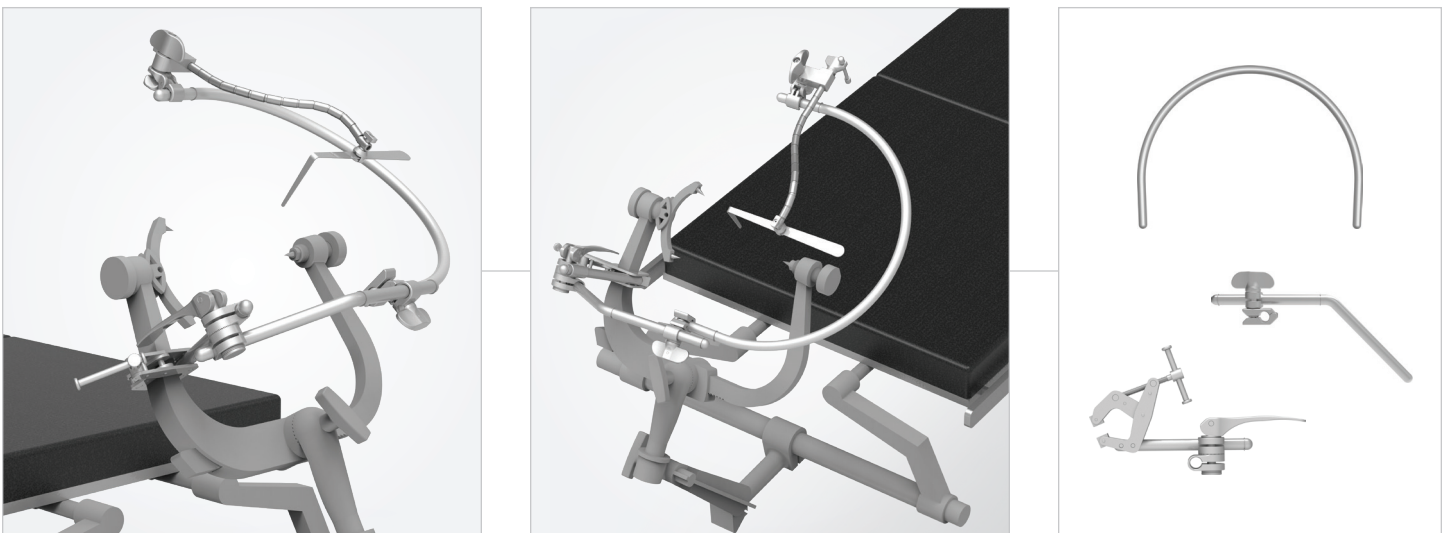
-  **CAUTION:** Avoid compressing the patient's body with frame components to prevent nerve damage.
-  **DO NOT** allow for electrocautery instrumentation to contact metal retractor blades to avoid transferring unwanted electrical currents to the patient.
-  **Thompson Surgical retractor systems and accessories are supplied non-sterile. Refer to Thompson Retractor IFU for cleaning, sterilization, and care instructions.**

Reference the Thompson Retractor IFU for additional warnings and cautions.

For other Thompson Retractor Systems, reference corresponding User Manual for each.

**INDICATIONS FOR USE:** The Thompson Brain Retractor Table Mounted and Skull Clamp Mounted Systems are indicated for self-retaining retraction of soft tissue during neurological procedures to provide surgical access and exposure. The Thompson Brain Retractor Systems also allow attachment for applicable accessories and function as a hand-rest for the surgeon.

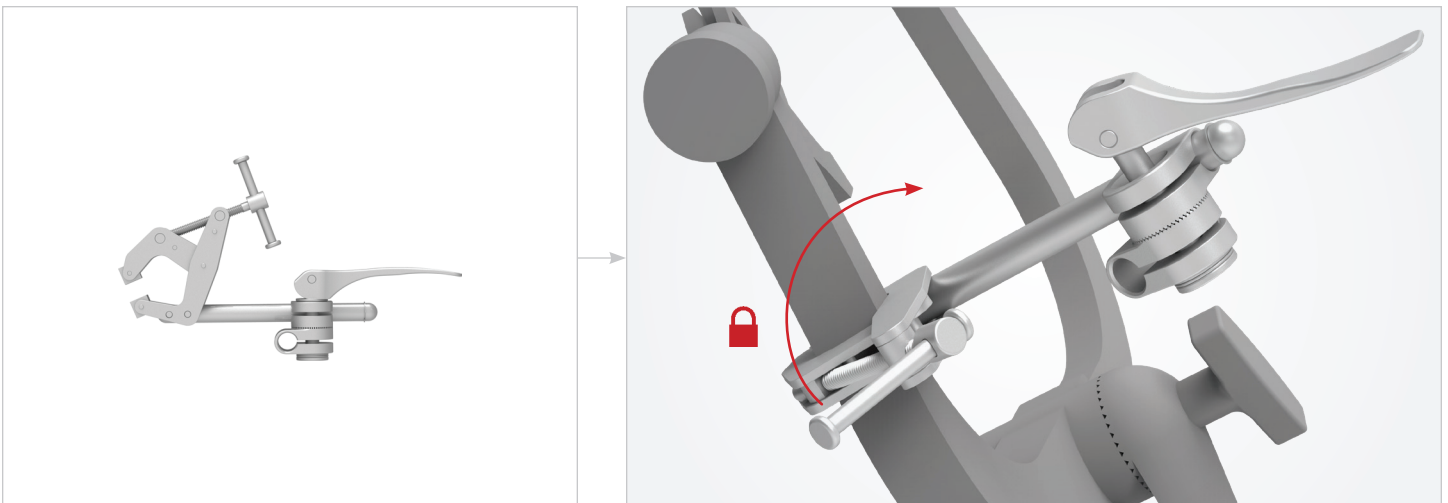
## Skull Clamp Attachment Instructions



### STEP 1: ATTACH SKULL CLAMP MOUNT

Place the Skull Clamp Mount on to the skull clamp over the sterile drape and turn the knob clockwise to tighten. Test with slight force to ensure attachment is secure before continuing with set up. Once secured, positioning of the additional frame components may continue.

**NOTE:** Skull Clamp Mount is **NOT** compatible with all skull clamps. **DO NOT** use without checking compatibility with skull clamp before use. Always check attachment of Skull Clamp Mount to the Skull Clamp before continuing with set up.

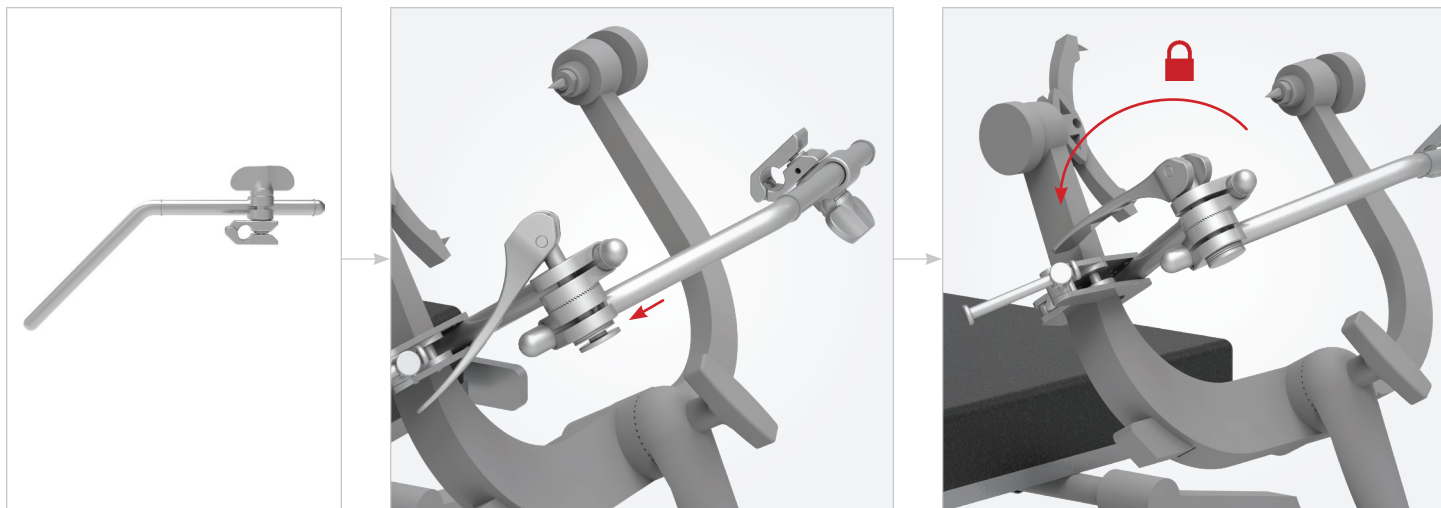




## Skull Clamp Attachment Instructions ( Continued )

### STEP 2: ATTACH EXTENSION ARM

Insert Extension Arm into cam joint on the Skull Clamp Mount, position as desired, and flip cam joint handle to secure in place.

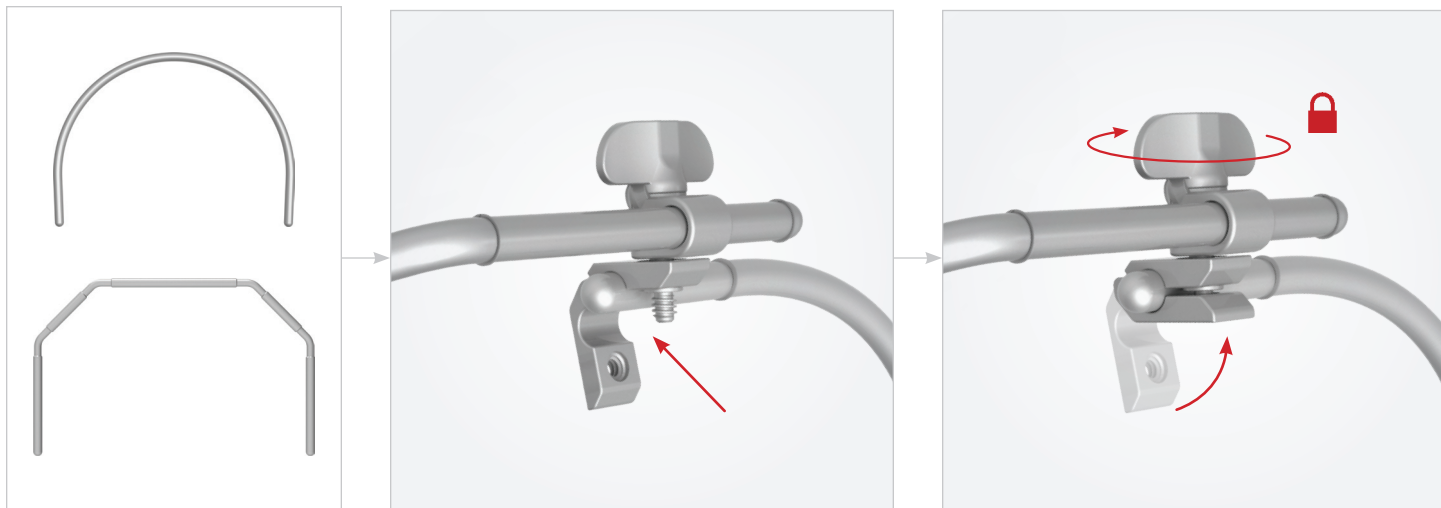


### STEP 3: ATTACH FRAME




Place C Frame or U Frame (curved or straight) into the Spring Hinge Joint, flip the hinge to closed position. Twist joint knob and make sure threads engage, continue to twist until joint is tight and frame is locked in place.

**NOTE: Latch joint can be fixed anywhere on C Frame or U Frame.**

**NOTE: Do not attempt to adjust Skull Clamp Attachment arm position with frame components attached unless supporting the weight of the frame components with a hand.**



## Brain Retractor System User Manual

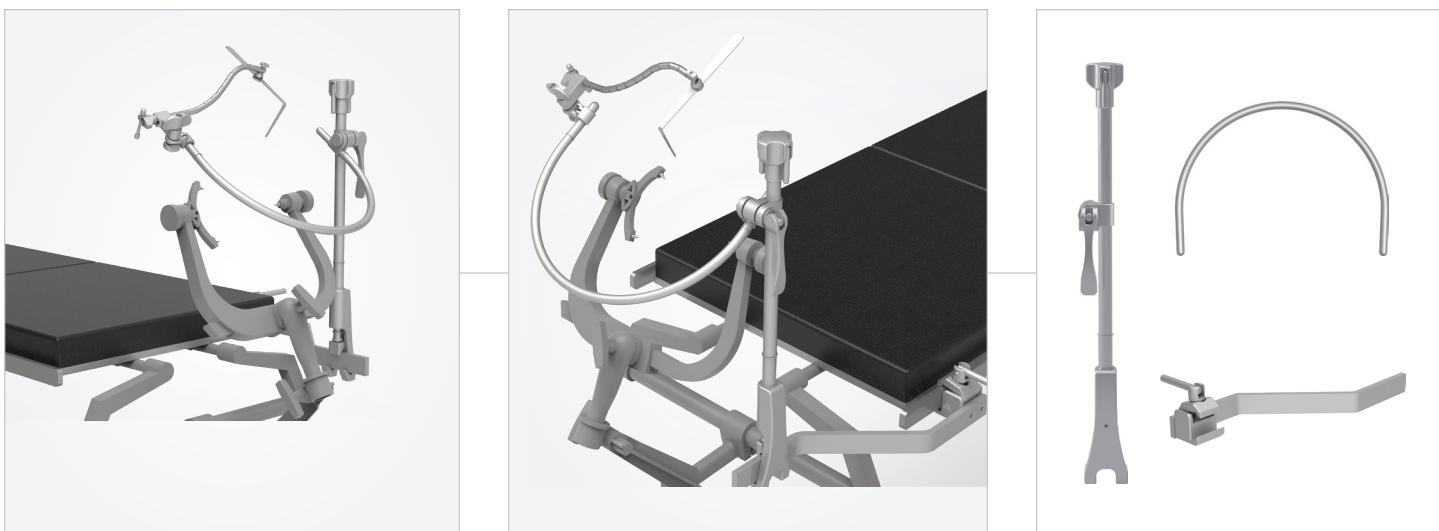
-  **CAUTION:** Avoid compressing the patient's body with frame components to prevent nerve damage.
-  **DO NOT** allow for electrocautery instrumentation to contact metal retractor blades to avoid transferring unwanted electrical currents to the patient.
-  **Thompson Surgical retractor systems and accessories are supplied non-sterile. Refer to Thompson Retractor IFU for cleaning, sterilization, and care instructions.**

Reference the Thompson Retractor IFU for additional warnings and cautions.

For other Thompson Retractor Systems, reference corresponding User Manual for each.

**INDICATIONS FOR USE:** The Thompson Brain Retractor Table Mounted and Skull Clamp Mounted Systems are indicated for self-retaining retraction of soft tissue during neurological procedures to provide surgical access and exposure. The Thompson Brain Retractor Systems also allow attachment for applicable accessories and function as a hand-rest for the surgeon.

### Table Mounted Attachment Instructions



#### STEP 1: RAIL EXTENDER

Place Rail Extender on to the rail over the sterile drape and turn knob clockwise to tighten. Once secured a Thompson rail clamp may be added.

**NOTE:** Rail extender is for attachment of Thompson Retractors only. **DO NOT** use with other retractors as it may not be compatible.



## Table Mounted Attachment Instructions ( Continued )

### STEP 2: ELITE RAIL CLAMP

Place Elite onto the Thompson Rail Extender or onto rail over sterile drape and turn top knob clockwise to tighten.

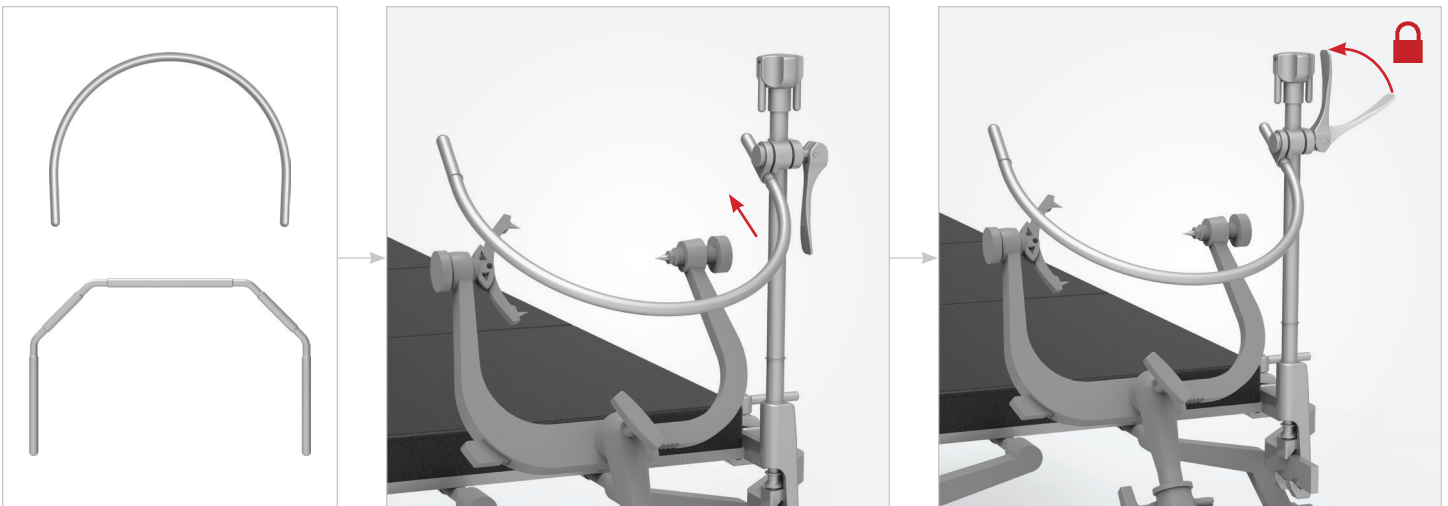
**NOTE: Do not attempt to adjust height of Cam Joint on the Elite Rail Clamp with frame components attached unless supporting the weight of the frame components with a hand.**



### STEP 3: ATTACH FRAME

Place C Frame or U Frame (curved or straight) into the joint on the Elite Rail Clamp, position, and flip cam joint handle to lock.

**NOTE: C Frame will not slide through joint past straight portion on end.**

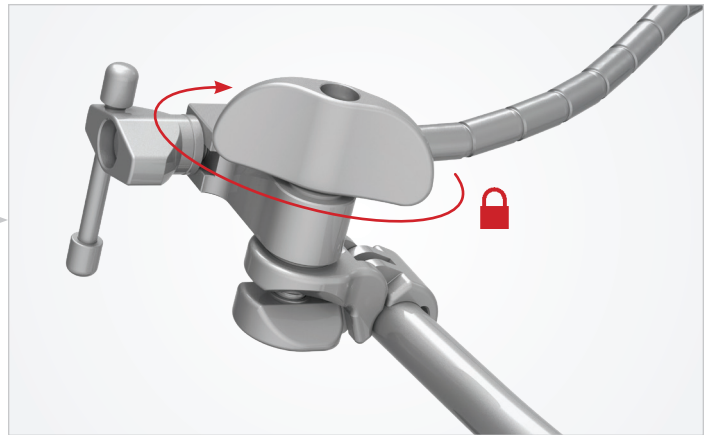
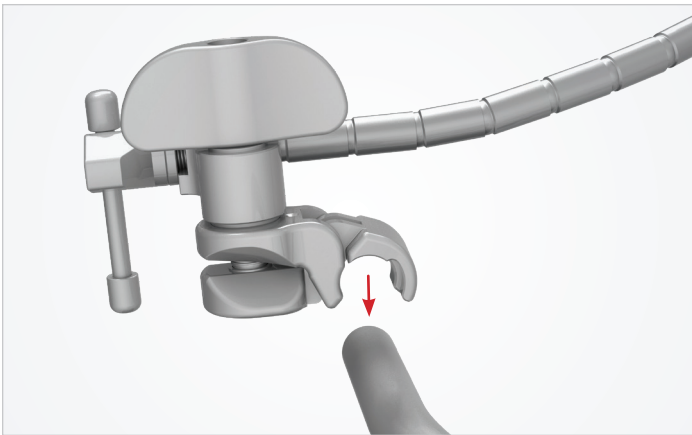


## Flex Holder + Blades Set Up Instructions



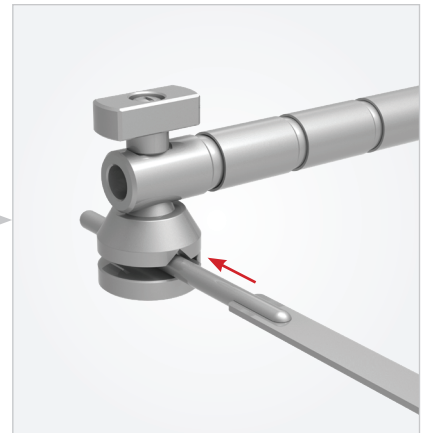
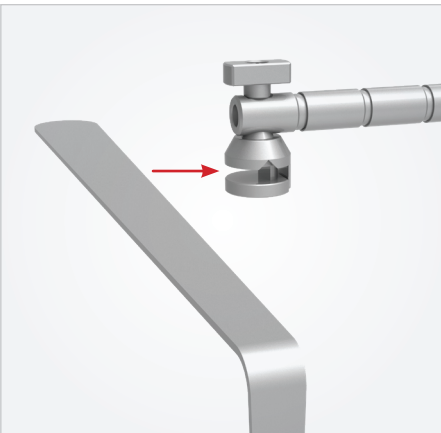
### CLIP ON FLEX HOLDER ATTACHMENT

With joint fully loosened, clip to frame in desired location. Turn knob clockwise to secure in place.



### BLADE ATTACHMENT

Position blade in desired location in clamp at the end of the Flex Holder. Turn knob clockwise, securing tightly to lock in place. For blades with rod, place rod in groove of Flex Holder clamp and tighten.

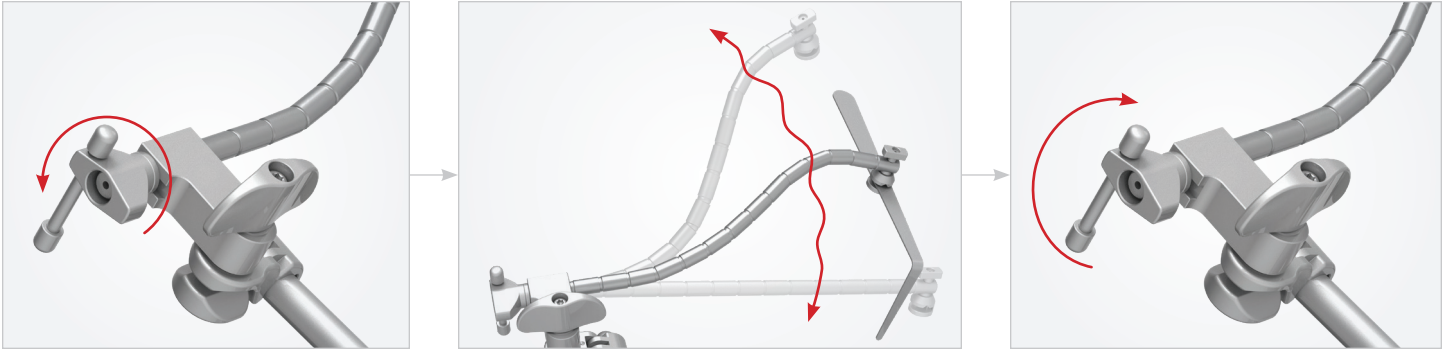


## Flex Holder + Blades Set Up Instructions ( Continued )

### POSITIONING FLEX HOLDER

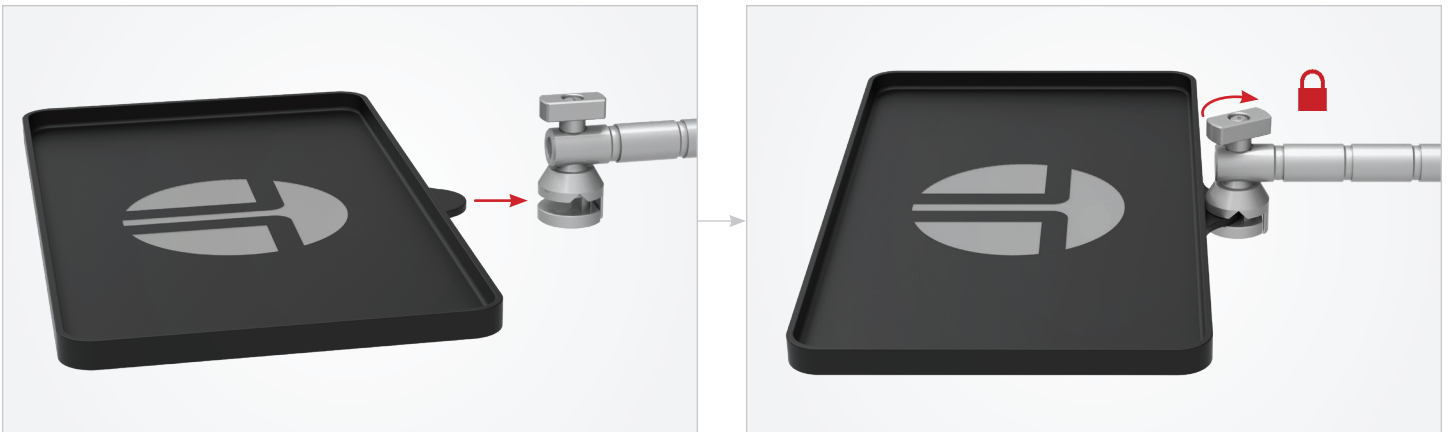
With knob fully loosened, position Flex Holder in desired location. Tighten knob to lock Flex Holder in place. Use tightening rod for extra grip, as necessary. Do not overtighten, only use as much force as necessary to achieve adequate exposure and access.

**NOTE: Relax retraction of tissues periodically to limit the potential for tissue ischemia / injury.**



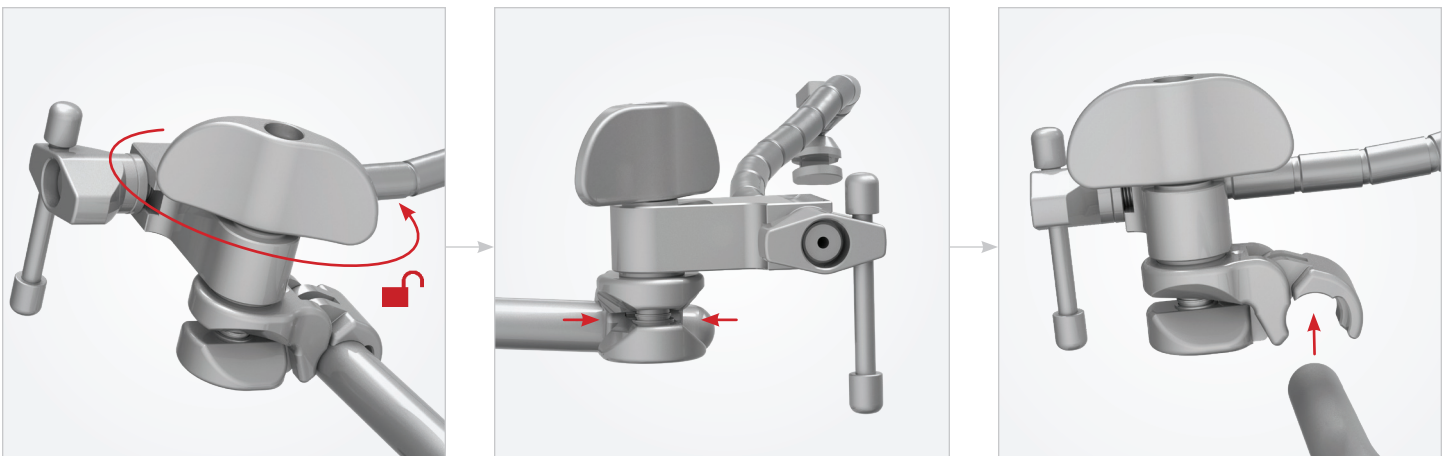
### PATTIE TRAY ATTACHMENT

Position Pattie Tray in desired location in clamp at the end of the Flex Holder. Turn knob clockwise, securing tightly to lock in place.



### CLIP ON FLEX HOLDER REMOVAL

Turn joint knob counter-clockwise to loosen completely, pinch back of joint with thumb and index finger, and gently lift off of arm.



For a Free Trial Call Today\*

**1.800.227.7543**

Rev A  
050923  
brsgum



**Uncompromised Exposure™**

VISIT US ONLINE: [THOMPSONSURGICAL.COM](http://THOMPSONSURGICAL.COM)

## CONTACT

### Address

**Thompson Surgical Instruments, Inc.**  
10341 E Cherry Bend Rd.  
Traverse City, MI 49684  
USA

### Phone + Fax

**Toll Free** 1-800-227-7543  
**Phone** 231-922-0177  
**Fax** 231-922-0174

### Online

**Email** [contact@thompsonsurgical.com](mailto:contact@thompsonsurgical.com)  
**Website** [www.thompsonsurgical.com](http://www.thompsonsurgical.com)

### Social



**Thompson**  
SURGICAL INSTRUMENTS

**Made In  
USA**

\* Free trial valid for U.S. customers only. Customers outside the U.S.A., please call +1-231-922-0177 for availability.

© 2021 Thompson Surgical Instruments, Inc.

© S-Lock®, PLA®, and the "T Circle" logomark are Registered Trademarks of Thompson Surgical Instruments, Inc.  
Patents: [trpat.com](http://trpat.com).

Note: As we continually strive to provide the best products possible, some of the images in this document may appear slightly different from the product received.