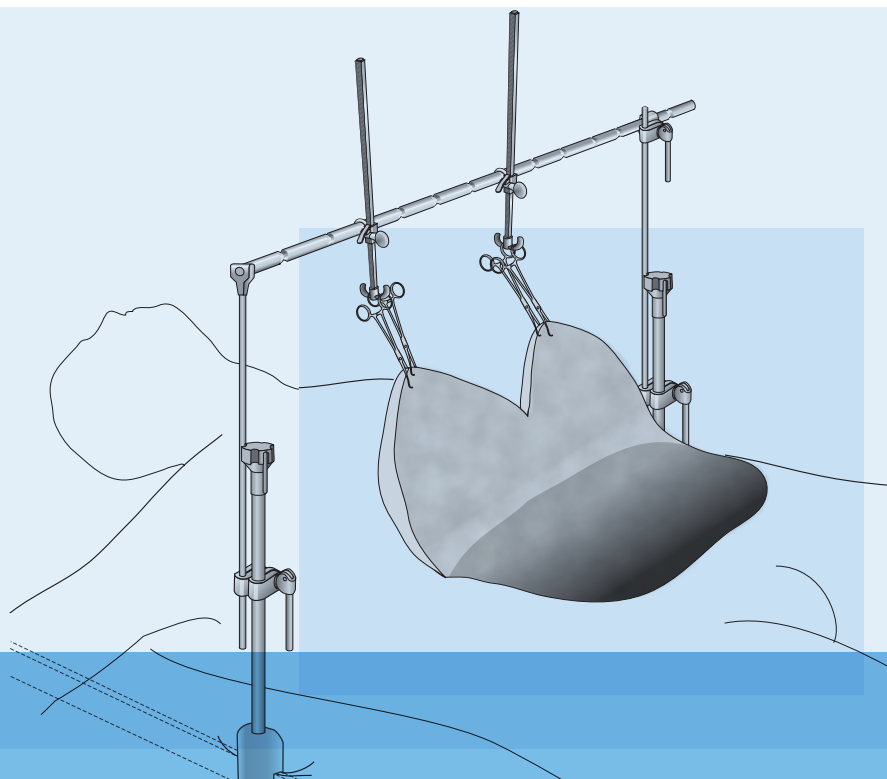
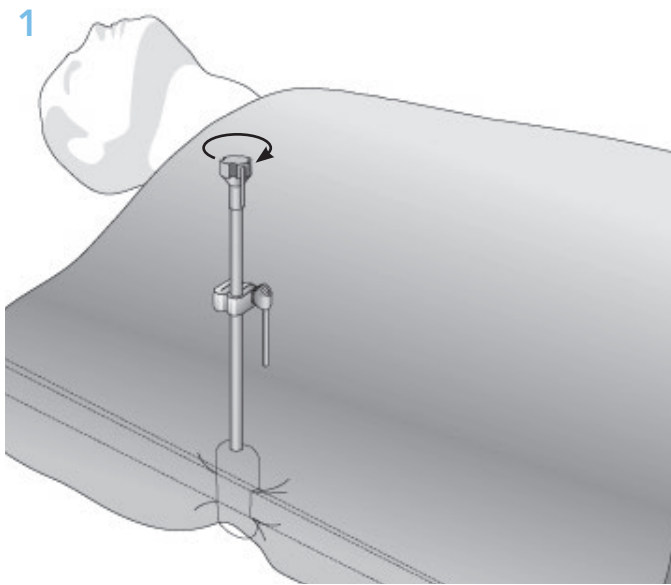


Body Contouring
System
User Manual

Thompson Retractor 

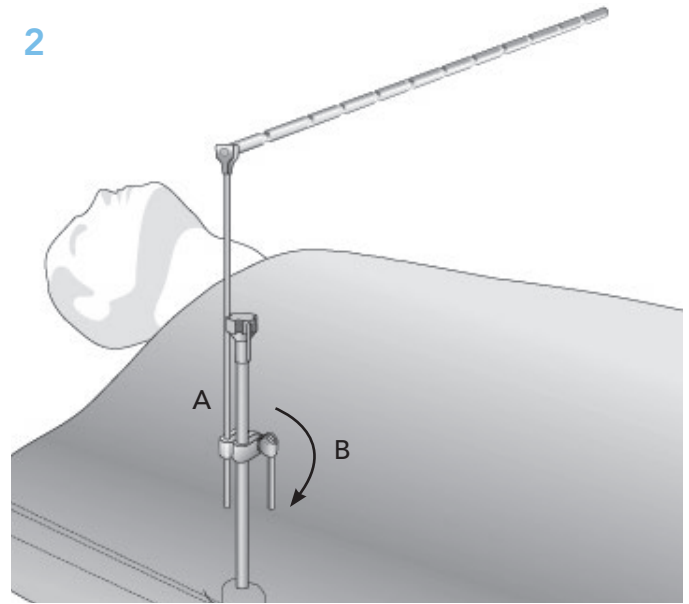


Uncompromised Exposure.



STEP 1

Opposite the surgeon, at the patient's nipple line, secure the Elite II Rail Clamp over the sterile drape to the OR table.



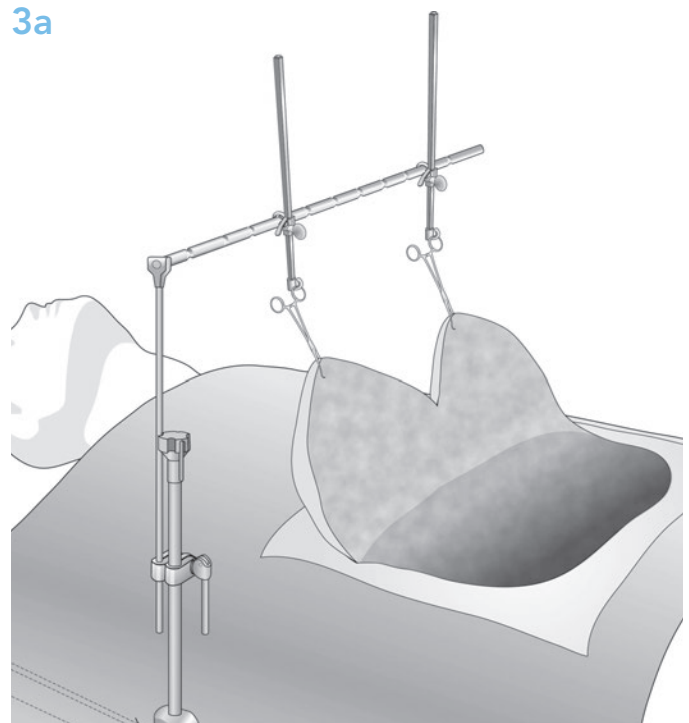
STEP 2

- A** Insert the Collapsible Grooved Rod (#44734) into the Elite II Rail Clamp's cam joint with the grooved portion in the horizontal position.
- B** Position the rod and lock into position actuating by the cam joint handle, pressing it tight, and closing it completely.



STEP 3

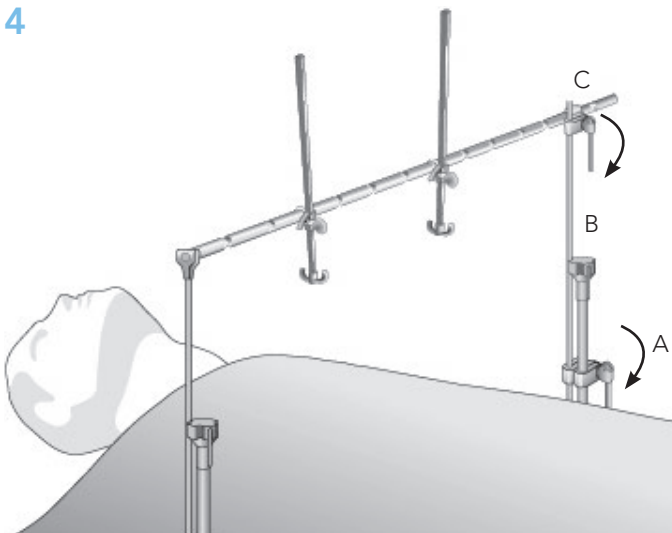
Slide the Towel Clip Cranks over the grooved rod.



STEP 3a

For unilateral setup (pannus weighing less than 25lbs), skip step 4 and go to step 5. For bilateral setup (pannus weighing 25lbs or more), continue to step 4.

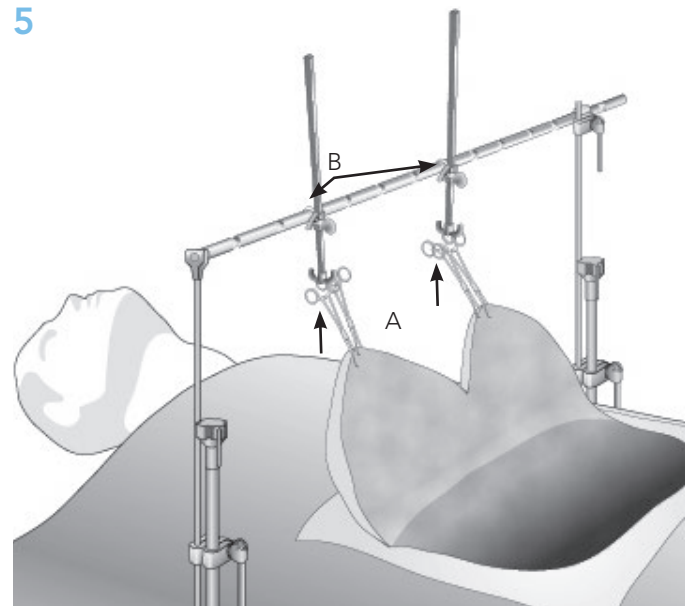
4



STEP 4

- A Attach the second Elite II Rail Clamp on the opposite side of the OR table.
- B Insert the Straight Arm with Cam Joint (#44120C) into the Elite II Rail Clamp's cam joint in a vertical position.
- C Attach the Straight Arm to the grooved rod with the attached cam joint. Lock into place by actuating the handle and pressing it tight.

5



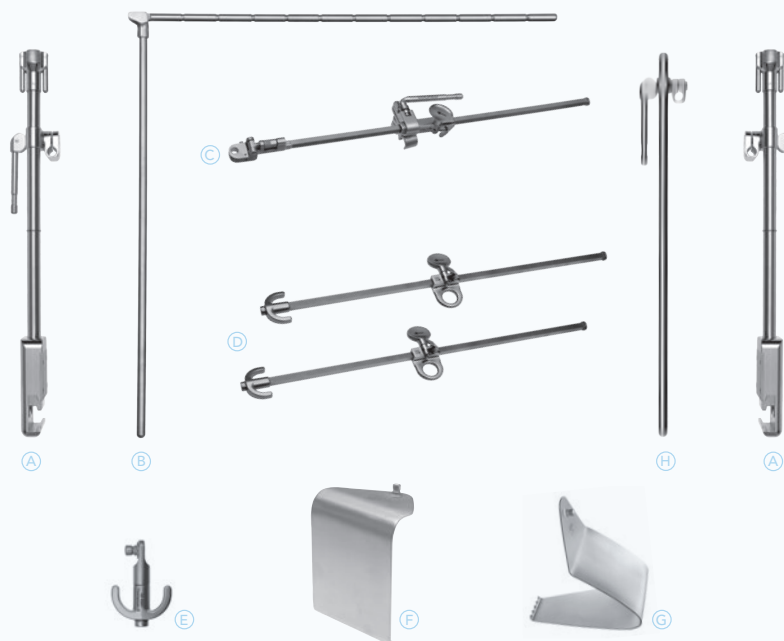
STEP 5

- A Attach perforating towel clips to pannus as needed and loop the finger rings over the Towel Clip Crank hooks.
- B Retract as needed by turning the Towel Clip Crank's knobs.

Add retractors as needed.

CAUTION: Release retractors every 20 minutes to prevent tissue necrosis.

Please refer to the Thompson Cleaning and Sterilization Manual for complete cleaning and sterilization instructions.



BODY CONTOURING SYSTEM

QTY.	ITEM DESCRIPTION	PART #
Body Contouring System		80043
(A)	1 Elite II Rail Clamp with 1 Cam Joint 22"	41904AC
(B)	1 Collapsible 90° Rod with Grooves	44734
(C)	1 Micro-Adjustable II Clip-on Angling 18"	45007P
(D)	2 Towel Clip Crank	35028
(E)	1 Towel Clip Hook	48001
(F)	1 Fence 102mm x 102mm (4" x 4")	46134
(G)	1 Tummy Tuck 76mm x 140mm (3" x 5 1/2")	46400
	1 Instrument Case 26" x 10" x 5"	50000BL
	1 Angling Head Wrench	43032

BILATERAL EXPANSION KIT*

QTY.	ITEM DESCRIPTION	PART #
Bilateral Expansion Kit*		80044
(A)	1 Elite II Rail Clamp with 1 Cam Joint 22"	41904AC
(H)	1 Straight Arm with 1 Cam Joint 20" (50cm)	44120C

**The Bilateral Expansion Kit is recommended for pannus weighing over 25 lbs. and offers greater stability*

 **Thompson**
SURGICAL INSTRUMENTS
10341 East Cherry Bend Road
Traverse City, Michigan 49684
phone: 231.922.0177
fax: 231.922.0174
thompsonsurgical.com

EC REP

Emergo Europe

Westervoortsedijk 60
6827 AT Arnhem
THE NETHERLANDS

* Free trial valid for U.S. customers only. International customers please call for more information.

© 2017 Thompson Surgical Instruments, Inc. Traverse City, Michigan.

® S-Lock®, PLA®, and the "T Circle" logomark are Registered Trademarks of Thompson Surgical Instruments, Inc.

Patents: US4971038, US5025780, US5888197, US5897087, US5902233, US5984865, US6033363, US6416465, US6511423,

US7338442, US7749163, US8257255, US8360971, US8617064

Other patents pending.

CE0297

Made In
USA